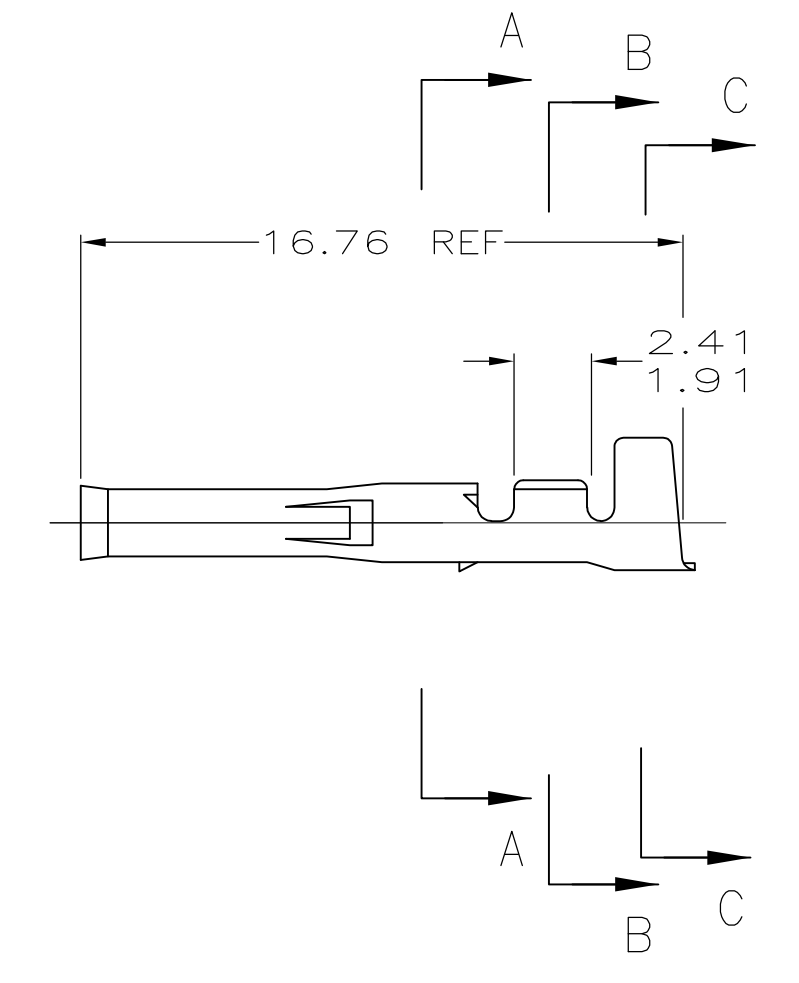
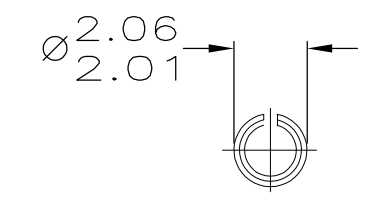
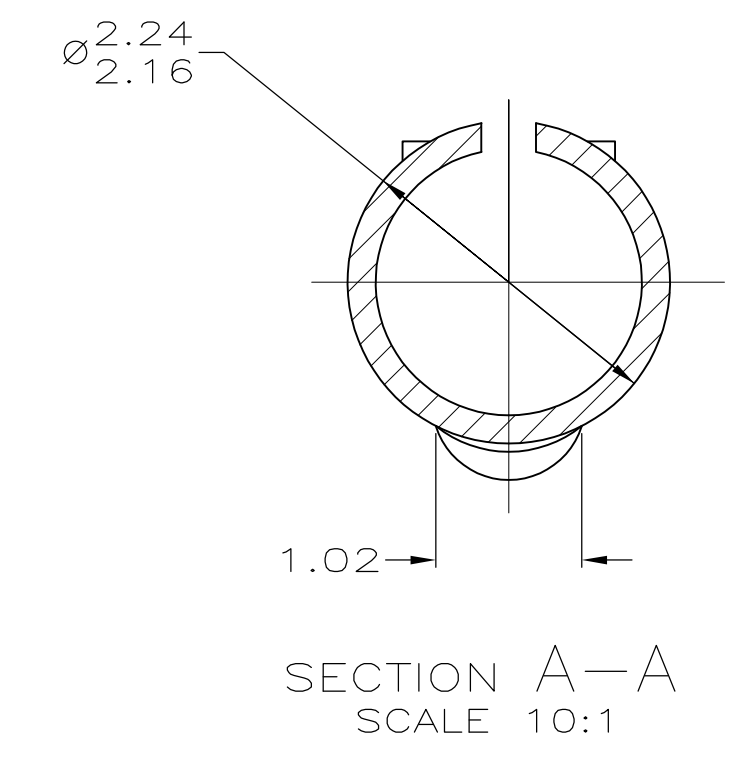
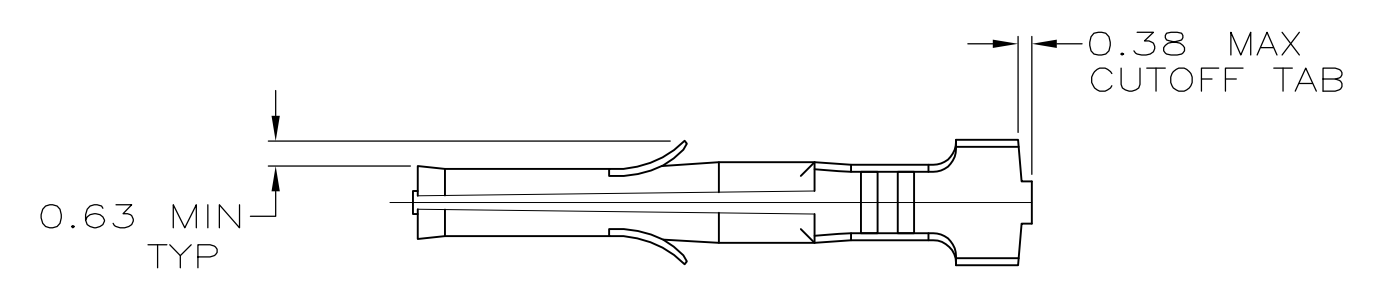
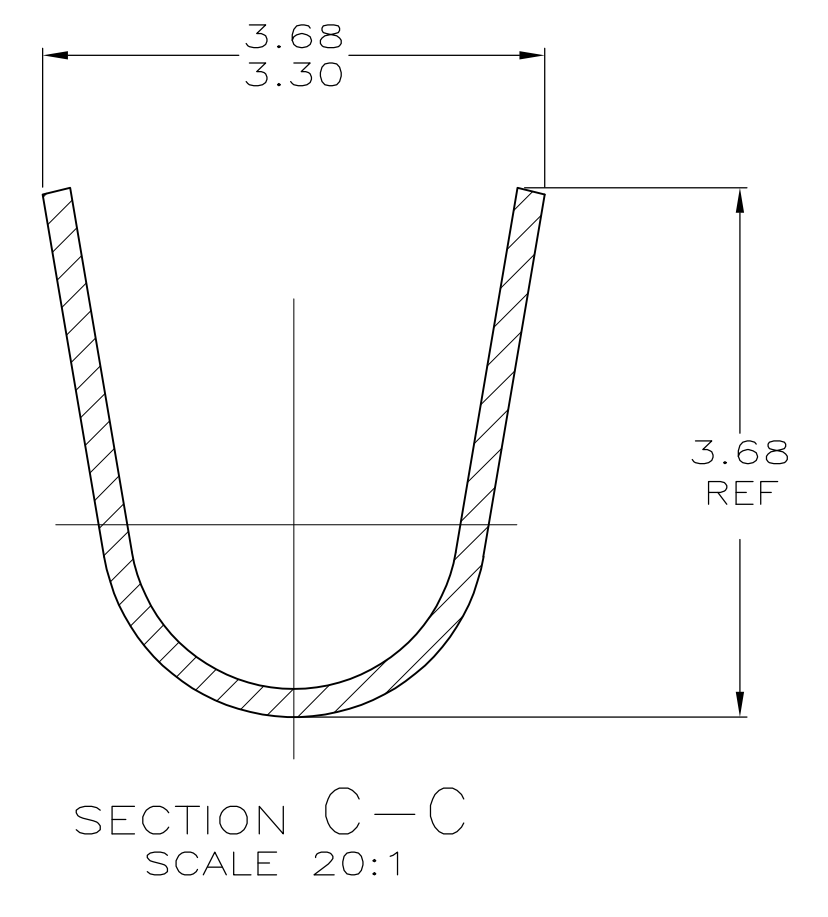
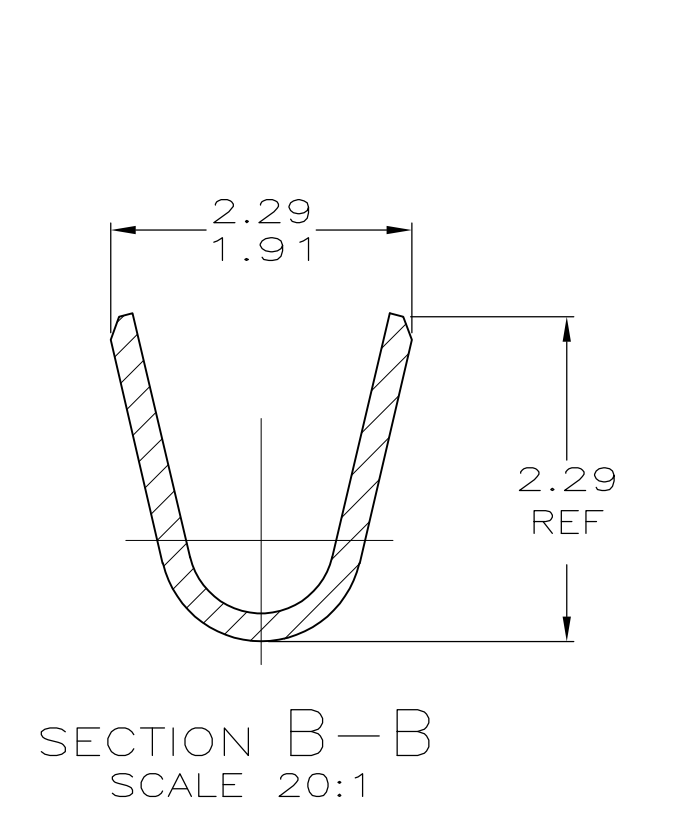


LOC		DIST		REVISIONS			
P	LTR	DESCRIPTION	DATE	DWN	APVD		
P		REVISED PER ECO-11-004917	11MAR11	RK	HMR		



MM	IN
16.76	.660
3.68	.145
3.30	.130
2.79	.110
2.41	.095
2.29	.090
2.24	.088
2.16	.085
2.06	.081
2.01	.079
1.91	.075
1.27	.050
1.02	.040
0.63	.025
0.38	.015
0.20	.008
0.13	.005
MM	IN

CONVERSION TABLE

METRIC

PRE-TIN	0.20 BRASS	1.27-2.79	0.2 - 0.9 mm <sup>2</sup> (24-18 AWG)	794016-1
FINISH	MATERIAL	INSULATION DIAMETER	WIRE RANGE	PART NO
THIS DRAWING IS A CONTROLLED DOCUMENT.		DWN L. SMITH 7-14-93	TE Connectivity	
DIMENSIONS: MM(INCHES)		CHK R. SWING 7-14-93	NAME	
0 PLC ± - 2 PLC ± - 3 PLC ± 0.13 4 PLC ± - ANGLES ± (°) 30°		APVD C. CASH 7-15-93	.062 SOCKET, LOOSE PIECE, COMMERCIAL PIN & SOCKET	
MATERIAL SEE TABLE	FINISH SEE TABLE	WEIGHT -	SIZE A1	CAGE CODE 00779
CUSTOMER DRAWING		SCALE 5:1	SHEET 1	OF 1