

VAL-US-120/40-P - Type 1 surge protection plug



2910335

<https://www.phoenixcontact.com/us/products/2910335>

Please be informed that the data shown in this PDF document is generated from our online catalog. Please find the complete data in the user documentation. Our general terms of use for downloads are valid.



UL Recognized type 1 SPD and IEC type 2 surge protection plug with a varistor and thermal disconnect for use with VAL-US base elements, mechanical and visual fault warning

Product description

Surge protective device replacement plug

Commercial data

Item number	2910335
Packing unit	1 pc
Sales key	CL18
Product key	CL1321
Catalog page	Page 92 (C-4-2019)
GTIN	4055626444475
Weight per piece (including packing)	40 g
Weight per piece (excluding packing)	33 g
Customs tariff number	85363030
Country of origin	DE

VAL-US-120/40-P - Type 1 surge protection plug

2910335

<https://www.phoenixcontact.com/us/products/2910335>

Technical data

Notes

General	Used in:
---------	----------

Product properties

IEC test classification	II
	T2
EN type	T2
Type	Male
Product type	Replacement plug
Product family	VALVETRAB MS
Number of positions	1
Surge protection fault message	optical

Insulation characteristics

Overvoltage category	III
Pollution degree	2

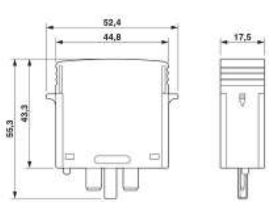
Electrical properties

Nominal frequency f_N	50 Hz (60 Hz)
-------------------------	---------------

Connection data

Connection method	VALVETRAB plug-in system
-------------------	--------------------------

Dimensions

Dimensional drawing	
Width	17.5 mm
Height	52.4 mm
Depth	55.3 mm
Horizontal pitch	1 Div.

Material specifications

Flammability rating according to UL 94	V-0
CTI value of material	600
Insulating material	PA 6.6/PBT
Material group	I
Housing material	PA 6.6
	PBT

VAL-US-120/40-P - Type 1 surge protection plug



2910335

<https://www.phoenixcontact.com/us/products/2910335>

Protective circuit

Mode of protection	L-N
	L-PEN
	N-PE
Direction of action	1L-N/PE
Nominal voltage U_N	120/208 V AC
	120/240 V AC
Nominal frequency f_N	50 Hz (60 Hz)
Maximum continuous voltage U_C	175 V AC
Residual current I_{PE}	$\leq 450 \mu\text{A}$
Standby power consumption P_C	$\leq 400 \text{ mVA}$
Nominal discharge current I_n (8/20) μs	20 kA
Maximum discharge current I_{max} (8/20) μs	40 kA
Short-circuit current rating I_{SCCR}	25 kA
Voltage protection level U_p	$\leq 0.9 \text{ kV}$
Residual voltage U_{res}	$\leq 0.8 \text{ kV}$ (at I_n)
	$\leq 0.7 \text{ kV}$ (at 10 kA)
	$\leq 0.6 \text{ kV}$ (at 5 kA)
	$\leq 0.5 \text{ kV}$ (at 3 kA)
TOV behavior at U_T	208 V AC (5 s / withstand mode)
	229 V AC (120 min / withstand mode)
Max. backup fuse with branch wiring	100 A (gG)

Additional technical data

Maximum discharge current I_{max} (8/20) μs	40 kA
---	-------

Environmental and real-life conditions

Ambient conditions

Degree of protection	IP20
Ambient temperature (operation)	-40 °C ... 80 °C
Ambient temperature (storage/transport)	-40 °C ... 80 °C
Altitude	$\leq 2000 \text{ m}$ (amsl)
Permissible humidity (operation)	5 % ... 95 %
Shock (operation)	25g (Half-sine / 11 ms / 3x $\pm X$, $\pm Y$, $\pm Z$)
Vibration (operation)	5g (10 ... 500 Hz / 2.5 h / X, Y, Z)

Approvals

UL specifications

Maximum continuous operating voltage MCOV	175 V AC
Short-circuit current rating (SCCR)	200 kA
Voltage protection rating VPR	700 V
UL type	type 1
Nominal discharge current I_n	20 kA

VAL-US-120/40-P - Type 1 surge protection plug



2910335

<https://www.phoenixcontact.com/us/products/2910335>

Maximum Surge Current per Phase	40 kA
Mode of protection	L-N
	L-G
	N-G
Nominal voltage	120/240 V AC
Power distribution system	Single phase
Nominal frequency	50/60 Hz
SPD Type	1CA

Standards and regulations

Air clearances and creepage distances

Standards/regulations	EN 60664-1 / EN 61643-11
Standards/specifications	IEC 61643-11
Note	2011
Standards/specifications	EN 61643-11
Note	2012

Mounting

Mounting type	on base element
---------------	-----------------

VAL-US-120/40-P - Type 1 surge protection plug

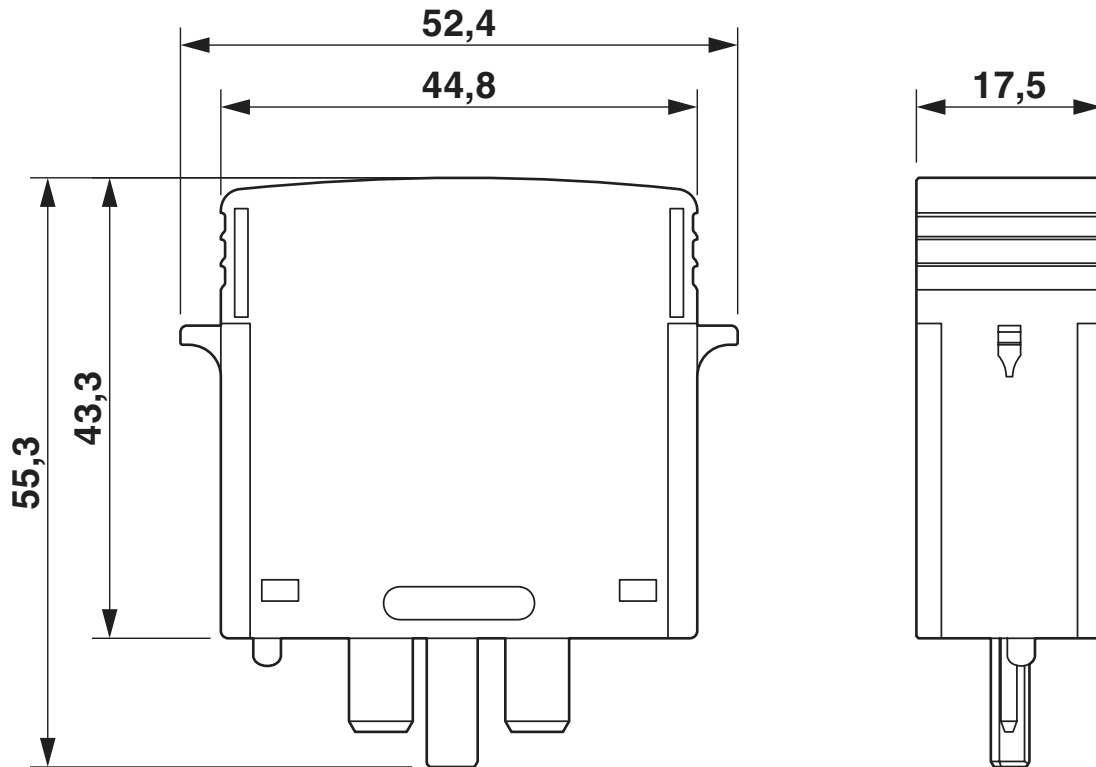
2910335

<https://www.phoenixcontact.com/us/products/2910335>



Drawings

Dimensional drawing



Circuit diagram



VAL-US-120/40-P - Type 1 surge protection plug



2910335

<https://www.phoenixcontact.com/us/products/2910335>

Approvals

To download certificates, visit the product detail page: <https://www.phoenixcontact.com/us/products/2910335>



cUL Recognized
Approval ID: FILE E 330181



UL Recognized
Approval ID: FILE E 330181

cULus Recognized

VAL-US-120/40-P - Type 1 surge protection plug



2910335

<https://www.phoenixcontact.com/us/products/2910335>

Classifications

ECLASS

ECLASS-11.0	27130890
ECLASS-13.0	27171292

ETIM

ETIM 8.0	EC002496
----------	----------

UNSPSC

UNSPSC 21.0	39121600
-------------	----------

VAL-US-120/40-P - Type 1 surge protection plug



2910335

<https://www.phoenixcontact.com/us/products/2910335>

Environmental product compliance

China RoHS	Environmentally friendly use period: unlimited = EFUP-e
	No hazardous substances above threshold values

VAL-US-120/40-P - Type 1 surge protection plug

2910335

<https://www.phoenixcontact.com/us/products/2910335>

Accessories

VAL-US-120/40/1+0-FM - Type 1 surge protection device

2910348

<https://www.phoenixcontact.com/us/products/2910348>



Surge protective device, single channel with remote indicator contact for 120 V AC

VAL-US-120/40/1+1-FM - Type 1 surge protection device

2910349

<https://www.phoenixcontact.com/us/products/2910349>



Surge protective device, two channel with remote indicator contact for 120 V AC, 2-wire plus ground.

VAL-US-120/40-P - Type 1 surge protection plug

2910335

<https://www.phoenixcontact.com/us/products/2910335>

VAL-US-120/40/2+0-FM - Type 1 surge protection device

2910351

<https://www.phoenixcontact.com/us/products/2910351>



Surge protective device, two channel with remote indicator contact for 120/240 V split phase AC, 3-wire.

VAL-US-120/40/2+1-FM - Type 1 surge protection device

2910352

<https://www.phoenixcontact.com/us/products/2910352>



Surge protective device, three channel with remote indicator contact for 120/240 V split phase AC, 3-wire plus ground.

VAL-US-120/40-P - Type 1 surge protection plug

2910335

<https://www.phoenixcontact.com/us/products/2910335>



VAL-US-120/40/3+0-FM - Type 1 surge protection device

2910353

<https://www.phoenixcontact.com/us/products/2910353>



Surge protective device, three-channel with remote indicator contact for 120/240 V split-phase or 120/208 V Wye three-phase AC, 4-wire.

VAL-US-120/40/3+1-FM - Type 1 surge protection device

2910354

<https://www.phoenixcontact.com/us/products/2910354>



Surge protective device, four channel with remote indicator contact for 120/208 V Wye three phase AC, 4-wire plus ground.

VAL-US-120/40-P - Type 1 surge protection plug

2910335

<https://www.phoenixcontact.com/us/products/2910335>



VAL-US-240HLD/40/3+1-FM - Type 1 surge protection device

2910371

<https://www.phoenixcontact.com/us/products/2910371>



Surge protective device, four channel with remote indicator contact for 240 V AC high-leg DELTA.

Phoenix Contact 2023 © - all rights reserved

<https://www.phoenixcontact.com>

Phoenix Contact USA
586 Fulling Mill Road
Middletown, PA 17057, United States
(+717) 944-1300
info@phoenixcon.com