

MATERIALS AND FINISHES:

SMA JACK STR RP BKHD RM IP68 CONNECTOR:

BODY, JAM NUT, CRIMP TUBE: BRASS
PLATED GOLD

CENTER CONTACT: BERYLLIUM COPPER
PLATED GOLD

LOCK WASHER: PHOSPHOR BRONZE
PLATED GOLD

INSULATOR: TEFLON

GASKET: SILICONE RUBBER

CONNECTOR:

MHF® 4L LK

MATED HEIGHT: 2.00MM MAX

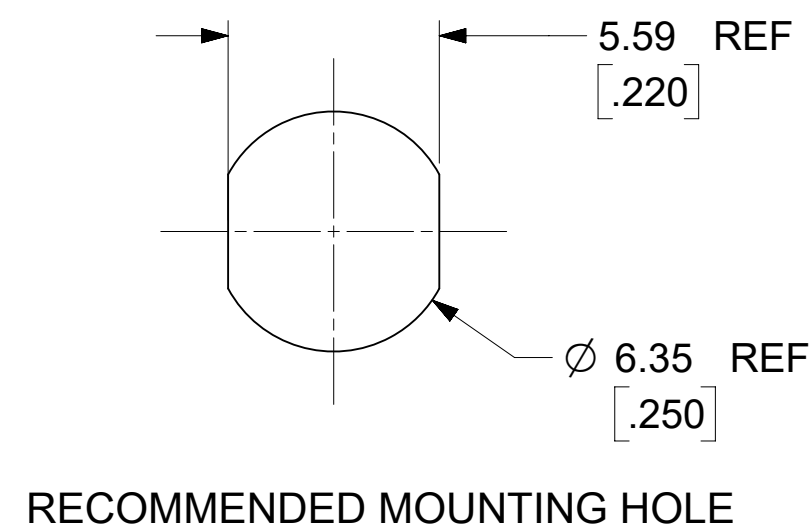
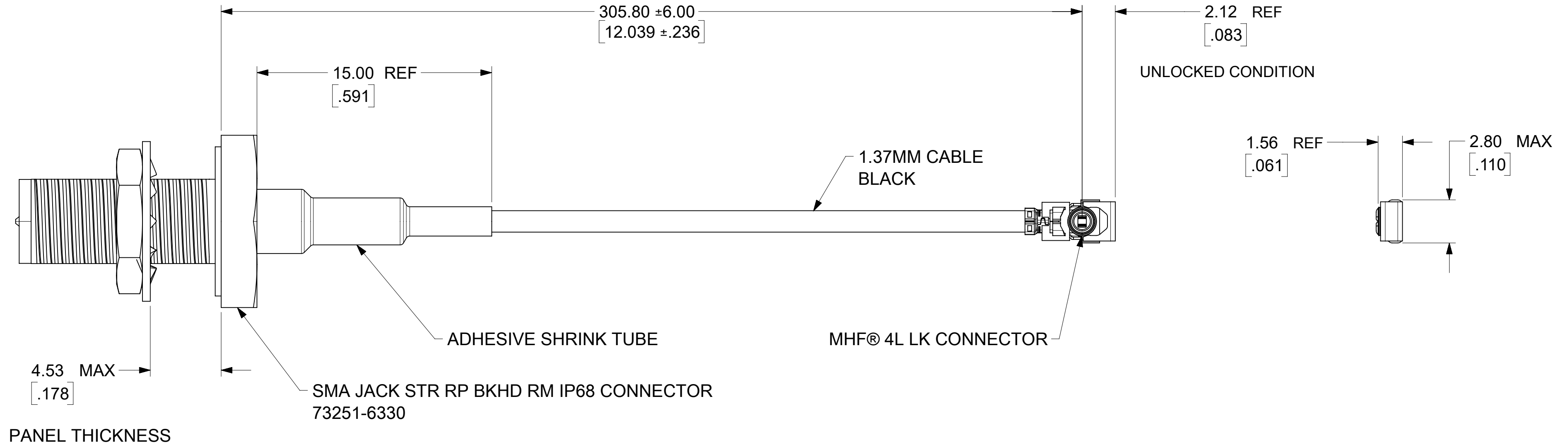
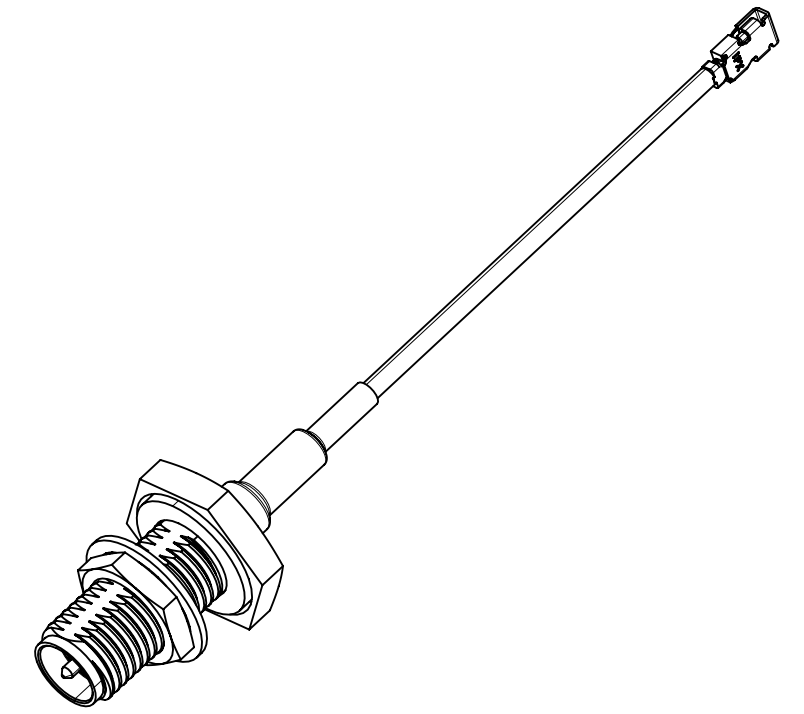
CABLE: 1.37MM CABLE BLACK

NOTES:

PACKAGING BY PLASTIC BAG

PERFORMANCE REQUIREMENTS:

1. FREQUENCY: DC~ 6GHz
2. IMPEDANCE: 50 OHMS
3. TEST 100% CONTINUITY
4. TEST 100% HI-POT: AC 350 V@0.5mA



PART # 73230-6270

FUNCTIONAL SYMBOLS	THIS DRAWING CONTAINS INFORMATION THAT IS PROPRIETARY TO MOLEX ELECTRONIC TECHNOLOGIES, LLC AND SHOULD NOT BE USED WITHOUT WRITTEN PERMISSION										
	DIMENSION UNITS	SCALE	CURRENT REV DESC: NEW RELEASE							molex	
▽A = 0	mm	NTS	EC NO: 721426								
▽E = 0	GENERAL TOLERANCES (UNLESS SPECIFIED)		DRWN: JCHEN108 2022/07/12							PRODUCT CUSTOMER DRAWING	
▽P = 0	ANGULAR TOL ± °		CHK'D: MYLU07 2022/09/19							DOCUMENT NUMBER	
DIVISIONAL SYMBOLS	4 PLACES ±		APPR: LCHEN03 2022/09/22							732306270	
	3 PLACES ±		INITIAL REVISION:							DOC TYPE	
	2 PLACES ±		DRWN: JCHEN108 2022/07/12							PSD	
1 PLACE ±		APPR: LCHEN03 2022/09/22							000		
0 PLACES ±		DRAFT WHERE APPLICABLE MUST REMAIN WITHIN DIMENSIONS		THIRD ANGLE PROJECTION		DRAWING		SERIES		SHEET NUMBER	
		C-SIZE		73230		73230-6270		GENERAL MARKET		1 OF 1	