

## AMC1311EVM Users Guide

The AMC1311 is a precision isolation amplifier with an output separated from the input circuitry by a silicon dioxide (SiO<sub>2</sub>) barrier that is highly resistant to magnetic interference. This barrier has been certified to provide reinforced galvanic isolation of up to 7000 V<sub>PEAK</sub> per DIN V VDE V 0884-11 (VDE V 0884-11): 2017-01.

### Contents

1	Introduction .....	2
1.1	Features .....	2
2	Analog Interface .....	2
2.1	Analog Input .....	2
2.2	Shutdown .....	3
2.3	Analog Output .....	3
3	Power Supplies .....	4
3.1	VDD1 Input .....	4
3.2	VDD2 Input .....	4
4	EVM Operation .....	5
4.1	Isolated Power and Analog Inputs: J1 and J4 .....	5
4.2	User Power and Analog Outputs: J2, J3 and J6 .....	5
4.3	Device Operation .....	6
5	Board Layout .....	6
6	Schematic and Bill of Materials .....	7
6.1	Bill of Materials .....	7
6.2	Schematic .....	8
7	Related Documentation .....	9

### List of Figures

1	AMC1311EVM Schematic – Analog Input Section .....	2
2	AMC1311EVM Schematic – Analog Output Section .....	3
3	VDD1 Input .....	4
4	VDD2 Input Connector .....	4
5	AMC1311 Silk Screen Drawing .....	6
6	AMC1311EVM Schematic .....	8

### List of Tables

1	J1 – Analog Input .....	5
2	J4 - VDD1 Power .....	5
3	J2 – Differential Analog Output .....	5
4	J3 – VDD2 Power .....	5
5	J6 – Single-Ended Analog Output .....	6
6	Bill of Materials .....	7

## Trademarks

All trademarks are the property of their respective owners.

## 1 Introduction

For use in high-resolution voltage measurement applications, the high-impedance input of the AMC1311 is optimized for connection to high-voltage resistive dividers or other voltage signal sources with high output resistance.

Throughout this document, the abbreviation EVM and the term evaluation module are synonymous with the AMC1311EVM.

### 1.1 Features

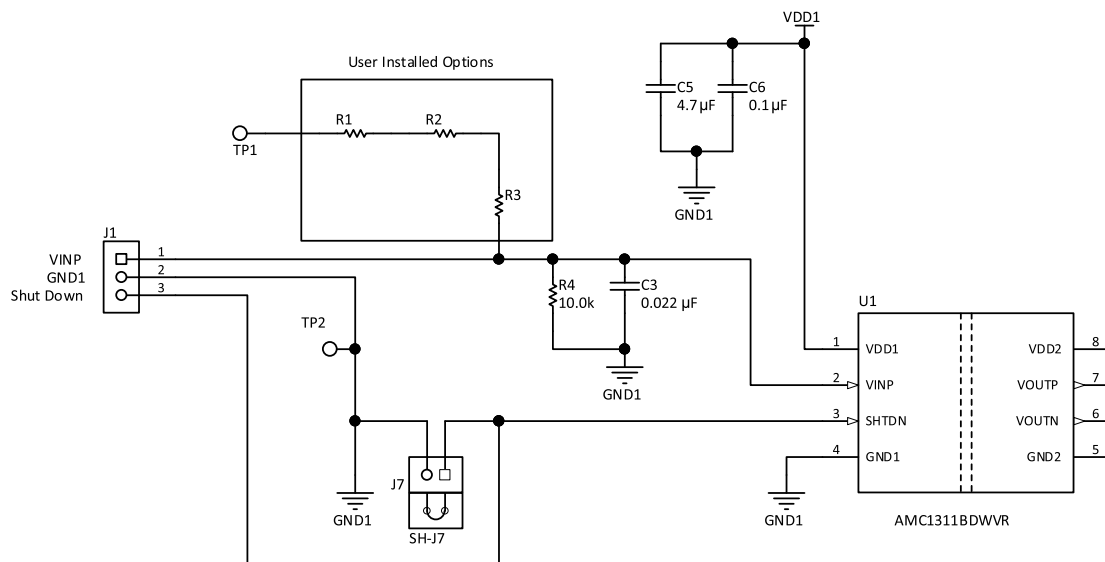
- Full-featured Evaluation Module for the AMC1311 single-channel precision isolation amplifier.
- Screw terminals for easy access to analog inputs and outputs.
- Transformer and rectifiers to provide an isolated 5-V source to VDD1.
- Differential to Single-ended output option.

## 2 Analog Interface

The analog input to the AMC1311 is routed from a three-wire screw terminal screw at J1.1 which provides access to the VINP terminal. A test point, TP1 is also provided along with pads for 1206 size user installed series resistors R1, R2 and R3 to create a voltage divider circuit for the input to the AMC1311. The analog input is referenced to J1.2 or TP2.

### 2.1 Analog Input

The default analog input to the AMC1311EVM board is comprised of R4 and C3 which form a simple anti-aliasing filter with a corner frequency of 723 Hz. The input circuit for the AMC1311 is shown in [Figure 1](#). Using a signal generator or other voltage source, the user can apply an input signal directly to J1 pin 1. The maximum voltage input to the AMC1311 via J1.1 is 2 V referenced to J1.2 or TP2.



Copyright © 2017, Texas Instruments Incorporated

**Figure 1. AMC1311EVM Schematic – Analog Input Section**

With user installed resistor options R1 through R3, an external voltage source can be applied between TP1 and GND1 via J1.2 or TP2. As depicted in Figure 1, with R4 installed as 10 kΩ, resistors R1 through R3 can be chosen according to Equation 1:

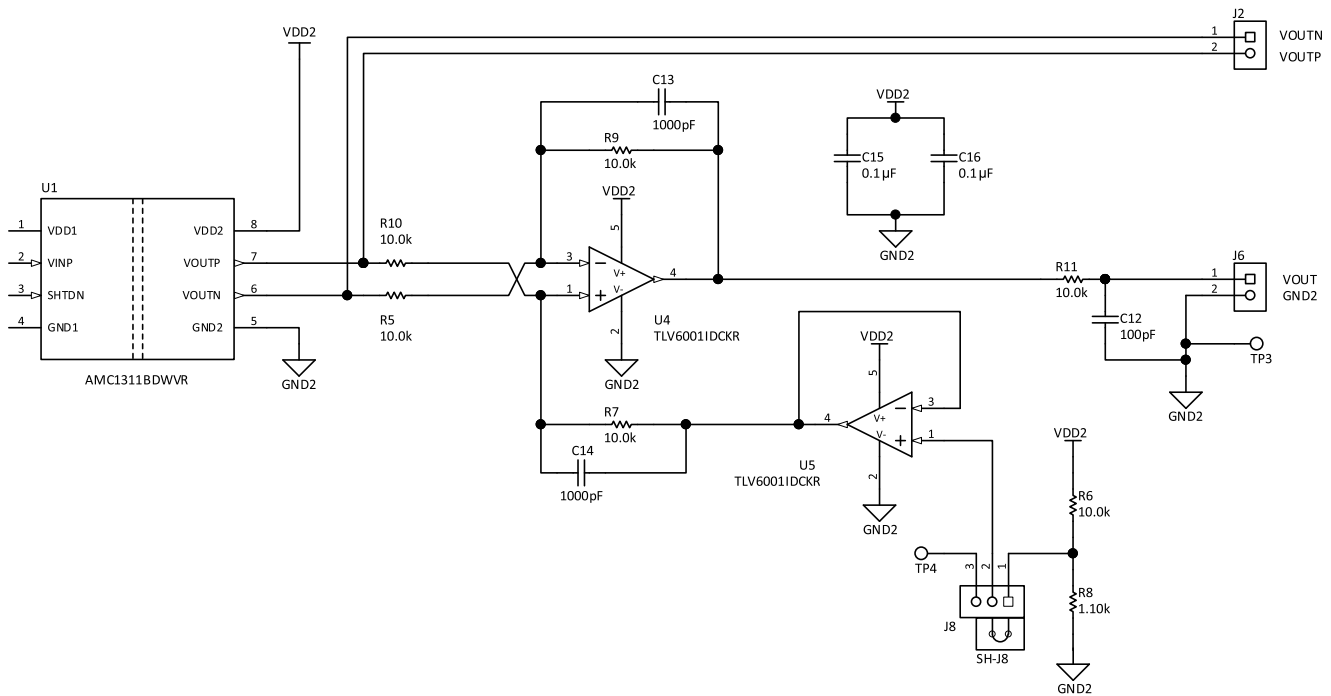
$$R1 + R2 + R3 = \frac{V_{TP1} - V_{INP}}{V_{INP}} \times R4 \tag{1}$$

## 2.2 Shutdown

The AMC1311 features a shutdown option which is an active high input. Shunt jumper SH-J7 is installed by default and allows for normal operation of the AMC1311 device. When the shunt jumper is removed, the AMC1311 enters into a low power mode by means of an internal pullup resistor for battery or other power sensitive applications. For external shutdown operation, J1.3 provides access to the SHTDN pin when shunt SH-J7 is removed.

## 2.3 Analog Output

The analog output from the AMC1311EVM board is a fully differential signal centered at 1.44 V. The differential output of U1 is available on the two screw terminals of J2 as shown below in Figure 2. U4 and U5 provide the user with a single-ended version of the analog output on J6 pin 1. U5 is designed to provide bias voltage to the difference amplifier configuration of U4. The single ended output provides unity gain with an output voltage swing from 0.5 V to 2.5 V. If a different bias voltage is desired, the shunt on J8 can be moved to cover pins 2-3 and an external voltage source may be applied to TP4 referenced to GND2 via TP3.



Copyright © 2017, Texas Instruments Incorporated

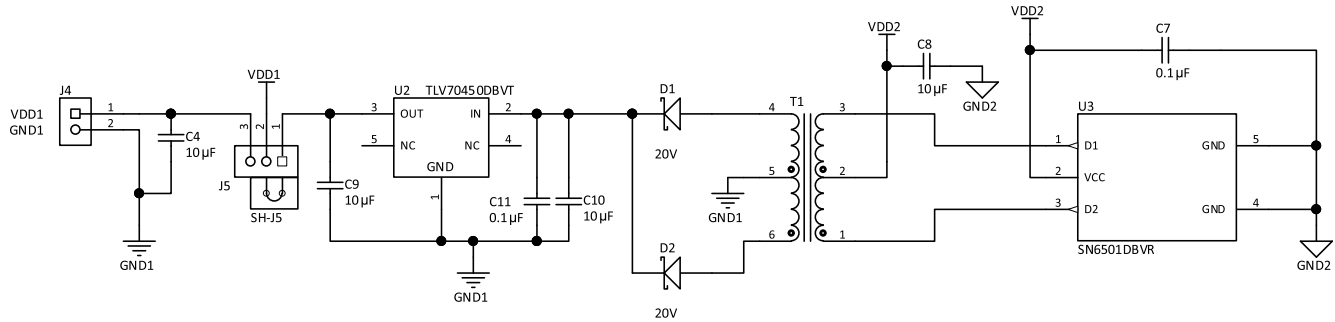
Figure 2. AMC1311EVM Schematic – Analog Output Section

### 3 Power Supplies

The AMC1311EVM requires two separate power rails, VDD1 and VDD2. VDD1 is on the high voltage side of the amplifier. VDD2 is on the user side of the amplifier.

#### 3.1 VDD1 Input

The default configuration of the EVM provides 5V to VDD1 through transformer T1 via U3, an SN6501 push-pull driver. A shunt on jumper J5 is shorting pins 1-2 which routes the regulated 5V from U2, a TPS76350, to pin 1 of U1. The screw terminal at J4 allows the user to provide their own VDD1 source when the shunt on J5 is covering pins 2-3. The VDD1 supply should be between 3 and 5.5 VDC when using an external voltage source. The input power scheme is shown in [Figure 3](#).

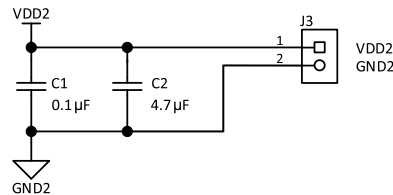


Copyright © 2017, Texas Instruments Incorporated

Figure 3. VDD1 Input

#### 3.2 VDD2 Input

The user side of the AMC1311 isolation amplifier is rated for 3.0 to 5.5 VDC and is applied to the amplifier using J3 pin 1. When using the on-board transformer for VDD1, a minimum of 3.6 V is needed at J3. [Figure 4](#) depicts the power input for VDD2.



Copyright © 2017, Texas Instruments Incorporated

Figure 4. VDD2 Input Connector

## 4 EVM Operation

The following section describes the general operation of the AMC1311EVM.

### 4.1 Isolated Power and Analog Inputs: J1 and J4

The analog input voltage to the AMC1311EVM can be applied directly to J1 pins 1 and 2.

[Table 1](#) lists the details of J1.

**Table 1. J1 – Analog Input**

Pin Number	Signal	Description
J1.1	VINP	Analog input to the AMC1311.
J1.2	GND1	Ground connection.
J1.3	ShutDown	Optional input to drive the shutdown pin from an external source.

The isolated power input to the AMC1311EVM printed circuit board (PCB) can be applied directly to J4 pins 1 and 2. [Table 2](#) lists the details of J4.

**Table 2. J4 - VDD1 Power**

Pin Number	Signal	Description
J4.1	VDD1	Connection to the AMC1311 VDD1 terminal (pin 1) with SH-J5 shorting pins 2-3 on J5.
J4.2	GND1	Connection to the AMC1311 GND1 terminal (pin 4).

#### CAUTION

Carefully review the AMC1311 product data sheet for the limitations of the analog input range, and ensure that the appropriate analog/digital voltages are applied prior to connecting any analog input to the EVM. The transformer on the evaluation module is rated to 2500 Vrms, but the board is not certified for high voltage operation.

### 4.2 User Power and Analog Outputs: J2, J3 and J6

The differential analog output voltage from the AMC1311EVM printed circuit board is applied directly to J2 pins 1 and 2. [Table 3](#) lists the details of J2.

**Table 3. J2 – Differential Analog Output**

Pin Number	Signal	Description
J2.1	VOUTN	Non-inverting analog output from the AMC1311 (pin 6).
J2.2	VOUTP	Inverting output from the AMC1311 (pin 7).

The VDD2 power input to the AMC1311EVM printed circuit board can be applied directly to J3 pins 1 and 2. [Table 4](#) lists the details of J3.

**Table 4. J3 – VDD2 Power**

Pin Number	Signal	Description
J3.1	VDD2	Connection to the AMC1311 VDD2 terminal (pin 8).
J3.2	GND2	Connection to the AMC1311 GND2 terminal (pin 5).

The single-ended analog output voltage from the AMC1311EVM printed circuit board is applied directly to J6 pin 1 referenced to pin 2. [Table 5](#) lists the details of J6.

**Table 5. J6 – Single-Ended Analog Output**

Pin Number	Signal	Description
J6.1	VOUT	Single-ended analog output from the AMC1311 through U4.
J6.2	GND2	Ground reference.

### 4.3 Device Operation

Once the VDD1 and VDD2 power is applied to the AMC1311EVM, the analog output will be available with a fixed gain of one and a DC offset equal to 1.44 V (typical).

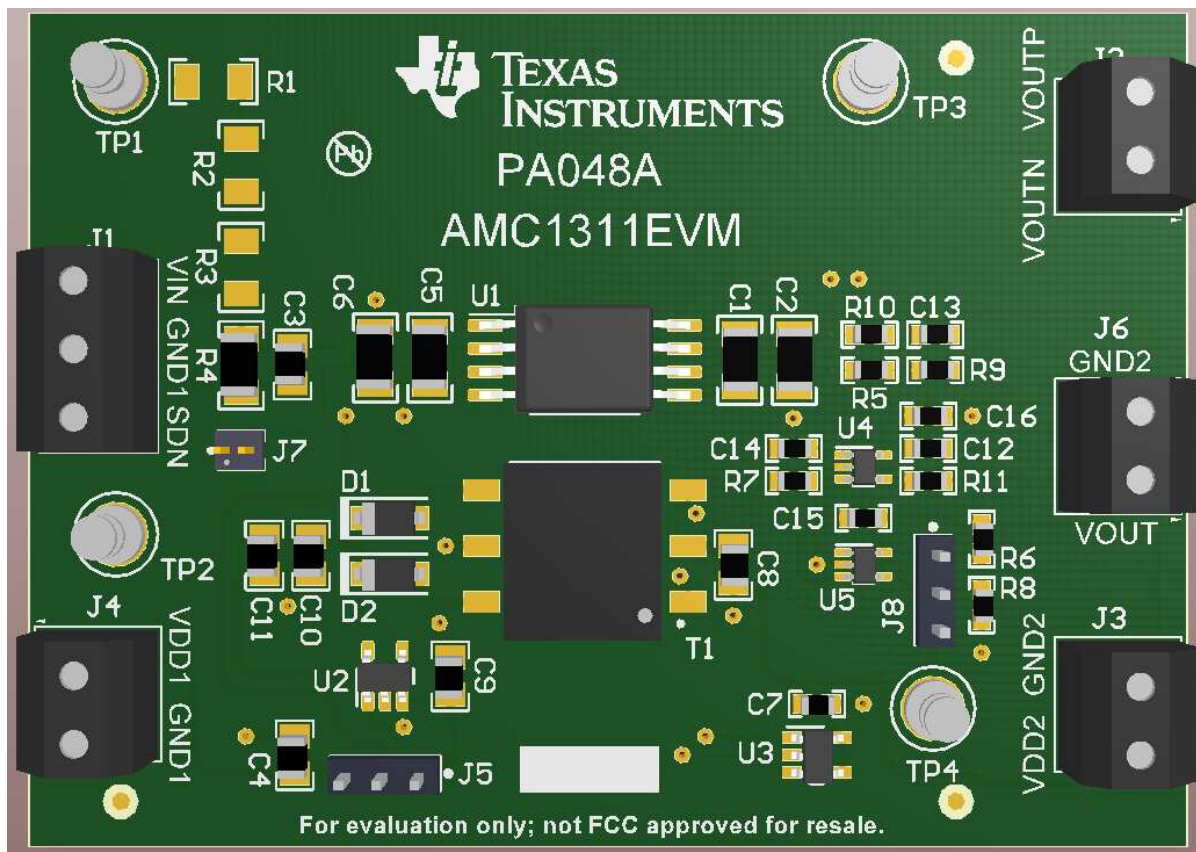
An analog input signal may be applied directly at screw terminal J2. Refer to [Figure 1](#) and [Table 2](#) for details. The analog input range is specified at 0 to 2 V.

The analog output has a nominal gain of 1 through the AMC1311 isolation amplifier. With an input voltage of 0 – 2 V, the nominal output is  $\pm 1$  V differential. The output voltage is centered on 1.44 V providing a convenient analog input range to the embedded ADCs of the MSP430 and TMS320C2000 series of digital processors.

## 5 Board Layout

This section contains the and printed circuit board (PCB) layout of the AMC1311EVM.

**NOTE:** Board layouts are not to scale. These are intended to show how the board is laid out, and are not intended to be used for manufacturing AMC1311EVM PCBs.


**Figure 5. AMC1311 Silk Screen Drawing**

## 6 Schematic and Bill of Materials

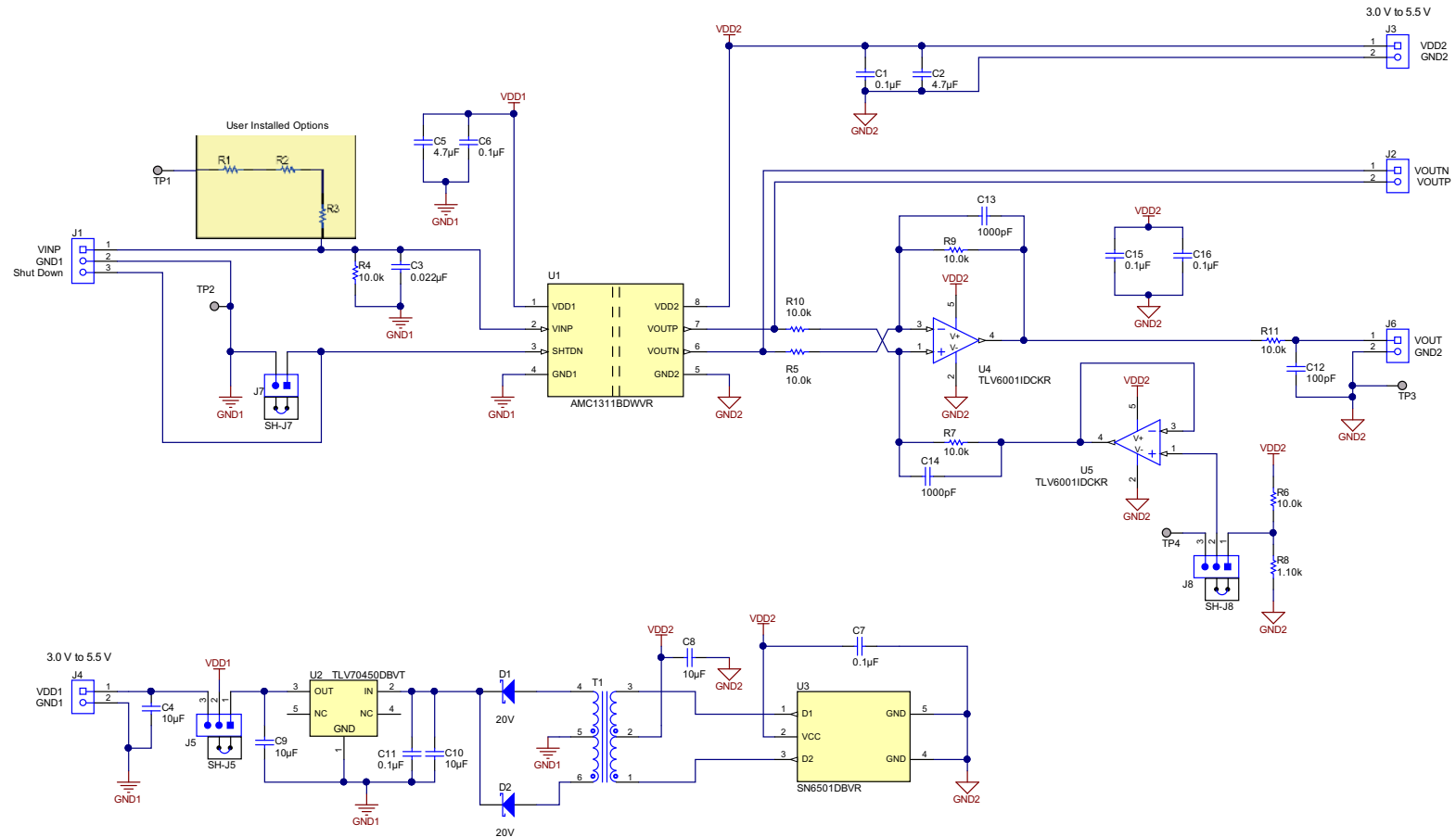
This section contains the complete bill of materials, and schematic diagram of the AMC1311EVM.

### 6.1 Bill of Materials

**Table 6. Bill of Materials**

Designator	Description	Manufacturer	Mfg. Part Number
C1, C6	CAP, CERM, 0.1 $\mu$ F, 50 V, +/- 10%, X7R, 1206	AVX	12065C104KAT2A
C2, C5	CAP, CERM, 4.7 $\mu$ F, 25 V, +/- 20%, X5R, 1206	AVX	12063D475MAT2A
C3	CAP, CERM, 0.022 $\mu$ F, 50 V, +/- 1%, C0G/NP0, 0805	Kemet	C0805C223F5GACTU
C4, C8, C9, C10	CAP, CERM, 10 $\mu$ F, 16 V, +/- 10%, X5R, 0805	Taiyo Yuden	EMK212BJ106KG-T
C7, C15, C16	CAP, CERM, 0.1 $\mu$ F, 50 V, +/- 10%, X7R, 0603	AVX	06035C104KAT2A
C11	CAP, CERM, 0.1 $\mu$ F, 25 V, +/- 10%, X7R, 0805	Kemet	C0805C104K3RACTU
C12	CAP, CERM, 100 pF, 10 V, +/- 10%, X7R, 0603	AVX	0603ZC101KAT2A
C13, C14	CAP, CERM, 1000 pF, 10 V, +/- 10%, X7R, 0603	AVX	0603ZC102KAT2A
D1, D2	Diode, Schottky, 20V, 0.5A, SOD-123	ON Semiconductor	MBR0520LT1G
J1	Terminal Block, 3.5mm Pitch, 3x1, TH	On-Shore Technology	ED555/3DS
J2, J3, J4, J6	Terminal Block, 3.5mm Pitch, 2x1, TH	On-Shore Technology	ED555/2DS
J5, J8	Header, 2mm, 3x1, Tin, TH	Samtec	TMM-103-01-T-S
J7	Header, 50mil, 2x1, Gold, TH	Sullins Connector Solutions	GRPB021VWVN-RC
R4	RES, 10.0 k, 1%, 0.25 W, 1206	Vishay-Dale	CRCW120610K0FKEA
R5, R6, R7, R9, R10, R11	RES, 10.0 k, 1%, 0.1 W, 0603	Vishay-Dale	CRCW060310K0FKEA
R8	RES, 1.10 k, 1%, 0.1 W, 0603	Vishay-Dale	CRCW06031K10FKEA
T1	Transformer, 340uH, SMT	Würth Elektronik	750313769
TP1, TP2, TP3, TP4	Terminal, Turret, TH, Double	Keystone	1502-2
U1	Precision, 2-V Input, Reinforced Isolated Amplifier, DWV0008A (SOIC-8)	Texas Instruments	AMC1311DWVR
U2	Single Output LDO, 150 mA, Fixed 5 V Output, 2.5 to 24 V Input, with Ultra-Low IQ, 5-pin SOT-23 (DBV), -40 to 125 degC, Green (RoHS & no Sb/Br)	Texas Instruments	TLV70450DBVT
U3	Transformer Driver for Isolated Power Supplies, DBV0005A	Texas Instruments	SN6501DBVR
U4, U5	Low-Power, Rail-to-Rail In/Out, 1-MHz Operational Amplifier for Cost-Sensitive Systems, DCK0005A (SOT-5)	Texas Instruments	TLV6001IDCKR
R1, R2, R3	Not Installed		

6.2 Schematic



Copyright © 2017, Texas Instruments Incorporated

Figure 6. AMC1311EVM Schematic



## 7 Related Documentation

To obtain a copy of any of the following TI documents, call the Texas Instruments Literature Response Center at (800) 477-8924 or the Product Information Center (PIC) at (972) 644-5580. When ordering, please identify this booklet by its title and literature number. Updated documents can also be obtained through our website at [www.ti.com/](http://www.ti.com/).

- [AMC1311 Precision, 2-V Input, Reinforced Isolated Amplifier, SBAS786](#)
- [SN6501 Transformer Driver for Isolated Power Supplies, SLLSEA0](#)
- [TLV600x Low-Power, Rail-to-Rail In/Out, 1-MHz Op Amp for Cost-Sen, SBOS779](#)

## STANDARD TERMS FOR EVALUATION MODULES

1. *Delivery:* TI delivers TI evaluation boards, kits, or modules, including any accompanying demonstration software, components, and/or documentation which may be provided together or separately (collectively, an "EVM" or "EVMs") to the User ("User") in accordance with the terms set forth herein. User's acceptance of the EVM is expressly subject to the following terms.
  - 1.1 EVMs are intended solely for product or software developers for use in a research and development setting to facilitate feasibility evaluation, experimentation, or scientific analysis of TI semiconductor products. EVMs have no direct function and are not finished products. EVMs shall not be directly or indirectly assembled as a part or subassembly in any finished product. For clarification, any software or software tools provided with the EVM ("Software") shall not be subject to the terms and conditions set forth herein but rather shall be subject to the applicable terms that accompany such Software
  - 1.2 EVMs are not intended for consumer or household use. EVMs may not be sold, sublicensed, leased, rented, loaned, assigned, or otherwise distributed for commercial purposes by Users, in whole or in part, or used in any finished product or production system.
2. *Limited Warranty and Related Remedies/Disclaimers:*
  - 2.1 These terms do not apply to Software. The warranty, if any, for Software is covered in the applicable Software License Agreement.
  - 2.2 TI warrants that the TI EVM will conform to TI's published specifications for ninety (90) days after the date TI delivers such EVM to User. Notwithstanding the foregoing, TI shall not be liable for a nonconforming EVM if (a) the nonconformity was caused by neglect, misuse or mistreatment by an entity other than TI, including improper installation or testing, or for any EVMs that have been altered or modified in any way by an entity other than TI, (b) the nonconformity resulted from User's design, specifications or instructions for such EVMs or improper system design, or (c) User has not paid on time. Testing and other quality control techniques are used to the extent TI deems necessary. TI does not test all parameters of each EVM. User's claims against TI under this Section 2 are void if User fails to notify TI of any apparent defects in the EVMs within ten (10) business days after delivery, or of any hidden defects with ten (10) business days after the defect has been detected.
  - 2.3 TI's sole liability shall be at its option to repair or replace EVMs that fail to conform to the warranty set forth above, or credit User's account for such EVM. TI's liability under this warranty shall be limited to EVMs that are returned during the warranty period to the address designated by TI and that are determined by TI not to conform to such warranty. If TI elects to repair or replace such EVM, TI shall have a reasonable time to repair such EVM or provide replacements. Repaired EVMs shall be warranted for the remainder of the original warranty period. Replaced EVMs shall be warranted for a new full ninety (90) day warranty period.
3. *Regulatory Notices:*
  - 3.1 *United States*
    - 3.1.1 *Notice applicable to EVMs not FCC-Approved:*

**FCC NOTICE:** This kit is designed to allow product developers to evaluate electronic components, circuitry, or software associated with the kit to determine whether to incorporate such items in a finished product and software developers to write software applications for use with the end product. This kit is not a finished product and when assembled may not be resold or otherwise marketed unless all required FCC equipment authorizations are first obtained. Operation is subject to the condition that this product not cause harmful interference to licensed radio stations and that this product accept harmful interference. Unless the assembled kit is designed to operate under part 15, part 18 or part 95 of this chapter, the operator of the kit must operate under the authority of an FCC license holder or must secure an experimental authorization under part 5 of this chapter.
    - 3.1.2 *For EVMs annotated as FCC – FEDERAL COMMUNICATIONS COMMISSION Part 15 Compliant:*

### CAUTION

This device complies with part 15 of the FCC Rules. Operation is subject to the following two conditions: (1) This device may not cause harmful interference, and (2) this device must accept any interference received, including interference that may cause undesired operation.

Changes or modifications not expressly approved by the party responsible for compliance could void the user's authority to operate the equipment.

### FCC Interference Statement for Class A EVM devices

*NOTE: This equipment has been tested and found to comply with the limits for a Class A digital device, pursuant to part 15 of the FCC Rules. These limits are designed to provide reasonable protection against harmful interference when the equipment is operated in a commercial environment. This equipment generates, uses, and can radiate radio frequency energy and, if not installed and used in accordance with the instruction manual, may cause harmful interference to radio communications. Operation of this equipment in a residential area is likely to cause harmful interference in which case the user will be required to correct the interference at his own expense.*

## FCC Interference Statement for Class B EVM devices

*NOTE: This equipment has been tested and found to comply with the limits for a Class B digital device, pursuant to part 15 of the FCC Rules. These limits are designed to provide reasonable protection against harmful interference in a residential installation. This equipment generates, uses and can radiate radio frequency energy and, if not installed and used in accordance with the instructions, may cause harmful interference to radio communications. However, there is no guarantee that interference will not occur in a particular installation. If this equipment does cause harmful interference to radio or television reception, which can be determined by turning the equipment off and on, the user is encouraged to try to correct the interference by one or more of the following measures:*

- Reorient or relocate the receiving antenna.
- Increase the separation between the equipment and receiver.
- Connect the equipment into an outlet on a circuit different from that to which the receiver is connected.
- Consult the dealer or an experienced radio/TV technician for help.

### 3.2 Canada

3.2.1 For EVMs issued with an Industry Canada Certificate of Conformance to RSS-210 or RSS-247

#### Concerning EVMs Including Radio Transmitters:

This device complies with Industry Canada license-exempt RSSs. Operation is subject to the following two conditions:

(1) this device may not cause interference, and (2) this device must accept any interference, including interference that may cause undesired operation of the device.

#### Concernant les EVMs avec appareils radio:

Le présent appareil est conforme aux CNR d'Industrie Canada applicables aux appareils radio exempts de licence. L'exploitation est autorisée aux deux conditions suivantes: (1) l'appareil ne doit pas produire de brouillage, et (2) l'utilisateur de l'appareil doit accepter tout brouillage radioélectrique subi, même si le brouillage est susceptible d'en compromettre le fonctionnement.

#### Concerning EVMs Including Detachable Antennas:

Under Industry Canada regulations, this radio transmitter may only operate using an antenna of a type and maximum (or lesser) gain approved for the transmitter by Industry Canada. To reduce potential radio interference to other users, the antenna type and its gain should be so chosen that the equivalent isotropically radiated power (e.i.r.p.) is not more than that necessary for successful communication. This radio transmitter has been approved by Industry Canada to operate with the antenna types listed in the user guide with the maximum permissible gain and required antenna impedance for each antenna type indicated. Antenna types not included in this list, having a gain greater than the maximum gain indicated for that type, are strictly prohibited for use with this device.

#### Concernant les EVMs avec antennes détachables

Conformément à la réglementation d'Industrie Canada, le présent émetteur radio peut fonctionner avec une antenne d'un type et d'un gain maximal (ou inférieur) approuvé pour l'émetteur par Industrie Canada. Dans le but de réduire les risques de brouillage radioélectrique à l'intention des autres utilisateurs, il faut choisir le type d'antenne et son gain de sorte que la puissance isotrope rayonnée équivalente (p.i.r.e.) ne dépasse pas l'intensité nécessaire à l'établissement d'une communication satisfaisante. Le présent émetteur radio a été approuvé par Industrie Canada pour fonctionner avec les types d'antenne énumérés dans le manuel d'usage et ayant un gain admissible maximal et l'impédance requise pour chaque type d'antenne. Les types d'antenne non inclus dans cette liste, ou dont le gain est supérieur au gain maximal indiqué, sont strictement interdits pour l'exploitation de l'émetteur.

### 3.3 Japan

3.3.1 *Notice for EVMs delivered in Japan:* Please see [http://www.tij.co.jp/lstds/ti\\_ja/general/eStore/notice\\_01.page](http://www.tij.co.jp/lstds/ti_ja/general/eStore/notice_01.page) 日本国内に輸入される評価用キット、ボードについては、次のところをご覧ください。  
[http://www.tij.co.jp/lstds/ti\\_ja/general/eStore/notice\\_01.page](http://www.tij.co.jp/lstds/ti_ja/general/eStore/notice_01.page)

3.3.2 *Notice for Users of EVMs Considered "Radio Frequency Products" in Japan:* EVMs entering Japan may not be certified by TI as conforming to Technical Regulations of Radio Law of Japan.

If User uses EVMs in Japan, not certified to Technical Regulations of Radio Law of Japan, User is required to follow the instructions set forth by Radio Law of Japan, which includes, but is not limited to, the instructions below with respect to EVMs (which for the avoidance of doubt are stated strictly for convenience and should be verified by User):

1. Use EVMs in a shielded room or any other test facility as defined in the notification #173 issued by Ministry of Internal Affairs and Communications on March 28, 2006, based on Sub-section 1.1 of Article 6 of the Ministry's Rule for Enforcement of Radio Law of Japan,
2. Use EVMs only after User obtains the license of Test Radio Station as provided in Radio Law of Japan with respect to EVMs, or
3. Use of EVMs only after User obtains the Technical Regulations Conformity Certification as provided in Radio Law of Japan with respect to EVMs. Also, do not transfer EVMs, unless User gives the same notice above to the transferee. Please note that if User does not follow the instructions above, User will be subject to penalties of Radio Law of Japan.

【無線電波を送信する製品の開発キットをお使いになる際の注意事項】 開発キットの中には技術基準適合証明を受けていないものがあります。技術適合証明を受けていないものご使用に際しては、電波法遵守のため、以下のいずれかの措置を取っていただく必要がありますのでご注意ください。

1. 電波法施行規則第6条第1項第1号に基づく平成18年3月28日総務省告示第173号で定められた電波暗室等の試験設備でご使用いただく。
2. 実験局の免許を取得後ご使用いただく。
3. 技術基準適合証明を取得後ご使用いただく。

なお、本製品は、上記の「ご使用にあたっての注意」を譲渡先、移転先に通知しない限り、譲渡、移転できないものとします。

上記を遵守頂けない場合は、電波法の罰則が適用される可能性があることをご留意ください。日本テキサス・インスツルメンツ株式会社  
東京都新宿区西新宿 6 丁目 2 4 番 1 号  
西新宿三井ビル

3.3.3 *Notice for EVMs for Power Line Communication:* Please see [http://www.tij.co.jp/llds/ti\\_ja/general/eStore/notice\\_02.page](http://www.tij.co.jp/llds/ti_ja/general/eStore/notice_02.page)  
電力線搬送波通信についての開発キットをお使いになる際の注意事項については、次のところをご覧ください。 [http://www.tij.co.jp/llds/ti\\_ja/general/eStore/notice\\_02.page](http://www.tij.co.jp/llds/ti_ja/general/eStore/notice_02.page)

#### 3.4 *European Union*

##### 3.4.1 *For EVMs subject to EU Directive 2014/30/EU (Electromagnetic Compatibility Directive):*

This is a class A product intended for use in environments other than domestic environments that are connected to a low-voltage power-supply network that supplies buildings used for domestic purposes. In a domestic environment this product may cause radio interference in which case the user may be required to take adequate measures.

#### 4 *EVM Use Restrictions and Warnings:*

4.1 EVMS ARE NOT FOR USE IN FUNCTIONAL SAFETY AND/OR SAFETY CRITICAL EVALUATIONS, INCLUDING BUT NOT LIMITED TO EVALUATIONS OF LIFE SUPPORT APPLICATIONS.

4.2 User must read and apply the user guide and other available documentation provided by TI regarding the EVM prior to handling or using the EVM, including without limitation any warning or restriction notices. The notices contain important safety information related to, for example, temperatures and voltages.

##### 4.3 *Safety-Related Warnings and Restrictions:*

4.3.1 User shall operate the EVM within TI's recommended specifications and environmental considerations stated in the user guide, other available documentation provided by TI, and any other applicable requirements and employ reasonable and customary safeguards. Exceeding the specified performance ratings and specifications (including but not limited to input and output voltage, current, power, and environmental ranges) for the EVM may cause personal injury or death, or property damage. If there are questions concerning performance ratings and specifications, User should contact a TI field representative prior to connecting interface electronics including input power and intended loads. Any loads applied outside of the specified output range may also result in unintended and/or inaccurate operation and/or possible permanent damage to the EVM and/or interface electronics. Please consult the EVM user guide prior to connecting any load to the EVM output. If there is uncertainty as to the load specification, please contact a TI field representative. During normal operation, even with the inputs and outputs kept within the specified allowable ranges, some circuit components may have elevated case temperatures. These components include but are not limited to linear regulators, switching transistors, pass transistors, current sense resistors, and heat sinks, which can be identified using the information in the associated documentation. When working with the EVM, please be aware that the EVM may become very warm.

4.3.2 EVMs are intended solely for use by technically qualified, professional electronics experts who are familiar with the dangers and application risks associated with handling electrical mechanical components, systems, and subsystems. User assumes all responsibility and liability for proper and safe handling and use of the EVM by User or its employees, affiliates, contractors or designees. User assumes all responsibility and liability to ensure that any interfaces (electronic and/or mechanical) between the EVM and any human body are designed with suitable isolation and means to safely limit accessible leakage currents to minimize the risk of electrical shock hazard. User assumes all responsibility and liability for any improper or unsafe handling or use of the EVM by User or its employees, affiliates, contractors or designees.

4.4 User assumes all responsibility and liability to determine whether the EVM is subject to any applicable international, federal, state, or local laws and regulations related to User's handling and use of the EVM and, if applicable, User assumes all responsibility and liability for compliance in all respects with such laws and regulations. User assumes all responsibility and liability for proper disposal and recycling of the EVM consistent with all applicable international, federal, state, and local requirements.

5. *Accuracy of Information:* To the extent TI provides information on the availability and function of EVMs, TI attempts to be as accurate as possible. However, TI does not warrant the accuracy of EVM descriptions, EVM availability or other information on its websites as accurate, complete, reliable, current, or error-free.

6. *Disclaimers:*
- 6.1 EXCEPT AS SET FORTH ABOVE, EVMS AND ANY MATERIALS PROVIDED WITH THE EVM (INCLUDING, BUT NOT LIMITED TO, REFERENCE DESIGNS AND THE DESIGN OF THE EVM ITSELF) ARE PROVIDED "AS IS" AND "WITH ALL FAULTS." TI DISCLAIMS ALL OTHER WARRANTIES, EXPRESS OR IMPLIED, REGARDING SUCH ITEMS, INCLUDING BUT NOT LIMITED TO ANY EPIDEMIC FAILURE WARRANTY OR IMPLIED WARRANTIES OF MERCHANTABILITY OR FITNESS FOR A PARTICULAR PURPOSE OR NON-INFRINGEMENT OF ANY THIRD PARTY PATENTS, COPYRIGHTS, TRADE SECRETS OR OTHER INTELLECTUAL PROPERTY RIGHTS.
- 6.2 EXCEPT FOR THE LIMITED RIGHT TO USE THE EVM SET FORTH HEREIN, NOTHING IN THESE TERMS SHALL BE CONSTRUED AS GRANTING OR CONFERRING ANY RIGHTS BY LICENSE, PATENT, OR ANY OTHER INDUSTRIAL OR INTELLECTUAL PROPERTY RIGHT OF TI, ITS SUPPLIERS/LICENSORS OR ANY OTHER THIRD PARTY, TO USE THE EVM IN ANY FINISHED END-USER OR READY-TO-USE FINAL PRODUCT, OR FOR ANY INVENTION, DISCOVERY OR IMPROVEMENT, REGARDLESS OF WHEN MADE, CONCEIVED OR ACQUIRED.
7. *USER'S INDEMNITY OBLIGATIONS AND REPRESENTATIONS.* USER WILL DEFEND, INDEMNIFY AND HOLD TI, ITS LICENSORS AND THEIR REPRESENTATIVES HARMLESS FROM AND AGAINST ANY AND ALL CLAIMS, DAMAGES, LOSSES, EXPENSES, COSTS AND LIABILITIES (COLLECTIVELY, "CLAIMS") ARISING OUT OF OR IN CONNECTION WITH ANY HANDLING OR USE OF THE EVM THAT IS NOT IN ACCORDANCE WITH THESE TERMS. THIS OBLIGATION SHALL APPLY WHETHER CLAIMS ARISE UNDER STATUTE, REGULATION, OR THE LAW OF TORT, CONTRACT OR ANY OTHER LEGAL THEORY, AND EVEN IF THE EVM FAILS TO PERFORM AS DESCRIBED OR EXPECTED.
8. *Limitations on Damages and Liability:*
- 8.1 *General Limitations.* IN NO EVENT SHALL TI BE LIABLE FOR ANY SPECIAL, COLLATERAL, INDIRECT, PUNITIVE, INCIDENTAL, CONSEQUENTIAL, OR EXEMPLARY DAMAGES IN CONNECTION WITH OR ARISING OUT OF THESE TERMS OR THE USE OF THE EVMS , REGARDLESS OF WHETHER TI HAS BEEN ADVISED OF THE POSSIBILITY OF SUCH DAMAGES. EXCLUDED DAMAGES INCLUDE, BUT ARE NOT LIMITED TO, COST OF REMOVAL OR REINSTALLATION, ANCILLARY COSTS TO THE PROCUREMENT OF SUBSTITUTE GOODS OR SERVICES, RETESTING, OUTSIDE COMPUTER TIME, LABOR COSTS, LOSS OF GOODWILL, LOSS OF PROFITS, LOSS OF SAVINGS, LOSS OF USE, LOSS OF DATA, OR BUSINESS INTERRUPTION. NO CLAIM, SUIT OR ACTION SHALL BE BROUGHT AGAINST TI MORE THAN TWELVE (12) MONTHS AFTER THE EVENT THAT GAVE RISE TO THE CAUSE OF ACTION HAS OCCURRED.
- 8.2 *Specific Limitations.* IN NO EVENT SHALL TI'S AGGREGATE LIABILITY FROM ANY USE OF AN EVM PROVIDED HEREUNDER, INCLUDING FROM ANY WARRANTY, INDEMNITY OR OTHER OBLIGATION ARISING OUT OF OR IN CONNECTION WITH THESE TERMS, , EXCEED THE TOTAL AMOUNT PAID TO TI BY USER FOR THE PARTICULAR EVM(S) AT ISSUE DURING THE PRIOR TWELVE (12) MONTHS WITH RESPECT TO WHICH LOSSES OR DAMAGES ARE CLAIMED. THE EXISTENCE OF MORE THAN ONE CLAIM SHALL NOT ENLARGE OR EXTEND THIS LIMIT.
9. *Return Policy.* Except as otherwise provided, TI does not offer any refunds, returns, or exchanges. Furthermore, no return of EVM(s) will be accepted if the package has been opened and no return of the EVM(s) will be accepted if they are damaged or otherwise not in a resalable condition. If User feels it has been incorrectly charged for the EVM(s) it ordered or that delivery violates the applicable order, User should contact TI. All refunds will be made in full within thirty (30) working days from the return of the components(s), excluding any postage or packaging costs.
10. *Governing Law:* These terms and conditions shall be governed by and interpreted in accordance with the laws of the State of Texas, without reference to conflict-of-laws principles. User agrees that non-exclusive jurisdiction for any dispute arising out of or relating to these terms and conditions lies within courts located in the State of Texas and consents to venue in Dallas County, Texas. Notwithstanding the foregoing, any judgment may be enforced in any United States or foreign court, and TI may seek injunctive relief in any United States or foreign court.

## IMPORTANT NOTICE FOR TI DESIGN INFORMATION AND RESOURCES

Texas Instruments Incorporated ("TI") technical, application or other design advice, services or information, including, but not limited to, reference designs and materials relating to evaluation modules, (collectively, "TI Resources") are intended to assist designers who are developing applications that incorporate TI products; by downloading, accessing or using any particular TI Resource in any way, you (individually or, if you are acting on behalf of a company, your company) agree to use it solely for this purpose and subject to the terms of this Notice.

TI's provision of TI Resources does not expand or otherwise alter TI's applicable published warranties or warranty disclaimers for TI products, and no additional obligations or liabilities arise from TI providing such TI Resources. TI reserves the right to make corrections, enhancements, improvements and other changes to its TI Resources.

You understand and agree that you remain responsible for using your independent analysis, evaluation and judgment in designing your applications and that you have full and exclusive responsibility to assure the safety of your applications and compliance of your applications (and of all TI products used in or for your applications) with all applicable regulations, laws and other applicable requirements. You represent that, with respect to your applications, you have all the necessary expertise to create and implement safeguards that (1) anticipate dangerous consequences of failures, (2) monitor failures and their consequences, and (3) lessen the likelihood of failures that might cause harm and take appropriate actions. You agree that prior to using or distributing any applications that include TI products, you will thoroughly test such applications and the functionality of such TI products as used in such applications. TI has not conducted any testing other than that specifically described in the published documentation for a particular TI Resource.

You are authorized to use, copy and modify any individual TI Resource only in connection with the development of applications that include the TI product(s) identified in such TI Resource. NO OTHER LICENSE, EXPRESS OR IMPLIED, BY ESTOPPEL OR OTHERWISE TO ANY OTHER TI INTELLECTUAL PROPERTY RIGHT, AND NO LICENSE TO ANY TECHNOLOGY OR INTELLECTUAL PROPERTY RIGHT OF TI OR ANY THIRD PARTY IS GRANTED HEREIN, including but not limited to any patent right, copyright, mask work right, or other intellectual property right relating to any combination, machine, or process in which TI products or services are used. Information regarding or referencing third-party products or services does not constitute a license to use such products or services, or a warranty or endorsement thereof. Use of TI Resources may require a license from a third party under the patents or other intellectual property of the third party, or a license from TI under the patents or other intellectual property of TI.

TI RESOURCES ARE PROVIDED "AS IS" AND WITH ALL FAULTS. TI DISCLAIMS ALL OTHER WARRANTIES OR REPRESENTATIONS, EXPRESS OR IMPLIED, REGARDING TI RESOURCES OR USE THEREOF, INCLUDING BUT NOT LIMITED TO ACCURACY OR COMPLETENESS, TITLE, ANY EPIDEMIC FAILURE WARRANTY AND ANY IMPLIED WARRANTIES OF MERCHANTABILITY, FITNESS FOR A PARTICULAR PURPOSE, AND NON-INFRINGEMENT OF ANY THIRD PARTY INTELLECTUAL PROPERTY RIGHTS.

TI SHALL NOT BE LIABLE FOR AND SHALL NOT DEFEND OR INDEMNIFY YOU AGAINST ANY CLAIM, INCLUDING BUT NOT LIMITED TO ANY INFRINGEMENT CLAIM THAT RELATES TO OR IS BASED ON ANY COMBINATION OF PRODUCTS EVEN IF DESCRIBED IN TI RESOURCES OR OTHERWISE. IN NO EVENT SHALL TI BE LIABLE FOR ANY ACTUAL, DIRECT, SPECIAL, COLLATERAL, INDIRECT, PUNITIVE, INCIDENTAL, CONSEQUENTIAL OR EXEMPLARY DAMAGES IN CONNECTION WITH OR ARISING OUT OF TI RESOURCES OR USE THEREOF, AND REGARDLESS OF WHETHER TI HAS BEEN ADVISED OF THE POSSIBILITY OF SUCH DAMAGES.

You agree to fully indemnify TI and its representatives against any damages, costs, losses, and/or liabilities arising out of your non-compliance with the terms and provisions of this Notice.

This Notice applies to TI Resources. Additional terms apply to the use and purchase of certain types of materials, TI products and services. These include; without limitation, TI's standard terms for semiconductor products (<http://www.ti.com/sc/docs/stdterms.htm>), [evaluation modules](#), and [samples](http://www.ti.com/sc/docs/sampterm.htm) (<http://www.ti.com/sc/docs/sampterm.htm>).

Mailing Address: Texas Instruments, Post Office Box 655303, Dallas, Texas 75265  
Copyright © 2017, Texas Instruments Incorporated