

# GDB SERIES TOUCH-SAFE POWR-BLOKS™

## Global Distribution Blocks



### Features/Benefits

- Global part meeting UL standards
- Space saving design
- Integrated touch-safe cover to increase safety
- IP20 protection rating
- Mounts to DIN rail or panels
- Reliable brass connections for excellent continuity in a smaller design

### Specifications

|                              |   |
|------------------------------|---|
| <b>Voltage Rating</b>        | UL: 600 VAC/VDC   |
| <b>Ampere Rating</b>         | 80 – 335 A  |
| <b>Material</b>              | Thermoplastic   |
| <b>Connector</b>             | GDBxxxx: Brass<br>GDBAxxxx: Aluminum (Tin Plated)   |
| <b>Flammability Rating</b>   | UL94 V-0  |
| <b>Approvals</b>             | UL Recognized (File: E309688, E171395)<br>UL Listed (File: E482231)<br>CSA Certified (File: 700111) |
| <b>Operating Temperature</b> | -40°C to +90°C  |
| <b>Storage Temperature</b>   | -40°C to +100°C   |
| <b>Relative Humidity</b>     | 50% @ 40°C, 90% @ 20°C  |
| <b>Environmental</b>         | RoHS compliant  |

### Description

POWR-BLOKS™ Global Distribution Blocks add safety and mounting versatility to our distribution block solutions. The Global Distribution Blocks are approved to UL standards. The Global Distribution Blocks are IP20 finger safe to reduce the risk of contact and eliminate the need for block or panel covers. Installation is quick and easy, with DIN-rail and panel mount options.

### Web Resources

For additional information visit [Littelfuse.com/gdb](http://Littelfuse.com/gdb)

### Electrical Specifications

| CATALOG/<br>ORDERING<br>NUMBER | POLES | AMPS | WIRE RANGE         |                                |                      | OVERCURRENT PROTECTION<br>FUZE REQUIRED |                            |   |                                    |                  |                                      |    | SCCR IN<br>RMS<br>SYM<br>AMPS | AGENCY<br>APPROVALS |    |     |      |  |
|--------------------------------|-------|------|--------------------|--------------------------------|----------------------|---|----------------------------|---|------------------------------------|------------------|--------------------------------------|----|-------------------------------|---------------------|----|-----|------|--|
|                                |       |      | LINE<br>CONNECTION |                                | LOAD CONNECTION      | CLASS J<br>(JTD_ID)                     | Class T<br>(JLLN,<br>JLLS) | Class RK1<br>(LLNRK,<br>LLSRK, KLNR,<br>KLSR) | Class RK5<br>(FLNR, FLSR,<br>IDSR) | CLASS G<br>(SLC) | CLASS CC<br>(CCMR,<br>KLDL,<br>KLKR) | UR |                               | cURus               | UL | CSA |      |  |
|                                |       |      | LINE               | OPENINGS<br>PER POLE           | OPENINGS<br>PER POLE |   |                            |   |                                    |                  |                                      |    |                               |                     |    |     | LOAD |  |
| GDB60801Z                      | 1     | 80   | 1                  | #8 - #4                        | 6                    | #8 - #4<br>#10 - #14                    | 80                         | -   | -                                  | -                | -                                    | -  | -                             | 100,000             | •  |     |      |  |
| GDB61151Z                      | 1     | 115  | 1                  | #8 - #2<br>#10 - #6            | 6                    | #14 - #4                                | 125                        | -   | -                                  | -                | -                                    | -  | -                             | 100,000             | •  |     |      |  |
| GDB61153Z                      | 3     | 115  | 1                  | #8 - #2                        | 6                    | #14 - #4                                | 125                        | -   | -                                  | -                | -                                    | -  | -                             | 100,000             | •  |     |      |  |
| GDBAD241Z                      | 1     | 115  | 1                  | #10 - #2                       | 4                    | #14 - #10                               | 125                        | 200   | 100                                | 30               | 60                                   | 30 | 65,000                        |                     |    | •   | •    |  |
| GDB61601Z                      | 1     | 160  | 1                  | #8 - 2/0                       | 6                    | #14 - #4                                | 175                        | -   | -                                  | -                | -                                    | -  | 100,000                       | •                   |    |     |      |  |
| GDB61753Z                      | 3     | 175  | 1                  | #8 - 2/0                       | 6                    | #14 - #4                                | 175                        | -   | -                                  | -                | -                                    | -  | 100,000                       |                     | •  |     |      |  |
| GDBAD451Z                      | 1     | 200  | 1                  | #8 - 3/0                       | 4                    | #8 - #2                                 | 225                        | 225   | 200                                | 60               | 60                                   | 30 | 100,000                       |                     |    | •   | •    |  |
|                                |       |      |                    | #8 - 3/0                       |                      | #14 - #8                                | 100                        | 110   | 100                                | 30               | 60                                   |    |                               |                     |    |     |      |  |
| GDB63101Z                      | 1     | 310  | 1                  | 3/0 - 350<br>kcmil             | 11                   | #14 - #2                                | 350                        | -   | -                                  | -                | -                                    | -  | 100,000                       | •                   |    |     |      |  |
|                                |       |      |                    |                                |                      | #14 - #6                                |                            |   |                                    |                  |                                      |    |                               |                     |    |     |      |  |
|                                |       |      |                    |                                |                      | #14 - #8                                |                            |   |                                    |                  |                                      |    |                               |                     |    |     |      |  |
| GDBAD741Z                      | 1     | 335  | 1                  | #6 - 400<br>kcmil<br>#14 - 3/0 | 8                    | #14 - #2                                | -                          | -   | -                                  | -                | -                                    | -  | 10,000                        | •                   |    |     | •    |  |

# GDB SERIES TOUCH-SAFE POWR-BLOKS™

## Global Distribution Blocks

### Mechanical Specification

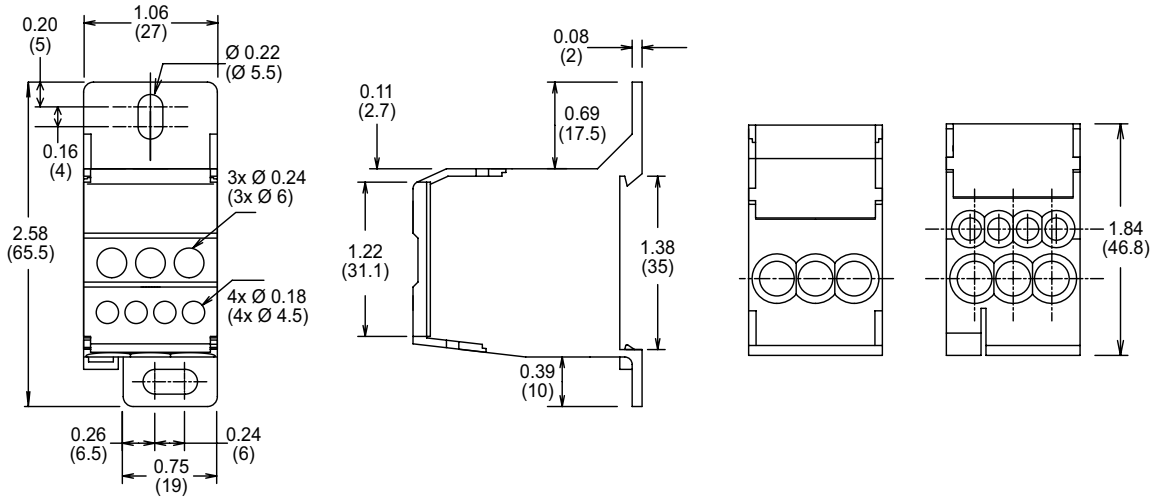
| CATALOG/<br>ORDERING<br>NUMBER | POLES | AMP<br>RATING<br>PER POLE<br>(UL) | LINE CONNECTION      |                       |                  |                                     |  | LOAD CONNECTION      |                           |               |                      |  |           |
|--------------------------------|-------|-----------------------------------|----------------------|-----------------------|------------------|-------------------------------------|--|----------------------|---------------------------|---------------|----------------------|--|-----------|
|                                |       |                                   | OPENINGS<br>PER POLE | OPENING<br>DIAMETER   | SCREW TYPE       | WIRE<br>RANGE                       | TORQUE<br>LB-IN (NM)   | OPENINGS<br>PER POLE | OPENING<br>DIAMETER       | SCREW<br>TYPE | WIRE<br>RANGE        | TORQUE<br>LB-IN (NM)                   |           |
| GDB60801Z                      | 1     | 80                                | 1                    | 0.28 in<br>(7.0 mm)   | Slotted          | #8 - #4<br>(Cu)                     | 13.5 (1.5)   | 6                    | 2x 0.28 in<br>(2x 7.0 mm) | Slotted       | #8 - #4<br>(Cu)      | 13.5 (1.5)                             |           |
|                                |       |                                   |                      |                       |                  |                                     |  |                      | 4x 0.18 in<br>(4x 4.5 mm) |               |                      | #10 - #14<br>(Cu)                      | 7.2 (0.8) |
| GDB61151Z                      | 1     | 115                               | 2                    | 0.39 in<br>(10.0 mm)  | Hex 4 mm         | #8 - #2<br>(Cu)<br>#10 - #6<br>(Cu) | 31 (3.5)   | 6                    | 0.28 in<br>(7.0 mm)       | Slotted       | #14 - #4<br>(Cu)     | 17.5 (2)                               |           |
| GDB61153Z                      | 3     | 115                               | 1                    | 0.39 in<br>(10.0 mm)  | Hex 4mm          | #8 - #2 (Cu)                        | 31 (3.5)   | 6                    | 0.25 in<br>(6.5 mm)       | Hex 3mm       | #14 - #4<br>(Cu)     | 17.5 (2)                               |           |
| GDBAD241Z                      | 1     | 115                               | 1                    | 0.312 in<br>(7.9 mm)  | Hex 4 mm         | #14 - #2<br>(Cu/Al)                 | 35 (4.0) #14 - #10<br>40 (4.15) #8<br>45 (5.1) #6 - #4<br>50 (5.6) #3 - #2     | 4                    | 0.159 in<br>(4.0 mm)      | Hex 2 mm      | #14 - #10<br>(Cu/Al) | 7 (0.8)                                |           |
| GDB61601Z                      | 1     | 160                               | 1                    | 0.49 in<br>(12.5 mm)  | Hex 5mm          | #8 - 2/0<br>(Cu)                    | 35.5 (4)   | 6                    | 0.28 in<br>(7.0 mm)       | Slotted       | #14 - #4<br>(Cu)     | 17.5 (2.0)                             |           |
| GDB61753Z                      | 3     | 175                               | 1                    | 0.47 in<br>(12.0 mm)  | Hex 5mm          | #8 - 2/0<br>(Cu)                    | 35.5 (4)   | 6                    | 0.25 in<br>(6.5 mm)       | Hex 3mm       | #14 - #4<br>(Cu)     | 17.5 (2.0)                             |           |
| GDBAD451Z                      | 1     | 200                               | 1                    | 0.531 in<br>(13.5 mm) | Hex 6mm          | #14 - 3/0<br>(Cu/Al)                | 50 (5.6) #14 - #10<br>180 (20.3) #8 - 3/0                                      | 4                    | 0.313 in<br>(7.9mm)       | Hex 5mm       | #14 - #2<br>(Cu/Al)  | 40 (4.5) #14 - #10<br>50 (5.6) #8 - #2 |           |
| GDB63101Z                      | 1     | 310                               | 1                    | 0.75 in<br>(19.0 mm)  | Hex 8mm          | 3/0 - 350<br>kcmil (Cu)             | 230 (26.0)   | 11                   | 2x 0.35 in<br>(2x 9.0mm)  | Slotted       | #14 - #2<br>(Cu)     | 31 (3.5)                               |           |
|                                |       |                                   |                      |                       |                  |                                     |  |                      | 5x 0.25 in<br>(5x 6.5mm)  |               |                      | #14 - #6<br>(Cu)                       | 18 (2.0)  |
|                                |       |                                   |                      |                       |                  |                                     |  |                      | 4x 0.21 in<br>(4x 5.3mm)  |               |                      | #14 - #8<br>(Cu)                       |           |
| GDBAD741Z                      | 1     | 335                               | 1                    | 0.516 in<br>(13.1 mm) | Hex<br>8mm & 6mm | #14 - 400<br>kcmil<br>(Cu/Al)       | 40 (4.5) #14 - #8<br>80 (9.0) #6 - #2  | 8                    | 0.375 in<br>(9.5 mm)      | Hex 5mm       | #14 - #2<br>(Cu/Al)  | 40 (4.5) #14 - #8                      |           |
|                                |       |                                   |                      |                       |                  |                                     | 120 (13.6) #1 - #3/0<br>275 (31.10) #6 - #1/0<br>375 (42.4) 2/0 - 400<br>kcmil |                      |                           |               |                      | 80 (9.0) #6 - #2                       |           |

# GDB SERIES TOUCH-SAFE POWR-BLOKS™

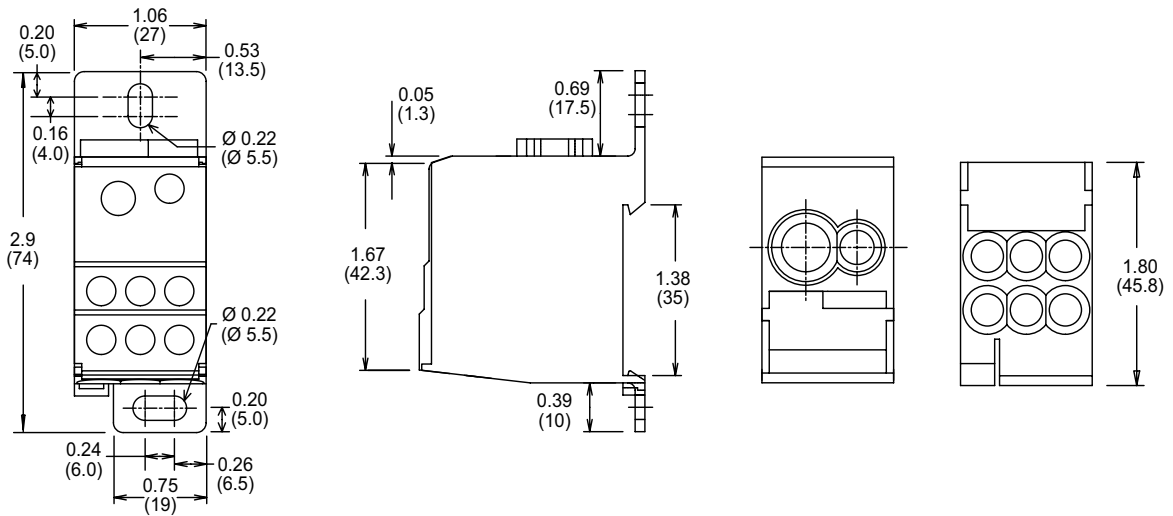
## Global Distribution Blocks

### Dimensions Inches (mm)

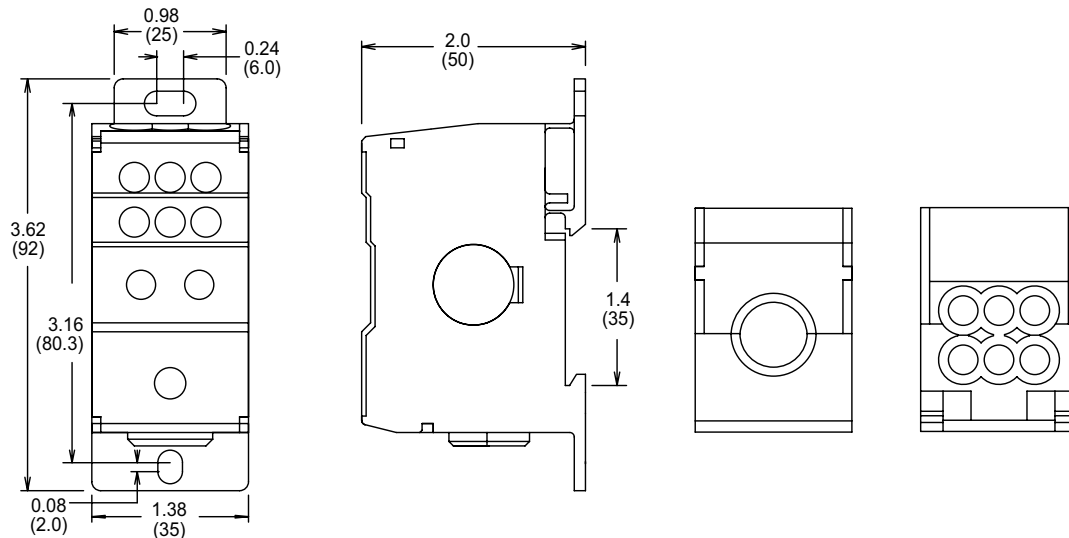
**GDB60801Z**



**GDB61151Z**



**GDB61601Z**

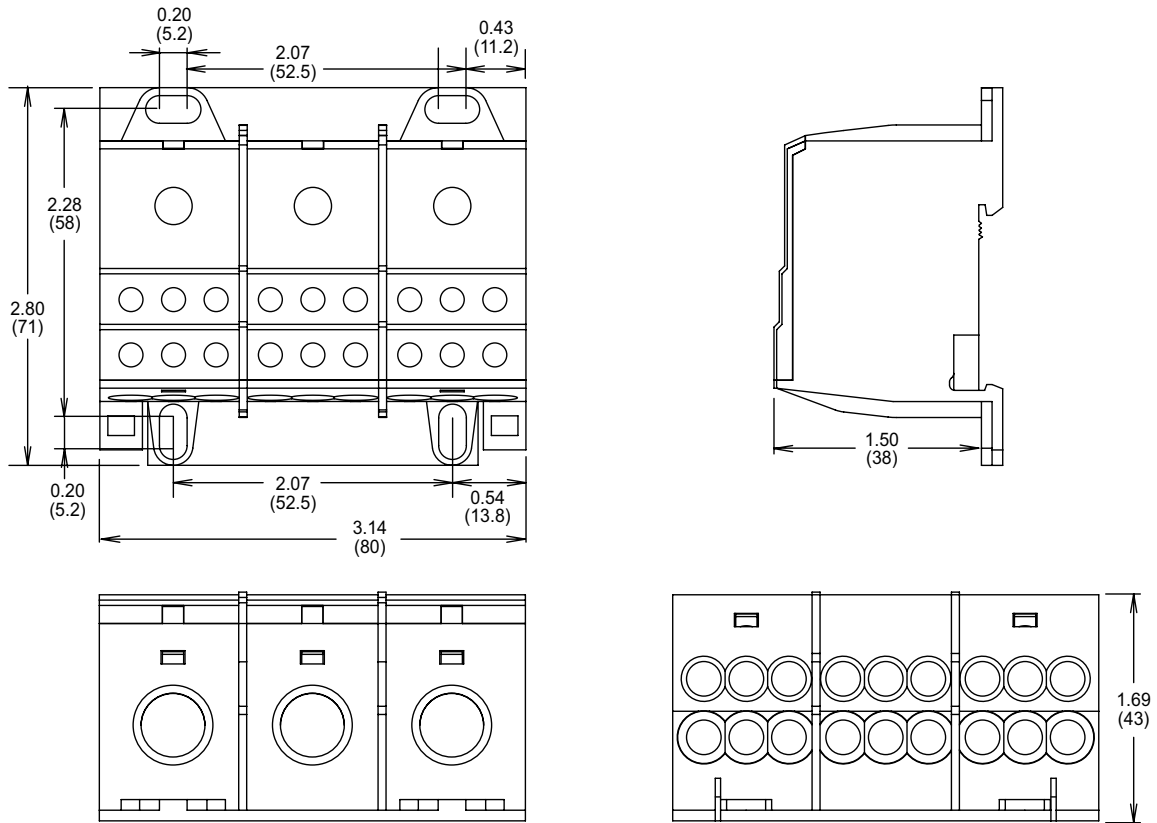


# GDB SERIES TOUCH-SAFE POWR-BLOKS™

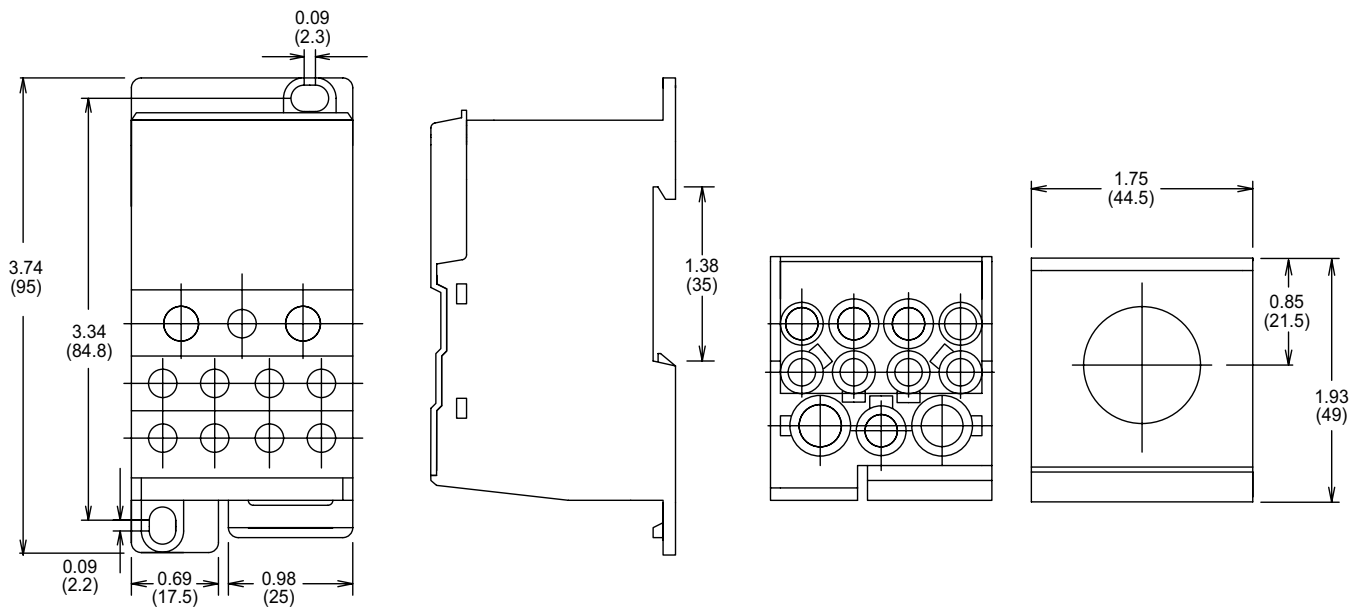
## Global Distribution Blocks

### Dimensions Inches (mm)

**GDB61153Z**  
**GDB61753Z**



**GDB63101Z**

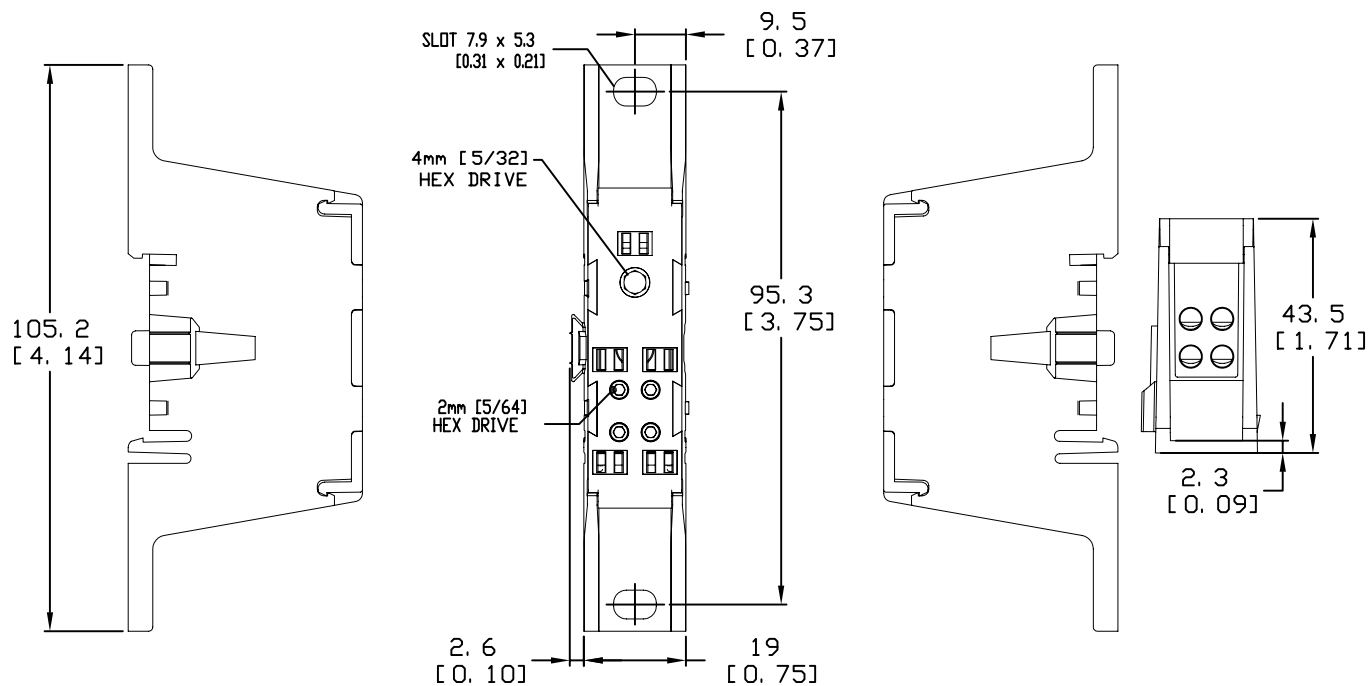


# GDB SERIES TOUCH-SAFE POWR-BLOKS™

## Global Distribution Blocks

### Dimensions Millimeters (in)

GDBAD241Z

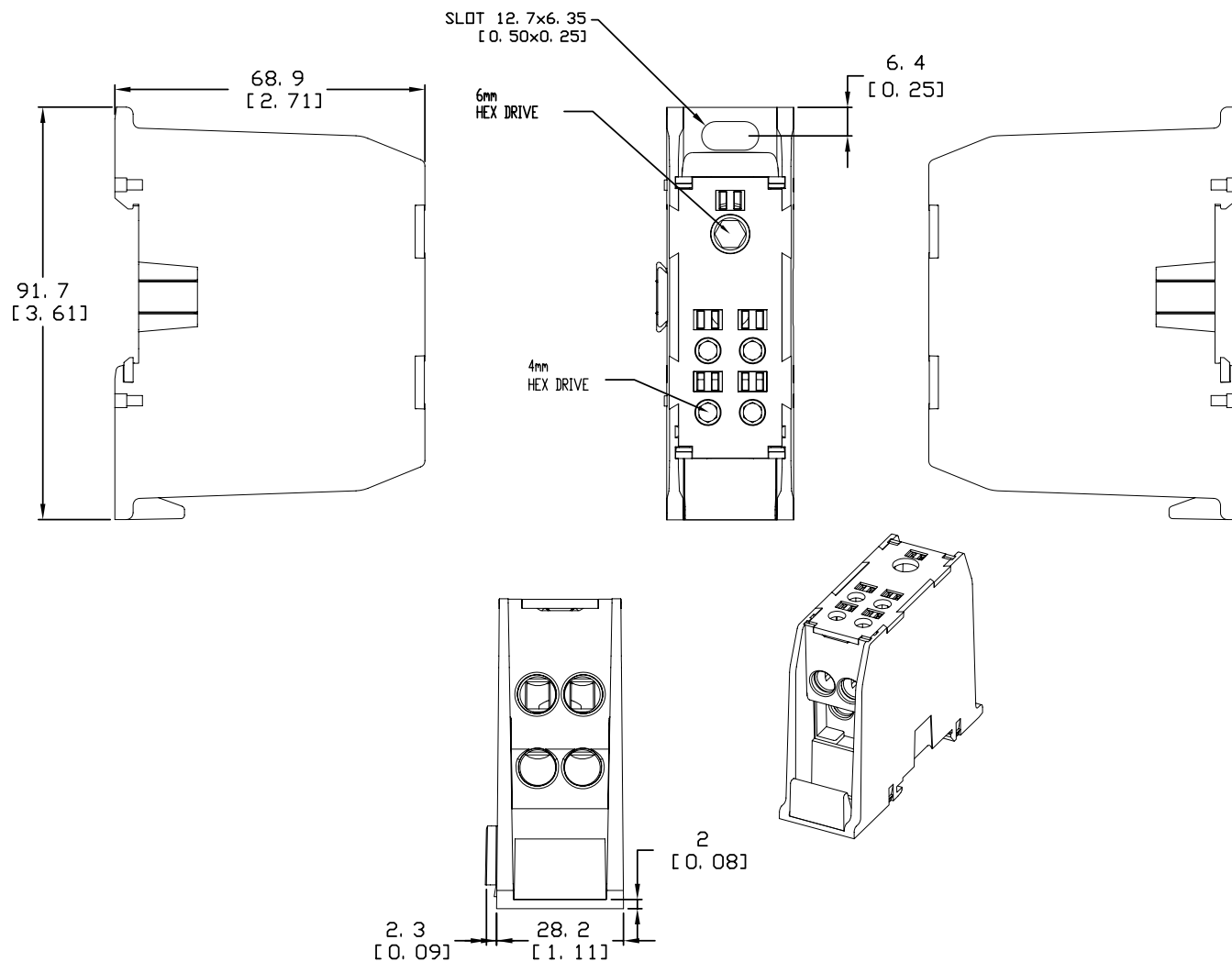


# GDB SERIES TOUCH-SAFE POWR-BLOKS™

## Global Distribution Blocks

### Dimensions Millimeters (in)

GDBAD451Z

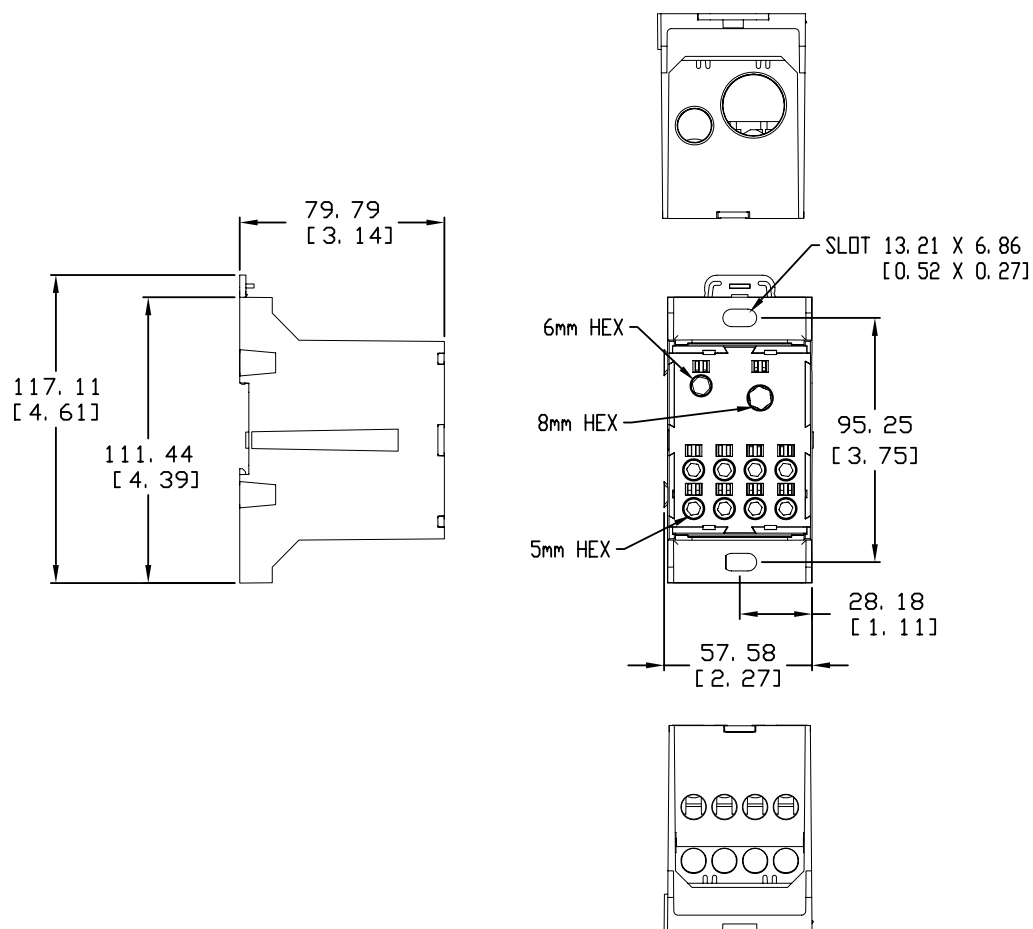


# GDB SERIES TOUCH-SAFE POWR-BLOKS™

## Global Distribution Blocks

### Dimensions Millimeters (in)

GDBAD741Z



**Disclaimer Notice** – Information furnished is believed to be accurate and reliable. However, users should independently evaluate the suitability of and test each product selected for their own applications. Littelfuse products are not designed for, and may not be used in, all applications. Read complete Disclaimer Notice at [www.littelfuse.com/product-disclaimer](http://www.littelfuse.com/product-disclaimer).