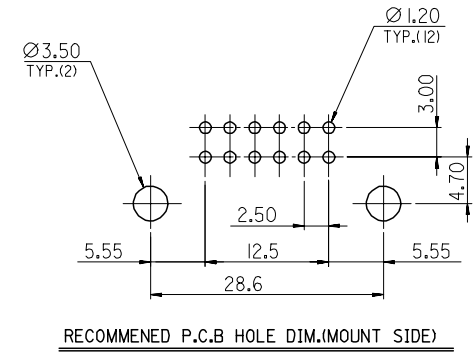
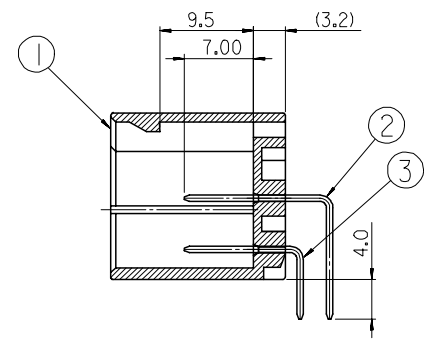
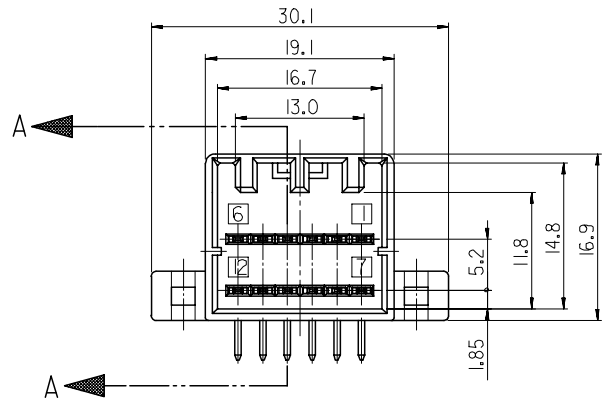
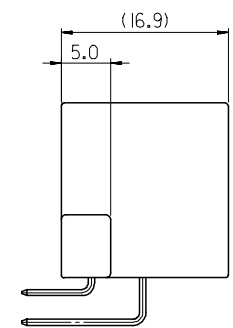
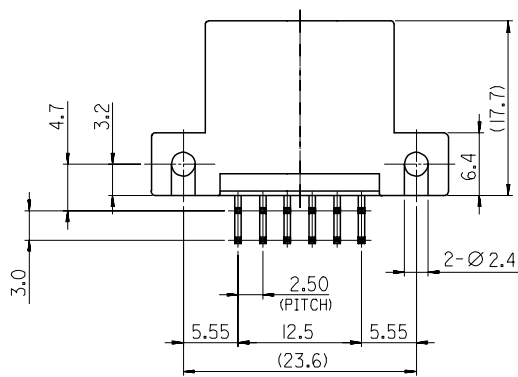


DO NOT SCALE DRAWING DIMENSION IN METRIC
 PROJECT NO.
 SIMILAR ITEM
 DWG. NO. SD-68145-312

NO.	PART NO.	COLOR
1	68145-1221	BLACK
2	68145-1225	GRAY
3	68145-1226	WHITE



SECTION A-A



NOTES

1. APPLICABLE FEMALE HOUSING : 64002-121*

NO.	DESCRIPTION	MATERIAL	REMARK
①	HOUSING	PBT, G/F 15%	UL94HB
②	PIN(L)	BRASS	PRE-TIN PLATED
③	PIN(S)		

ADDED OF PART EC NO. KOR2006-0147 DRWN:EOJKIM 06/06/01 CHK:BC YOON 06/06/01 APPR:SHLCHOI 06/06/01	QUALITY SYMBOLS MAJOR CRITICAL	GENERAL TOLERANCES: (UNLESS SPECIFIED)		SCALE 2:1	DESIGN UNITS <input checked="" type="checkbox"/> mm <input type="checkbox"/> INCH	THIRD ANGLE PROJECTION	DIMENSIONS: <input type="checkbox"/> mm <input type="checkbox"/> INCH <input type="checkbox"/> mm <input checked="" type="checkbox"/> ONLY		SHT	REV	
		4 PLACES	±0.	±.	DRAWN BY & DATE B.C.YOON 02/07/12		TITLE: .040 WIRE TO BOARD CONNECTOR 12P HEADER ASS'Y-R/A(HZT)				
		3 PLACES	±0.	±.	CHECKED BY & DATE Y.SIK.KIM 02/07/12						
		2 PLACES	±0.25	±.	APPROVED BY & DATE C.W.LEE 02/07/12		MOLEX INCORPORATED MATERIAL NO. SEE TABLE DRAWING NO. SD-68145-312 SHEET NO. 1 OF 1				
1 PLACE	±0.30	±.	ANGULAR: ± 1 °		CAD FILENAME S6814512D.DGN THIS DRAWING CONTAINS INFORMATION THAT IS PROPRIETARY TO MOLEX INCORPORATED AND SHOULD NOT BE USED WITHOUT WRITTEN PERMISSION.						
B REV	DESCRIPTION	DRAFT WHERE APPLICABLE MUST REMAIN WITHIN DIMENSIONS		THIS DRAWING CONTAINS INFORMATION THAT IS PROPRIETARY TO MOLEX INCORPORATED AND SHOULD NOT BE USED WITHOUT WRITTEN PERMISSION.							SIZE B