

CONFIDENTIAL

注記 NOTES

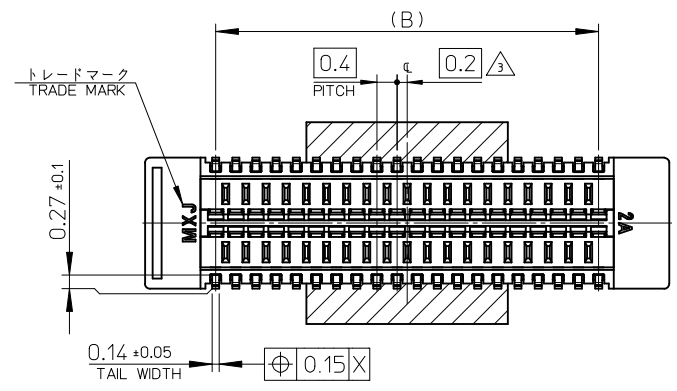
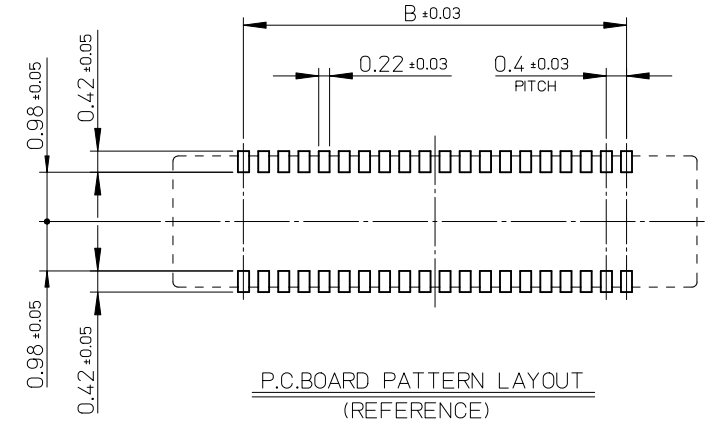
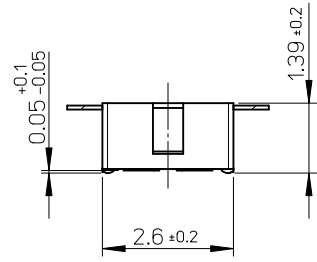
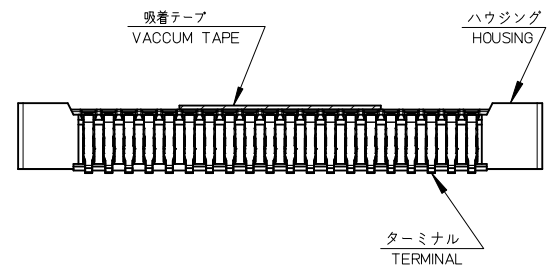
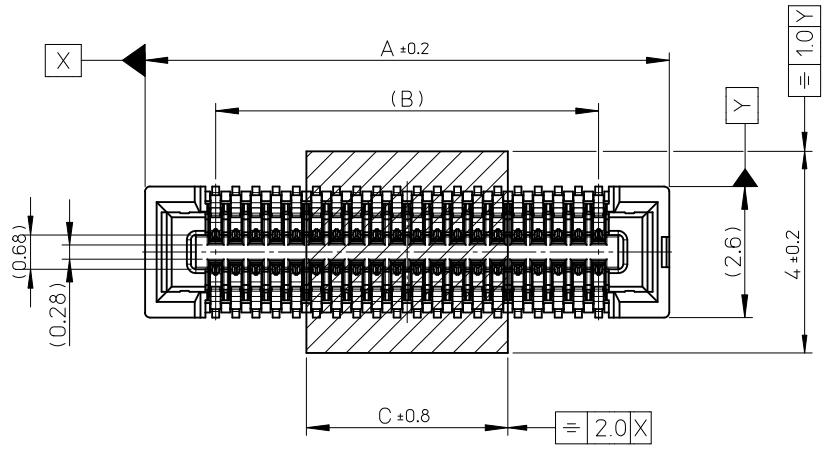
1. 使用材料 MATERIAL

ハウジング：液晶ポリマー（LCP） ガラス充填 UL94V-0（黒）
 HOUSING: LIQUID CRYSTAL POLYMER (GLASS FILLED) UL94V-0 (COLOR: BLACK)
 ターミナル：りん青銅 (t=0.1)
 TERMINAL: PHOSPHOR BRONZE (t=0.1)
 吸着テープ：ポリイミド
 VACUUM TAPE: POLYIMIDE

2. メッキ仕様 PLATING

ターミナル TERMINAL
 金メッキ 0.1 マイクロメートル以上(コンタクト部)
 GOLD 0.1MICROMETER MINIMUM(CONTACT AREA)
 金メッキ 0.05 マイクロメートル以上(テール部)
 GOLD 0.05MICROMETER MINIMUM(TAIL AREA)
 下地メッキ：ニッケルメッキ 1.0 マイクロメートル以上
 UNDER PLATING: NICKEL 1.0MICROMETER MINIMUM
 ※コンタクト部とテール部はニッケルメッキによって分断されている金メッキです。
 DIVIDE INTO PARTS THE GOLD PLATING OF THE CONTACT AND THE TAIL PART BY THE NICKEL PLATING.

- △3 (全極数/2) = 偶数の場合に適用。
 APPLY FOR (CIRCUIT/2) = EVEN.
- 4. 嵌合相手: 503108 シリーズ
 MATE WITH: 503108 SERIES.
- 5. テール平坦度は、0.1 以下
 TAIL COPLANARITY TO BE 0.1 MAXIMUM.
- 6. ELV 及び RoHS 適合品
 ELV AND RoHS COMPLIANT.



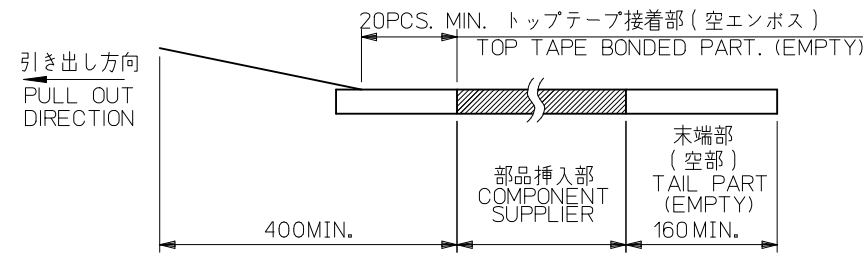
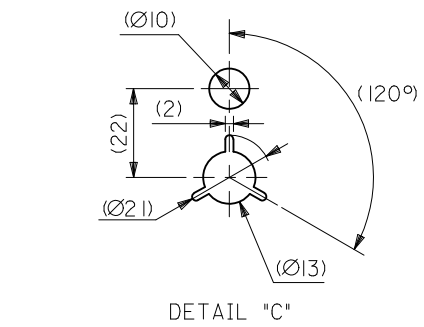
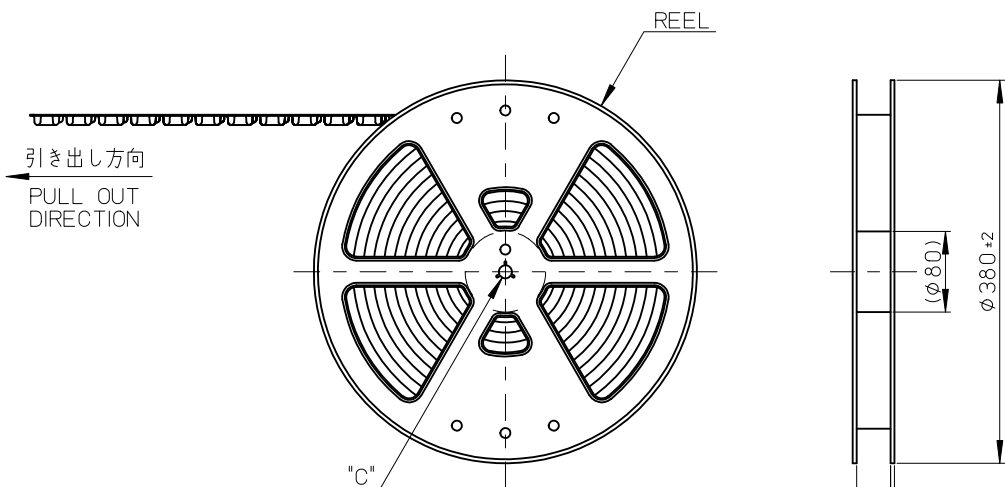
7.0	9.6	12.4	503105-5030	50
4.0	7.6	10.4	503105-4030	40
C	B	A	EMBOSSED TAPE	CKT.
			ORDER No. オーダー番号	
			MODEL No. : 503105-***39	

RELEASED EC NO.: J2012-1165 DRWN: DNITA 2012/02/28 CHKD: TASAKAWA 2012/02/28 APPR: MSASAO 2012/02/28	GENERAL TOLERANCES (UNLESS SPECIFIED)		DIMENSION STYLE MM ONLY		SCALE 10:1	DESIGN UNITS METRIC	THIRD ANGLE PROJECTION
	10 UNDER	± ---	DRAWN BY DNITA	DATE 2012/02/28	TITLE 0.4 B-T-O-B CONN. HGT=1.5 W=2.6 W/O NAIL REC ASSY WITH TAPE		
	10 OVER 30 UNDER	± ---	CHECKED BY TASAKAWA	DATE 2012/02/28	MOLEX INCORPORATED		
	30 OVER	± ---	APPROVED BY MSASAO	DATE 2012/02/28	DOCUMENT NO. SD-503105-005		
	ANGULAR	± --- °	MATERIAL NO.	SEE CHART	SHEET NO. 1 OF 1		
DRAFT WHERE APPLICABLE MUST REMAIN WITHIN DIMENSIONS		THIS DRAWING CONTAINS INFORMATION THAT IS PROPRIETARY TO MOLEX INCORPORATED AND SHOULD NOT BE USED WITHOUT WRITTEN PERMISSION					

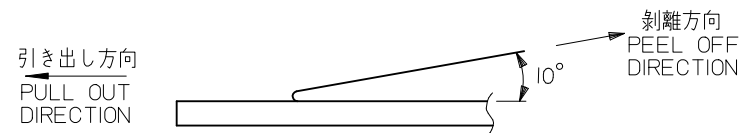
注記 NOTES

CONFIDENTIAL

- 製品詳細寸法については製品単体図面を参照下さい。
RE DETAILED DIMENSION, SEE PRODUCT DRAWING.
- 梱包数量: 3000 個/リール
NUMBER OF CONNECTORS : 3000PCS/REEL
- リードテープ長さ LEAD TAPE LENGTH

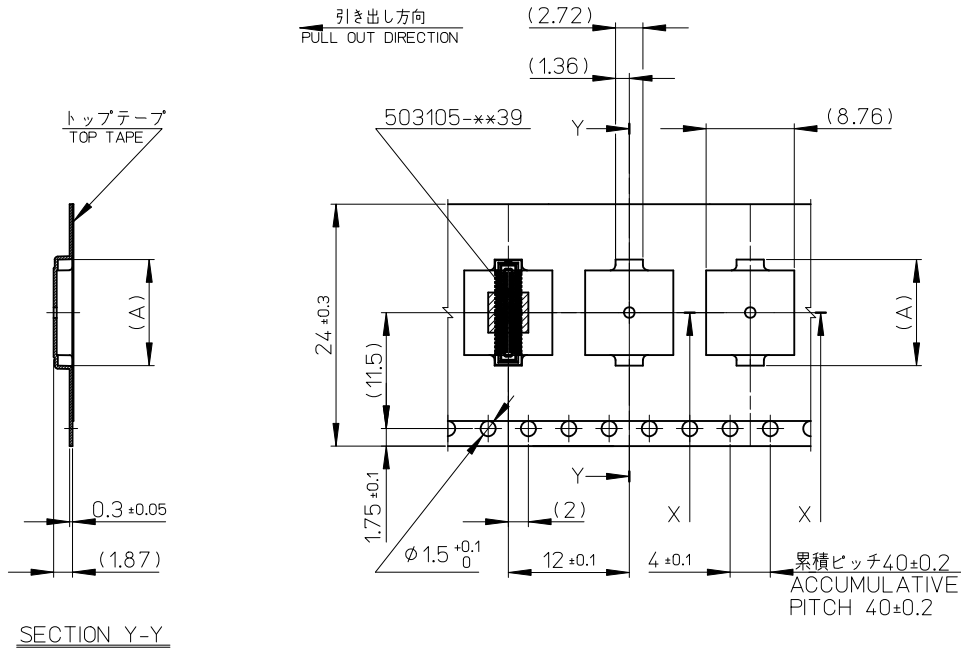


- トップテープの剥離強度: 0.1N~1.3N(10gf~130gf)
(剥離方向は下図参照)
尚、本規格値は出荷時に適用。(但し、輸送時に剥離が発生しないこと。)
PEELING OFF FORCE OF TOP TAPE : 0.1N~1.3N(10gf~130gf)
(PEELING DIRECTION AS SHOWN IN FOLLOWING FIG.)
THIS REQUIREMENT SHOULD BE APPLIED AT SHIPMENT.
PEEL OFF SHOULD NOT BE ALLOWED , DURING TRANSPORTION.



- 材料 MATERIAL
キャリアテープ (CARRIER TAPE) : ポリスチレン (POLYSTYRENE)
トップテープ (TOP TAPE) : PET , PE , PEF
リール (REEL) : ポリスチレン (PS) <リサイクル材を含む>
POLYSTYRENE (PS) <RECYCLE MATERIAL CONTAINED>
- ELV 及び RoHS適合品
ELV AND RoHS COMPLIANT

RELEASED EC NO: J2012-1165 2012/02/28 DRWN:DNITA CHKD:TASAKAWA APPR:MSASAO 2012/02/28	DESCRIPTION REV A	GENERAL TOLERANCES (UNLESS SPECIFIED)		DIMENSION STYLE MM ONLY		SCALE ---	DESIGN UNITS METRIC	MODEL NO. 503105-***30	
		10 UNDER	± ---	DRAWN BY DNITA	DATE 2012/02/28	TITLE 0.4 B-T0-B CONN. HGT=1.5 REC ASSY EMBSTP PKG WITH TAPE			
		10 OVER 30 UNDER	± ---	CHECKED BY TASAKAWA	DATE 2012/02/28	MOLEX INCORPORATED			
		30 OVER	± ---	APPROVED BY MSASAO	DATE 2012/02/28	DOCUMENT NO. SD-503105-006			
ANGULAR ± --- °		DRAFT WHERE APPLICABLE MUST REMAIN WITHIN DIMENSIONS		MATERIAL NO. SEE CHART		SHEET NO. 1 OF 2			
				SIZE A3		THIS DRAWING CONTAINS INFORMATION THAT IS PROPRIETARY TO MOLEX INCORPORATED AND SHOULD NOT BE USED WITHOUT WRITTEN PERMISSION			



24mm 幅キャリアテープ
24mm WIDTH CARRIER TAPE

24	25.5	12.52	503105-5030	50
		10.52	503105-4030	40
キャリアテープ幅 CARRIER TAPE WIDTH	B	(A)	MATERIAL No.	CKT.
			MODEL No.	503105-***30

RELEASED EC NO: J2012-1165 DRWN:DNITA 2012/02/28 CHKD:TASAKAWA 2012/02/28 APPR:MSASAO 2012/02/28	GENERAL TOLERANCES (UNLESS SPECIFIED)
	10 UNDER ± --- 10 OVER 30 UNDER ± --- 30 OVER ± ---
	ANGULAR ± --- ° DRAFT WHERE APPLICABLE MUST REMAIN WITHIN DIMENSIONS
	DIMENSION STYLE MM ONLY

DRAWN BY	DATE
DNITA	2012/02/28
CHECKED BY	DATE
TASAKAWA	2012/02/28
APPROVED BY	DATE
MSASAO	2012/02/28
MATERIAL NO.	
SEE CHART	
SIZE	
A3	

SCALE	DESIGN UNITS	THIRD ANGLE PROJECTION
---	METRIC	☉ □
TITLE		
0.4 B-TO-B CONN. HGT=1.5 REC ASSY EMBSTP PKG WITH TAPE		
MOLEX INCORPORATED		
DOCUMENT NO.	SHEET NO.	
SD-503105-006	2 OF 2	