

NOTE:

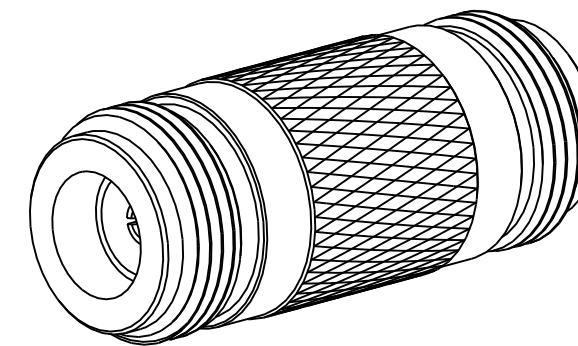
- 1. ELECTRIC PERFORMANCE
  - IMPEDANCE ( $\Omega$ ) : 50
  - FREQUENCY RANGE : DC-6GHz
  - VSWR :  $\leq 1.065$  (DC-3GHz)
  - :  $\leq 1.2$  (3-6GHz)
  - INSERT LOSS (dB) :  $\leq 0.1$
  - PIM(dBc) :  $\leq -160$  (2X43dBm)
  - INSULATION RESISTANCE ( $M\Omega$ ) : 5000
  - PROOF VOLTAGE (V) : 2500
  - CONDUCTOR RESISTANCE ( $m\Omega$ ) : OUTER CONDUCTOR  $<0.2$
  - : INNER CONDUCTOR  $<0.8$

- II. MECHANICAL PERFORMANCE
  - MECHANICAL WEAR : 500

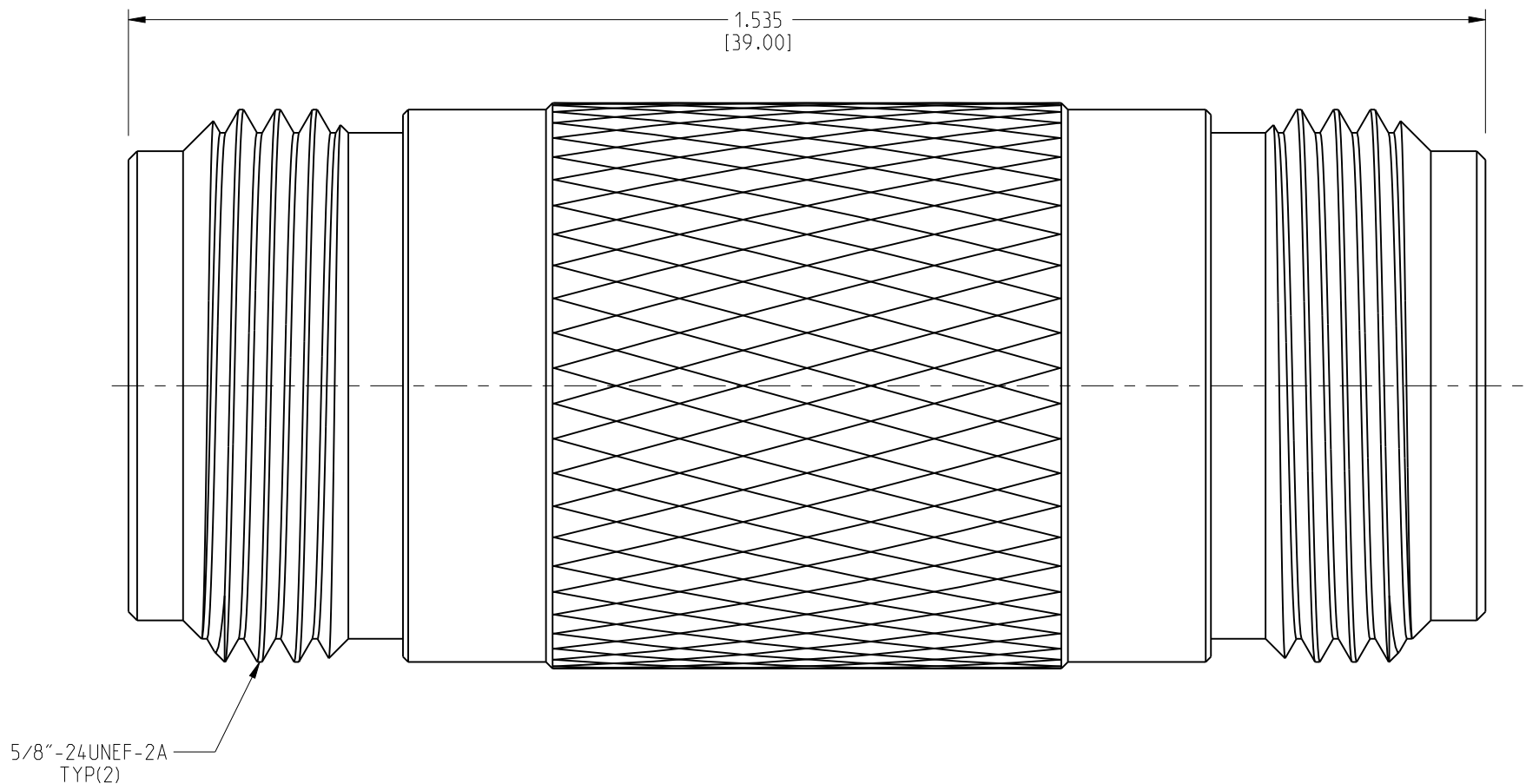
- III. MATERIAL AND PLATING
  - OUTER CONDUCTOR : BRASS PLATING COPPER-TIN-ZINC  $\geq 2 \mu m$
  - INNER CONDUCTOR : SPRING COPPER PLATING Ag  $\geq 5 \mu m$
  - INSULATOR : PTFE

- IV. ENVIRONMENT
  - TEMP RANGE :  $-55^{\circ}C$  TO  $+155^{\circ}C$
  - WATERPROOF STANDARD : IP67
  - ROHS COMPLIANT

172370		REVISIONS			
DRAWING NO.	REV	DESCRIPTION	DATE	ECO	APPR
THIRD ANGLE PROJ.	A	RELEASE TO MFG.	01-Oct-12	--	MG



SCALE 2.000



3	INSULATOR	PTFE	NATURAL	1
2	INNER CONDUCTOR	SPRING COPPER	SILVER	1
1	OUTER CONDUCTOR	BRASS	WHITE BRONZE	1
NO	DESCRIPTION	MATERIAL	FINISH	QTY

UNLESS OTHERWISE SPECIFIED, DIMENSIONS ARE IN INCHES AND TOLERANCES ARE: 2 PLACE DECIMAL $\pm 0.015$ (0,381 mm) 3 PLACE DECIMAL $\pm 0.005$ (0,127 mm) ANGLES $\pm 1^{\circ}$	MATERIAL SEE NOTES	DRAWN GOPI M	DATE 01-Oct-12	TITLE N FEMALE TO N FEMALE ADAPTER, LOW PIM	Amphenol Connex	
	REFERENCE	ENGINEER GOPI M	DATE 01-Oct-12			
NOTICE - These drawings, specifications, or other data (1) are, and remain the property of Amphenol Corp. (2) must be returned upon request; and (3) are confidential and not to be disclosed to any person other than those to whom they are given by Amphenol Corp. The furnishing of these drawings, specifications, or other data by Amphenol Corp., or to any other person to anyone for any purpose is not to be regarded by implication or otherwise in any manner licensing, granting rights or permitting such holder or any other person to manufacture, use or sell any product, process or design, patented or otherwise, that may in any way be related to or disclosed by said drawings, specifications, or other data.		APPROVED	DATE		SCALE: 5.3:1	SHEET 1 OF 1
		CAD FILE	DWG SIZE	DRAWING NO.	REV	
		B	172370	A		