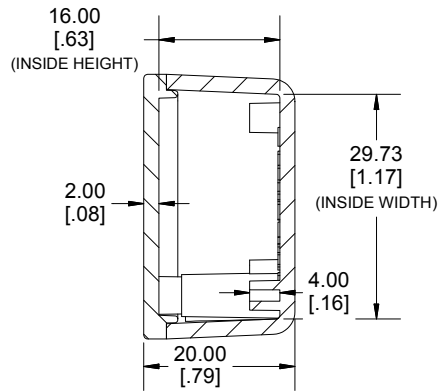
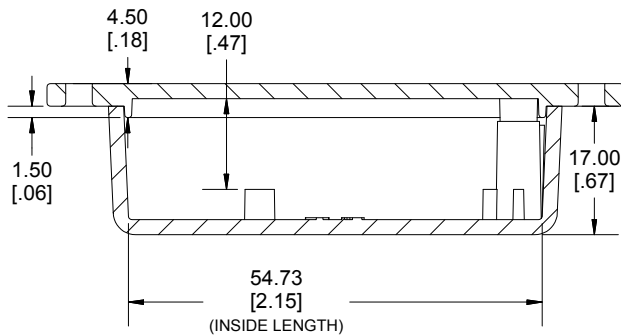


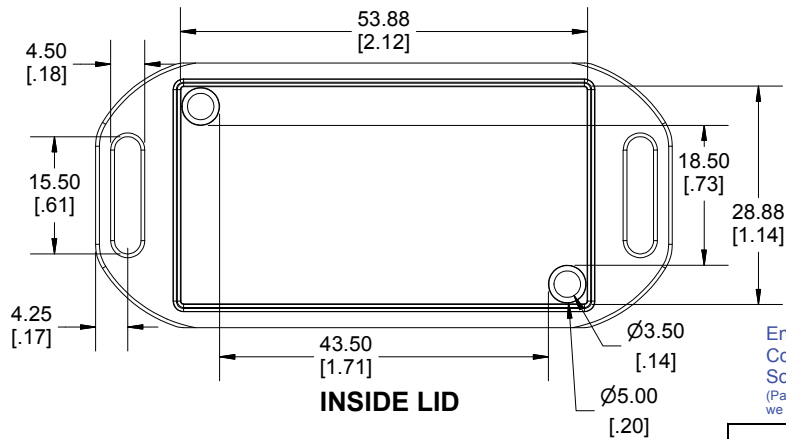
TOP VIEW



END VIEW SECTION B-B



SIDE VIEW SECTION A-A



INSIDE LID

Enclosures can be Factory Modified (Milling, Drilling, Printing etc.)
 Contact Factory mjm@hammondmfg.com for quotes
 Solid models of this enclosure available in STEP or IGES.
 (Part number and text placement/orientation on our products are subject to change, we do not recommend using them as a locating reference for modification purposes)

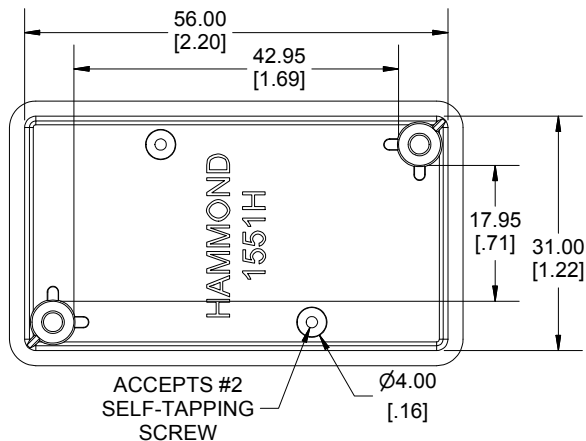
NOTE

Purchased assembly includes box, lid, 2 cover screws.
 Enclosure molded from general purpose ABS Plastic.
 Other materials / colours available consult factory.

Recommended Torque : (35-43) Ozf.in / (25-30) cN.m

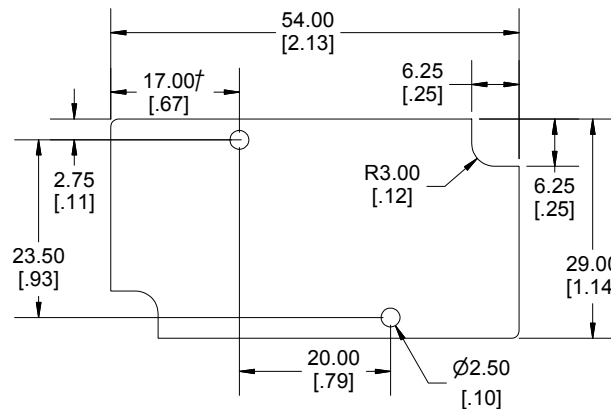
PART NUMBERS

1551HFL Enclosure		
Black Enclosure - Ral 9011 - UL94 - HB		1551HFLBK
Gray Enclosure - RAL 7035 - UL94 - HB		1551HFLGY
Translucent Blue - UL94 - HB		1551HFLTBU
ACCESSORIES		
Black Cover Screws #4 X 1/2" Self-tapping		1591TS100BK (Pkg 100)
Plated Cover Screws #4 X 1/2" Self-tapping		1591TS100 (Pkg 100)
P.C. Board Screws		1551ATS50 (Pkg 50)
#2 x 3/16" self-tapping (4.8mm)		1551ATS100 (Pkg 100)



INSIDE BOX

ACCEPTS #2 SELF-TAPPING SCREW



MAXIMUM P.C. BOARD SIZE

Dimensions:
mm
[inches]

