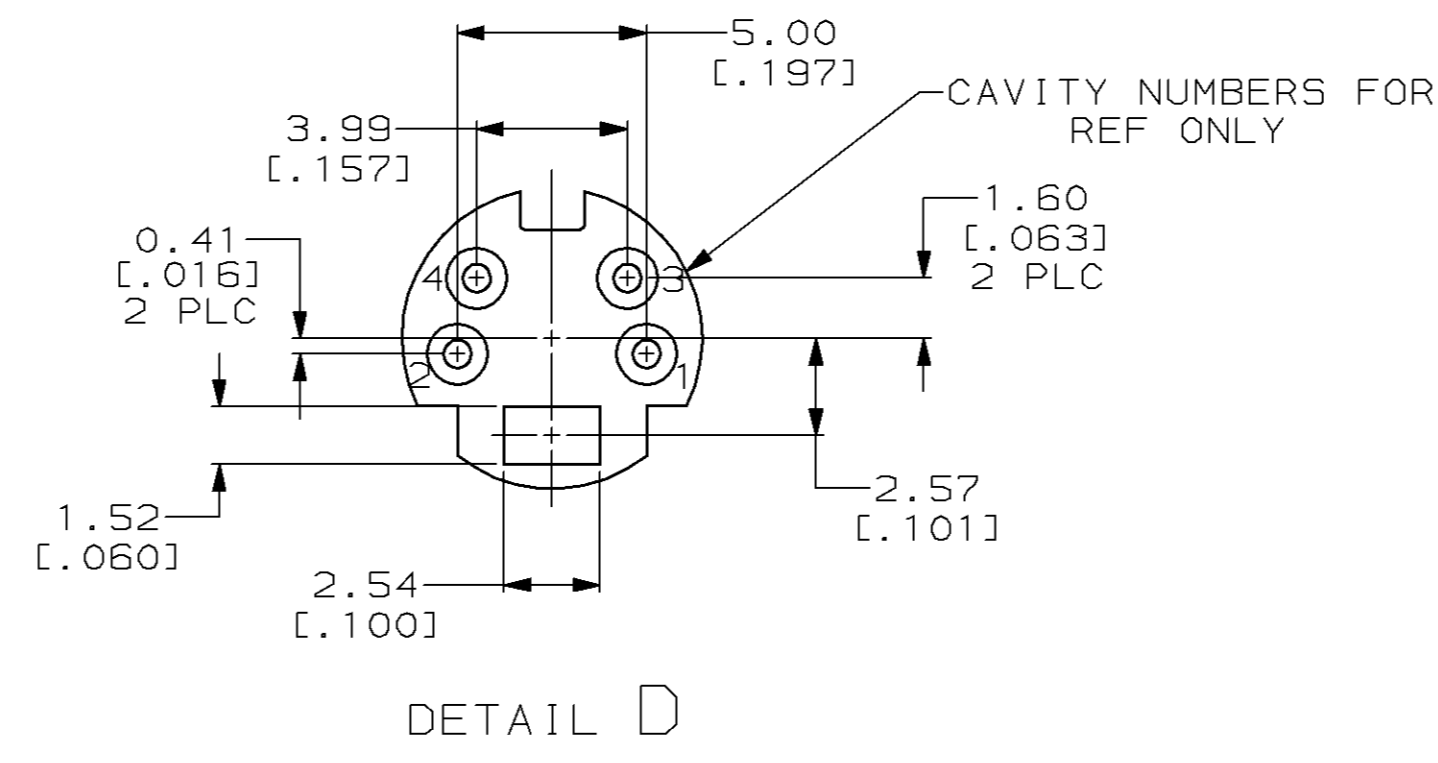
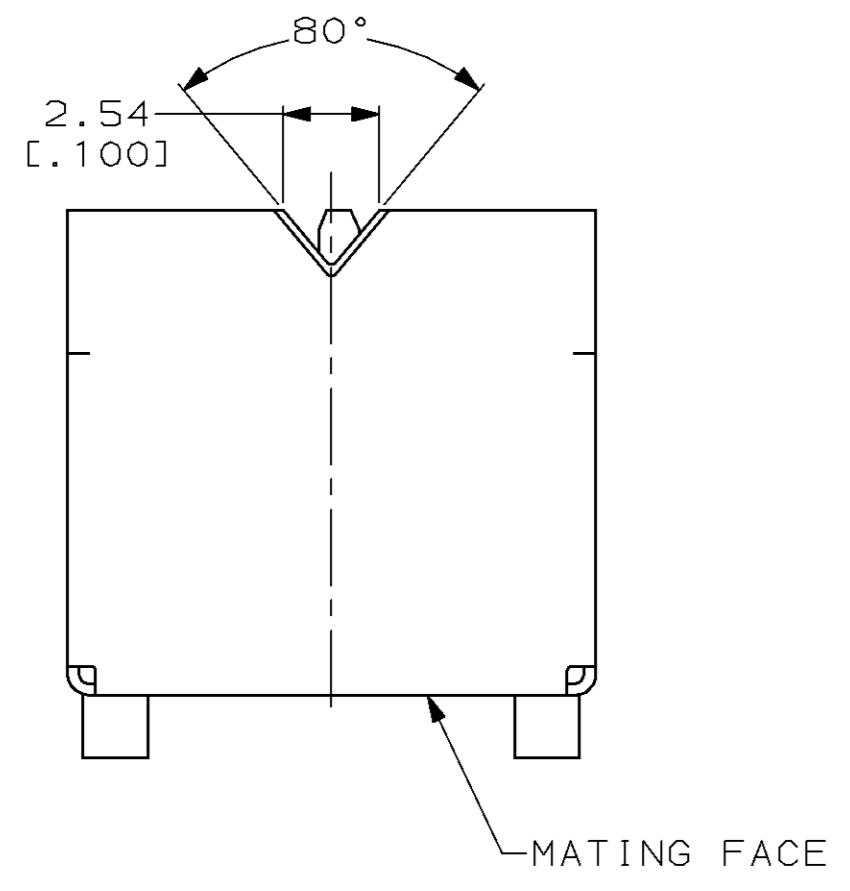
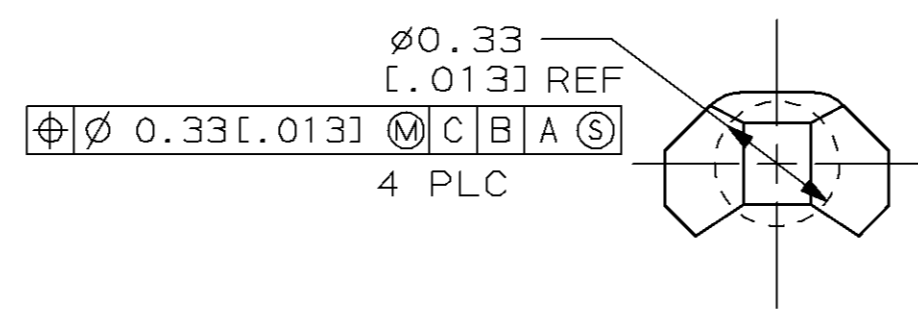
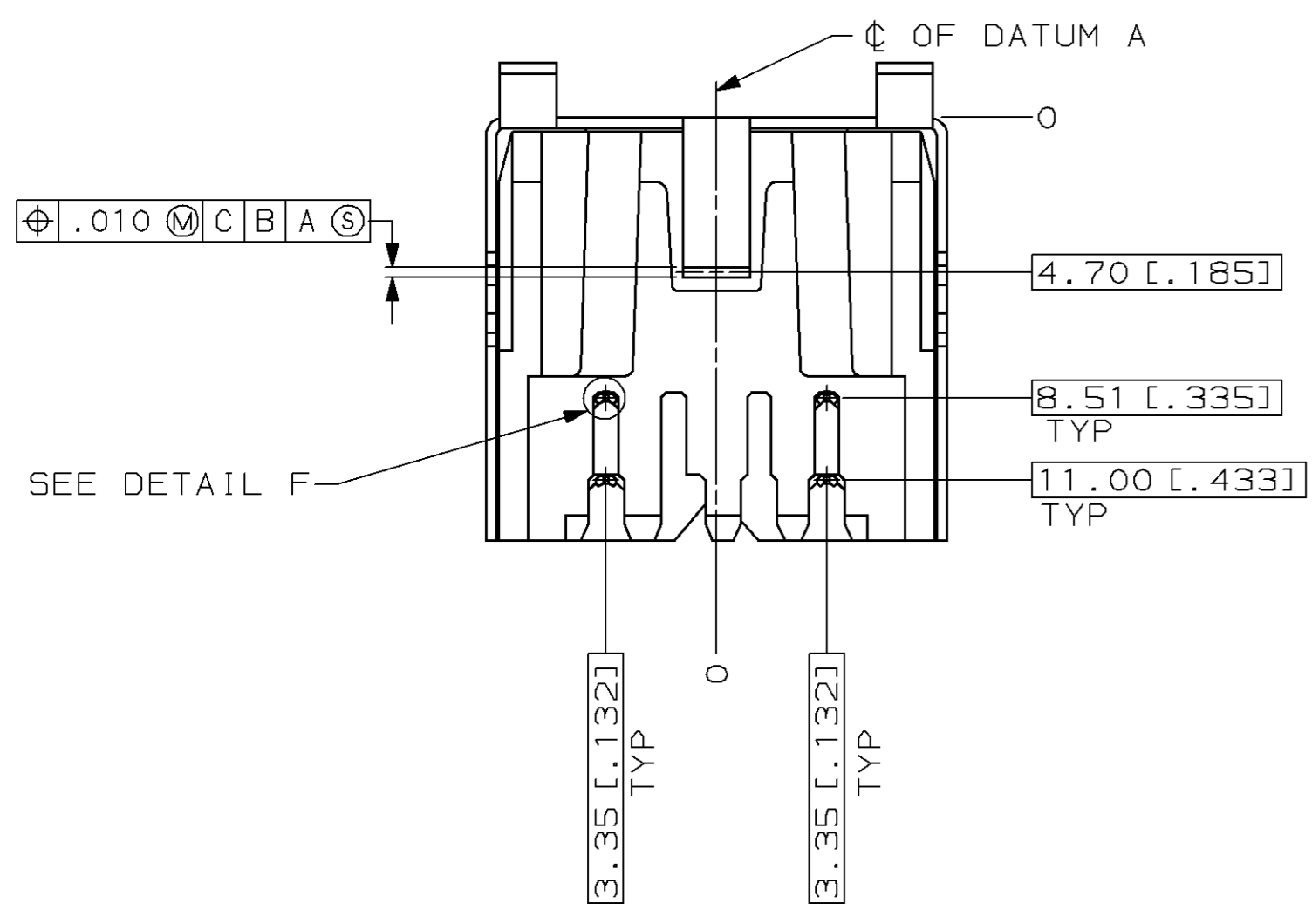
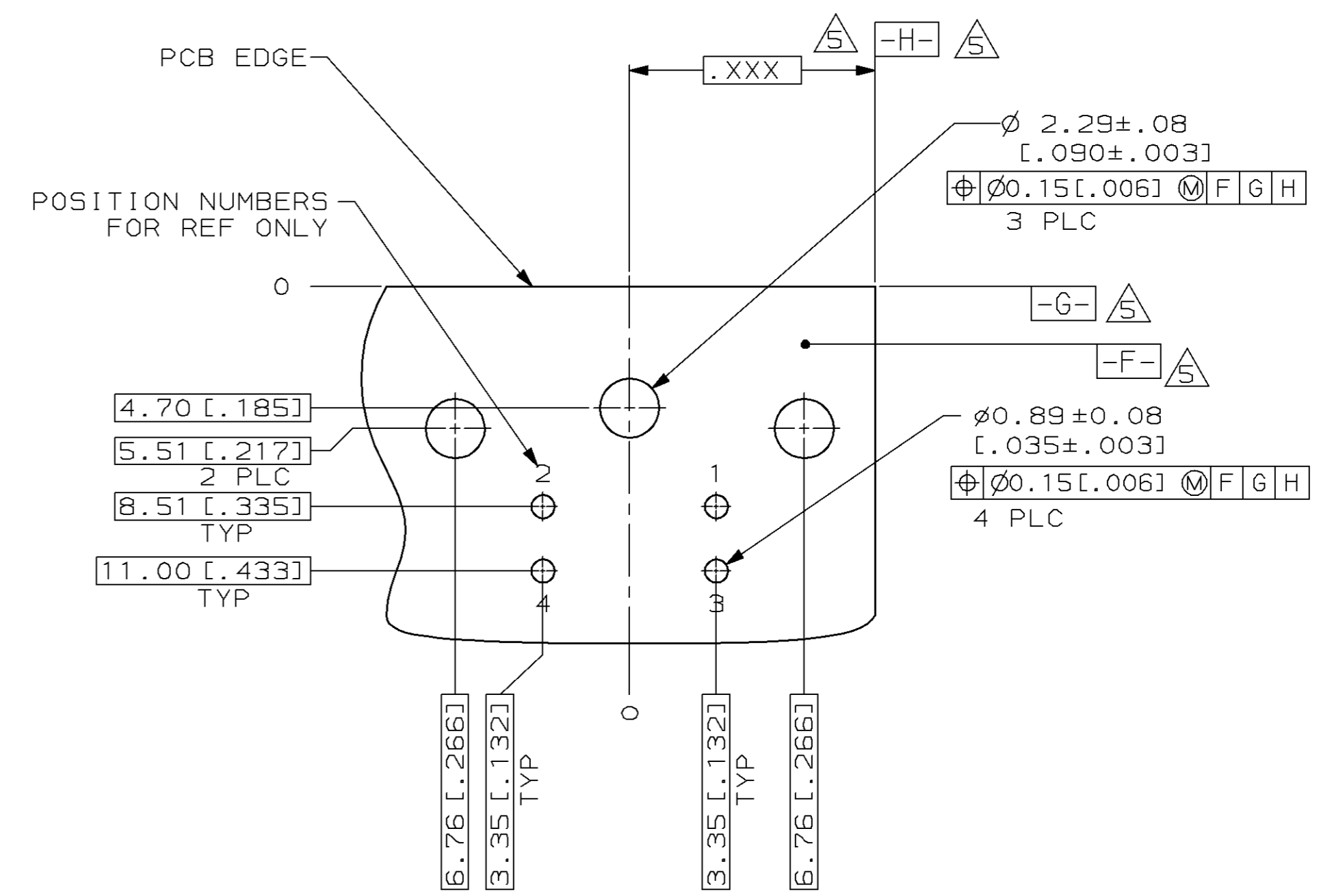
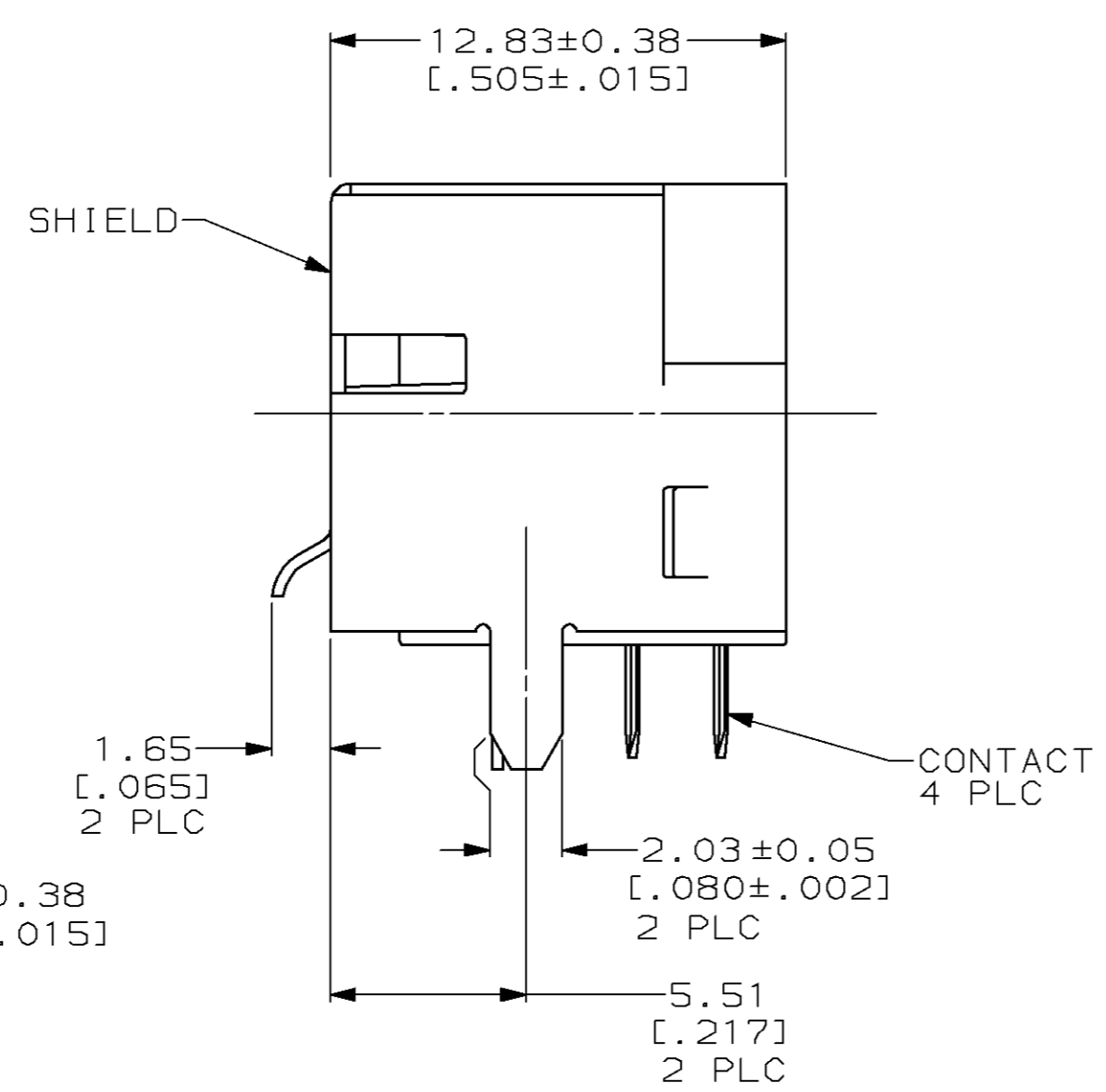
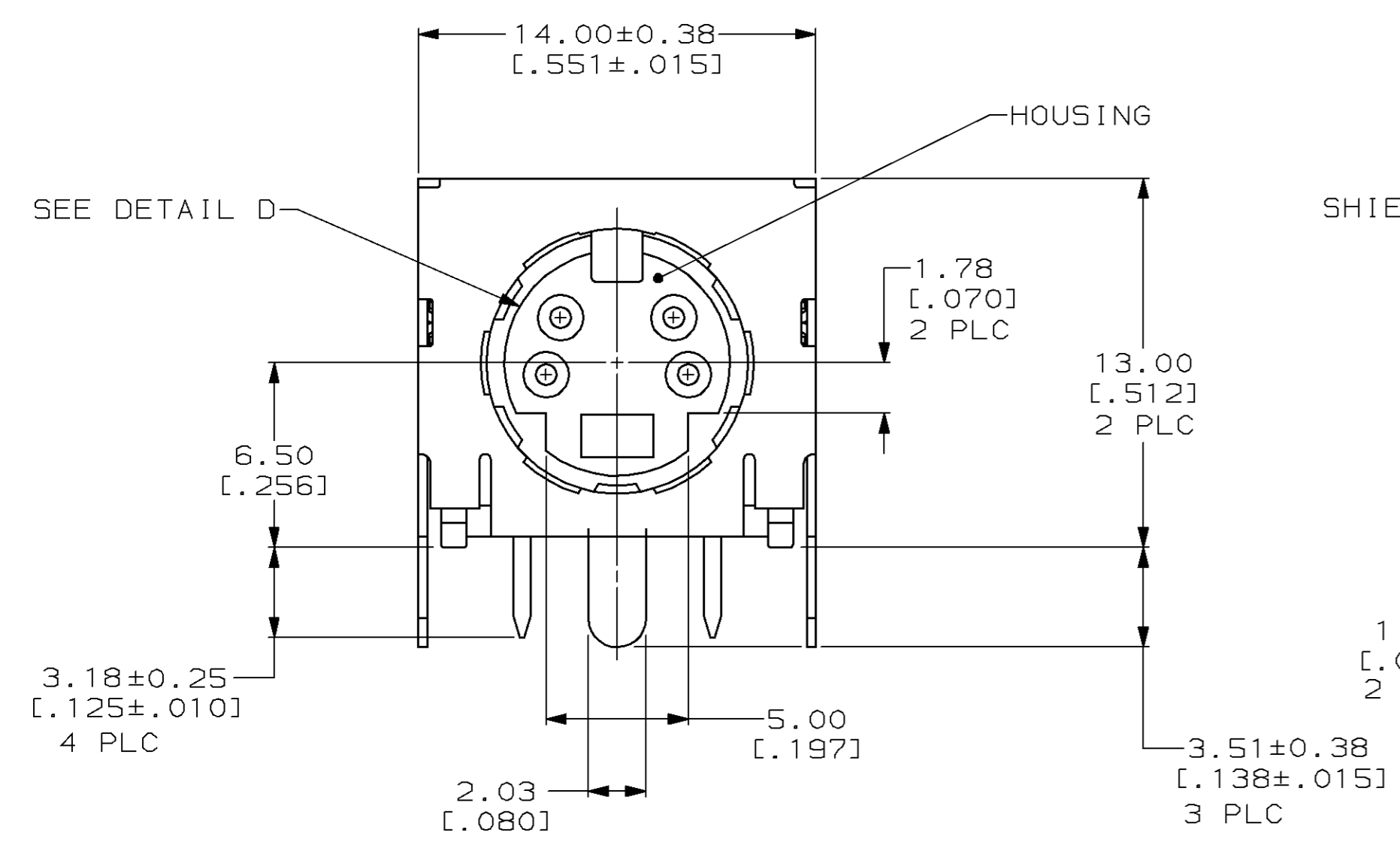


LOC		DIST		REV		REVISIONS		
BD	26	P	F	ZONE	LTR	DESCRIPTION	DATE	APPD
						RLSE PER NPR 2674 & REV PER ECN BD3723	02/15/90	-
						REV PER EC 0020-824-95	12 OCT 95	JGH
						REV PER EC 0410-95-96	04 MAR 97	JGH
						REV PER EC 0410-281-97	28 SEP 97	JGH
						REV PER EC 0410-410-97	05 FEB 98	JGH



- 1 SHIELD & CONTACTS: COPPER ALLOY.
HOUSING: POLYESTER, UL 94V-0 RATED, BLACK.
- 2 0.76 μm [0.00030] MIN GOLD FOR A LENGTH OF 1.27 [0.050] MIN FROM MATING END, 3.05 μm [0.00120] MIN TIN-LEAD ON OPPOSITE END, BOTH OVER 1.27 μm [0.00050] MIN NICKEL.
- 3 1.50-4.00 μm [0.00059-0.00158] THICK BRIGHT TIN.
- 4 GOLD PLATING PER MIL-G-45204, TIN PLATING PER MIL-T-10727, NICKEL PLATING PER QQ-N-290.
- 5 DATUMS AND BASIC DIMENSION SUPPLIED BY CUSTOMER.



DETAIL F
SCALE 50:1

RECOMMENDED PC BOARD LAYOUT
BOTTOM VIEW

DO NOT SCALE PRINT. UNLESS SPECIFIED DIMENSIONS IN mm [INCHES] TOLERANCES ON: 2 PLC DEC ± 0.13 [0.005] 3 PLC DEC ± - ANGLES ± 2°		DR 02/15/90 L.SIPE	750069-1 PART NO	
MATERIAL	APPD 03/20/90 R.WHYNE	AMP INCORPORATED Harrisburg, Pa. 17105		
FINISH	APPD 03/20/90 J.FULPONI	NAME RECEPTACLE ASSEMBLY, FRONT PANEL GROUNDING, 4 POSN, RIGHT ANGLE, MINIATURE CIRCULAR DIN		
SHIELD: 3	PRODUCT SPEC 108-1225	SIZE D	CAGE CODE 00779	DRAWING NO 750069
CONTACTS: 2	APPLICATION SPEC -	SCALE 5:1	WEIGHT -	SHEET 1 OF 1