

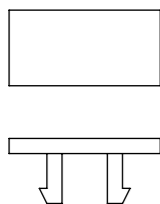
TABLE 1

MOLEX P/N	ENG. NO.	CABLE LENGTH (mm)	LED
1202470010	BEB801P-FBW-003	300	YES
1202470011	BEB801P-FBW-02	2000	YES
1202470012	BEB801P-FBW-05	5000	YES
1202470013	BEB801P-FBW-10	10000	YES
1202470014	BEB801P-FBW-15	15000	YES
1202470015	BEB801P-FBW-20	20000	YES
1202470034	BEB8010-FBW-05	5000	NO
1202470035	BEB8010-FBW-10	10000	NO
1202470036	BEB8010-FBW-15	15000	NO

TABLE 2

ITEM	COMPONENT	MATERIAL	FINISH
1	INSERT	TPU	BLACK
2	CONTACT SOCKET	COPPER ALLOY	GOLD OVER NICKEL
3	O-RING	VITON	RED
4	RECEPTACLE SHELL	BRASS	NICKEL PLATED
5	HOUSING	PBT	BLACK
6	CABLE	TPU	BLACK
7	LABEL	ABS	WHITE
8	LABLE ADHESIVE	PE	WHITE
9	CABLE PLATE	PBT	BLACK
10	LED	NO LED = PA	BLACK
		WITH LED = PA	TRANSPARENT
11	RESIN	EPOXY	TRANSPARENT

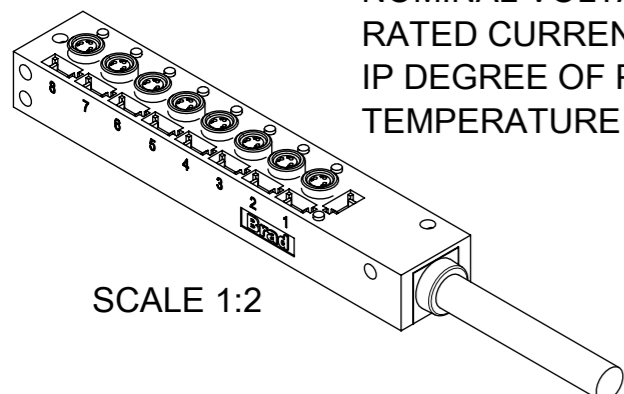
SCALE 2:1



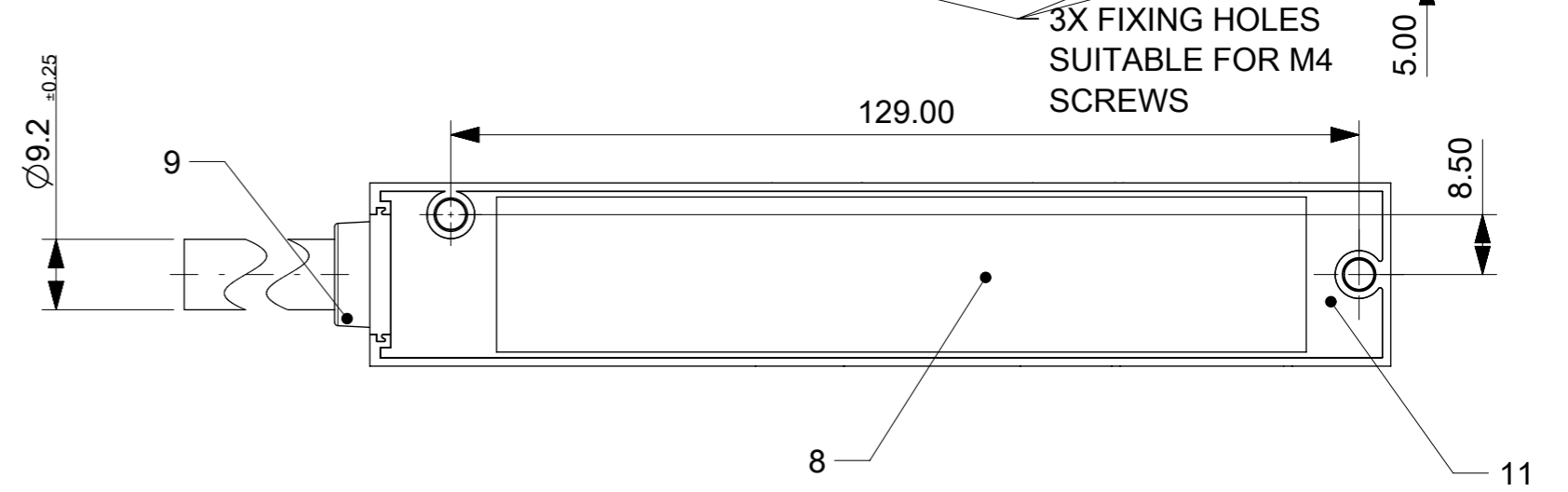
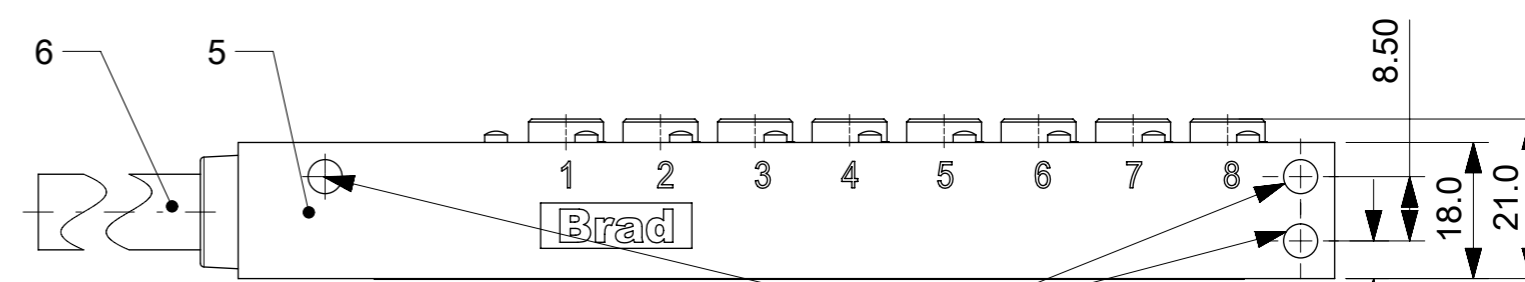
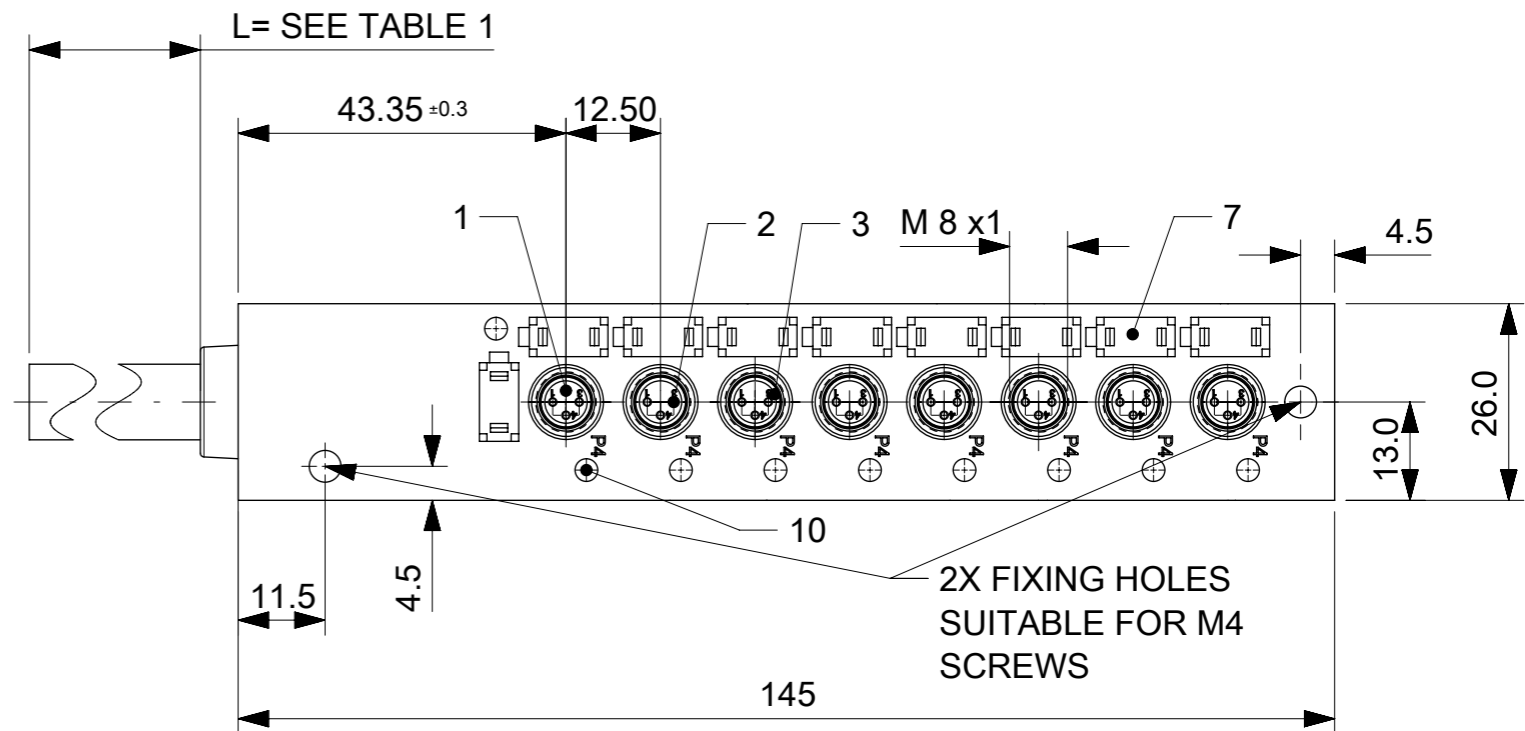
LABEL
9x packed in a bag.

GENERAL CHARACTERISTICS:

NOMINAL VOLTAGE: 24 V DC
 RATED CURRENT: 2 A PER PORT / 6 A MAX: TOTAL
 IP DEGREE OF PROTECTION: IP 68
 TEMPERATURE RANGE: -25°C to + 85°C



SCALE 1:2

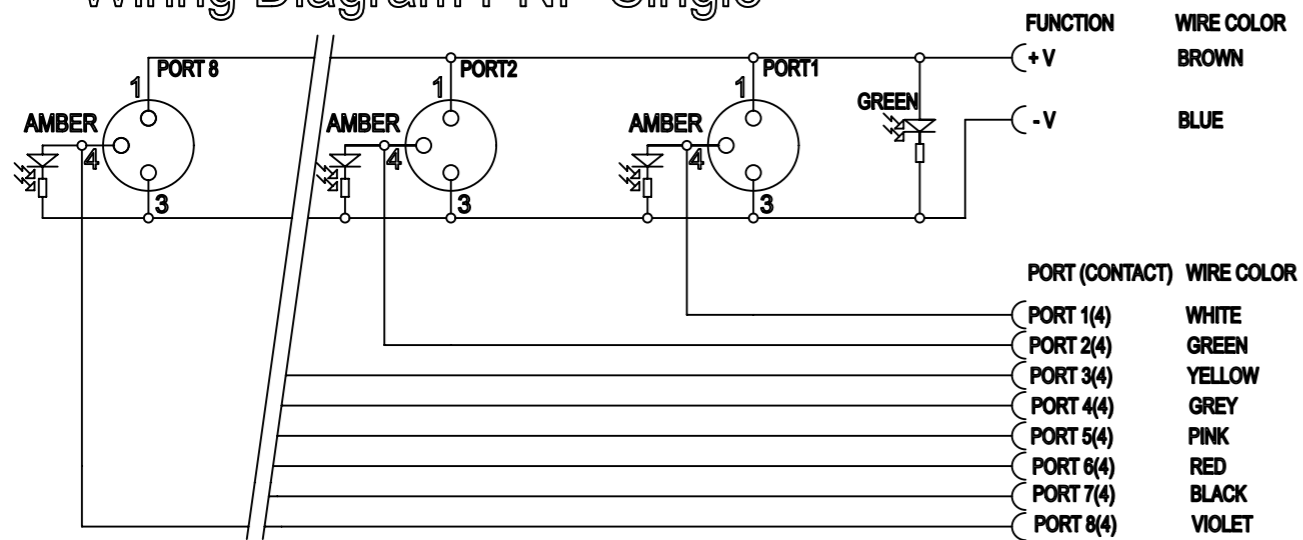


CABLE LENGTH TOLERANCES

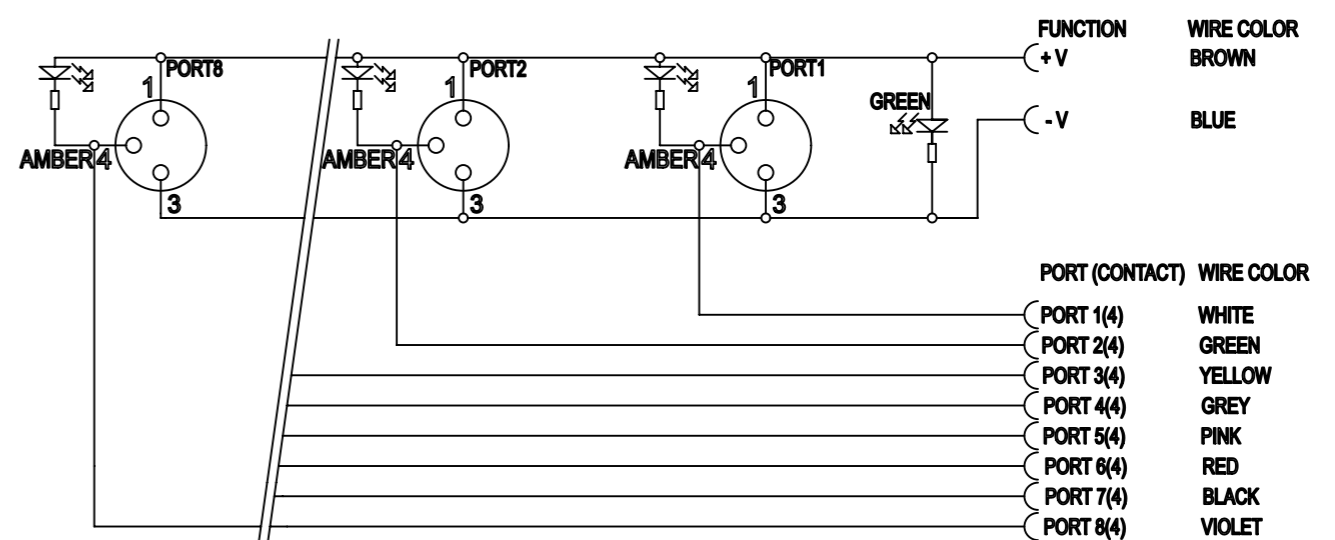
LENGTH	TOLERANCE
0m-1m	+40 mm
>1m-5m	+60 mm
>5m-10m	+80 mm
>10m-20m	+140 mm
>20m-30m	+160 mm
>30m	+1% length

FUNCTIONAL SYMBOLS ∇A = 0 ∇E = 0 ∇F = 0	THIS DRAWING CONTAINS INFORMATION THAT IS PROPRIETARY TO MOLEX ELECTRONIC TECHNOLOGIES, LLC AND SHOULD NOT BE USED WITHOUT WRITTEN PERMISSION	CURRENT REV DESC: ADDED CABLE TOLERANCE TABLE	
	DIMENSION UNITS: mm	SCALE: 1:1	
DIVISIONAL SYMBOLS	GENERAL TOLERANCES (UNLESS SPECIFIED)	EC NO: 699789	
	ANGULAR TOL ± °	4 PLACES ±	DRWN: MDHARMANTI 2022/03/11
	3 PLACES ±	3 PLACES ±	CHK'D: RSILLER 2022/03/17
	2 PLACES ± 0.2	2 PLACES ± 0.2	APPR: RSILLER 2022/03/17
	1 PLACE ± 0.3	1 PLACE ± 0.3	INITIAL REVISION:
	0 PLACES ± 0.5	0 PLACES ± 0.5	DRWN: ULETTENMEIER 2015/01/20
	DRAFT WHERE APPLICABLE MUST REMAIN WITHIN DIMENSIONS	THIRD ANGLE PROJECTION	APPR: RSILLER 2015/04/22
		DRAWING: A3-SIZE	SERIES: 120247
		MATERIAL NUMBER: SEE TABLE 1	CUSTOMER: GENERAL MARKET
		DOCUMENT NUMBER: 1202470010	DOC TYPE: PSD
		DOC PART: 000	REVISION: B1
		SHEET NUMBER: 1 OF 2	

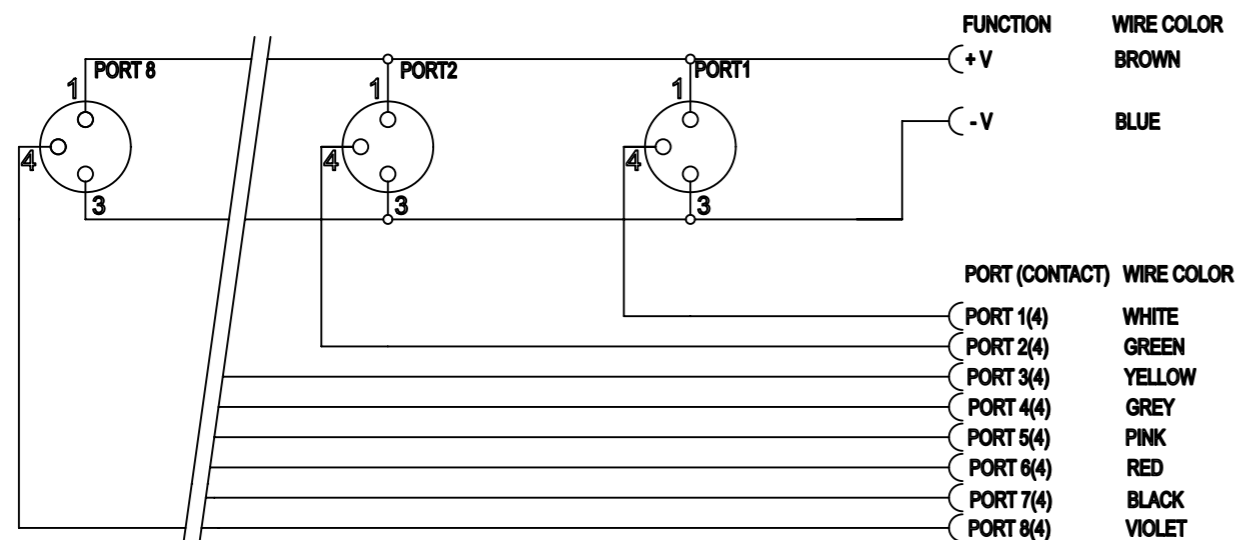
Wiring Diagram PNP Single



Wiring Diagram NPN Single



Wiring Diagram NON LED Single



THIS DRAWING CONTAINS INFORMATION THAT IS PROPRIETARY TO MOLEX ELECTRONIC TECHNOLOGIES, LLC AND SHOULD NOT BE USED WITHOUT WRITTEN PERMISSION																											
FUNCTIONAL SYMBOLS	mm	1:1	CURRENT REV DESC: ADDED CABLE TOLERANCE TABLE																								
GENERAL TOLERANCES (UNLESS SPECIFIED)	<table border="1"> <tr> <td>ANGULAR TOL</td> <td>±</td> <td>°</td> </tr> <tr> <td>4 PLACES</td> <td>±</td> <td></td> </tr> <tr> <td>3 PLACES</td> <td>±</td> <td></td> </tr> <tr> <td>2 PLACES</td> <td>±</td> <td>0.2</td> </tr> <tr> <td>1 PLACE</td> <td>±</td> <td>0.3</td> </tr> <tr> <td>0 PLACES</td> <td>±</td> <td>0.5</td> </tr> </table>									ANGULAR TOL	±	°	4 PLACES	±		3 PLACES	±		2 PLACES	±	0.2	1 PLACE	±	0.3	0 PLACES	±	0.5
ANGULAR TOL	±	°																									
4 PLACES	±																										
3 PLACES	±																										
2 PLACES	±	0.2																									
1 PLACE	±	0.3																									
0 PLACES	±	0.5																									
DIVISIONAL SYMBOLS	DRAFT WHERE APPLICABLE MUST REMAIN WITHIN DIMENSIONS		THIRD ANGLE PROJECTION	DRAWING	SERIES	MATERIAL NUMBER	CUSTOMER	DOCUMENT NUMBER	DOC TYPE	DOC PART	REVISION																
				A3-SIZE	120247	SEE TABLE 1	GENERAL MARKET	1202470010	PSD	000	B1																

molex

MPIS M8 PNP NPN NOS 3P 8PT BK XM SINGLE

PRODUCT CUSTOMER DRAWING