



TE Internal #: 1838275-1
 Standard Circular Connectors, Wire-to-Wire, 1 Position, Sealable,
 Wire & Cable, Signal, Reverse Gender, A Polarization Code, PA,
 Hermetically Sealed

[View on TE.com >](#)

Connectors > Circular Connectors > Standard Circular Connectors



Connector System: **Wire-to-Wire**
 Number of Positions: **1**
 Sealable: **Yes**
 Connector & Contact Terminates To: **Wire & Cable**
 Contact Current Rating (Max): **5 A**

Features

Product Type Features

Assembly Requirement	Factory Assembled
Prewired	No
Assembly Type	Electrical Connector
Circular Connector Shell Type	All Plastic
Connector Product Type	Connector Assembly
Connector System	Wire-to-Wire
Sealable	Yes
Connector & Contact Terminates To	Wire & Cable
Circular Connector Type	Plug
Shell Type	Plastic

Configuration Features

Factory Installed Backshell	Without
Number of Positions	1
Number of Power Positions	0
Number of Signal Positions	1



Contacts Preloaded	Yes
--------------------	-----

Electrical Characteristics

Operating Voltage	500 VAC
-------------------	---------

Body Features

Environmental Protection Type	Sealed
-------------------------------	--------

Environmental Protection	With
--------------------------	------

Circular Connector Insulation Material Type	PA
---	----

Hermetically Sealed	Yes
---------------------	-----

Contact Features

Contact Current Rating (Max)	5 A
------------------------------	-----

Reverse Gender	Yes
----------------	-----

Circular Connector Contact Type	Pin
---------------------------------	-----

Mechanical Attachment

Polarization Code	A
-------------------	---

Mating Alignment Type	1 Key
-----------------------	-------

Mating Retention	With
------------------	------

Housing Features

Circular Connector Shell Size	15
-------------------------------	----

Dimensions

Wire Size	.34 – .5 mm ²
-----------	--------------------------

Usage Conditions

Operating Temperature Range	-40 – 85 °C[-40 – 185 °F]
-----------------------------	---------------------------

Operation/Application

Circuit Application	Signal
---------------------	--------

Shielded	No
----------	----

Packaging Features

Packaging Quantity	50
--------------------	----

Other

Field Serviceable	Yes
-------------------	-----

Product Compliance



[For compliance documentation, visit the product page on TE.com>](#)

EU RoHS Directive 2011/65/EU	Compliant with Exemptions
EU ELV Directive 2000/53/EC	Compliant with Exemptions
China RoHS 2 Directive MIIT Order No 32, 2016	Restricted Materials Above Threshold
EU REACH Regulation (EC) No. 1907/2006	Current ECHA Candidate List: JUNE 2023 (235) Candidate List Declared Against: JAN 2023 (233) SVHC > Threshold: Pb (3.31% in Component Part) Article Safe Usage Statements: Do not eat, drink or smoke when using this product. Wash thoroughly after handling. Recycle if possible and dispose of the article by following all applicable governmental regulations relevant to your geographic location.
Halogen Content	Not Low Halogen - contains Br or Cl > 900 ppm.
Solder Process Capability	Hand solderable with lead free solder

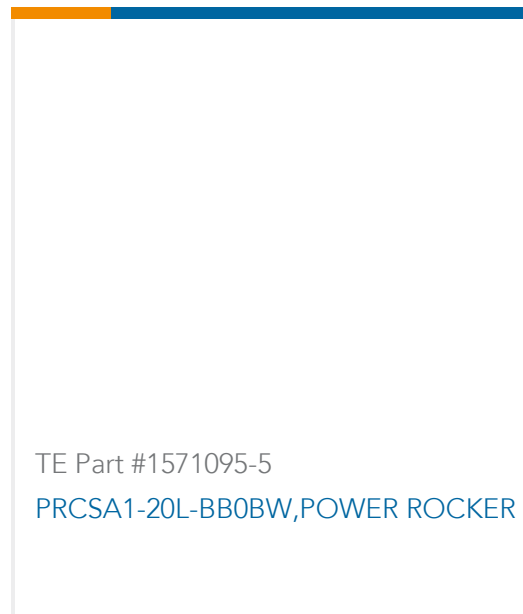
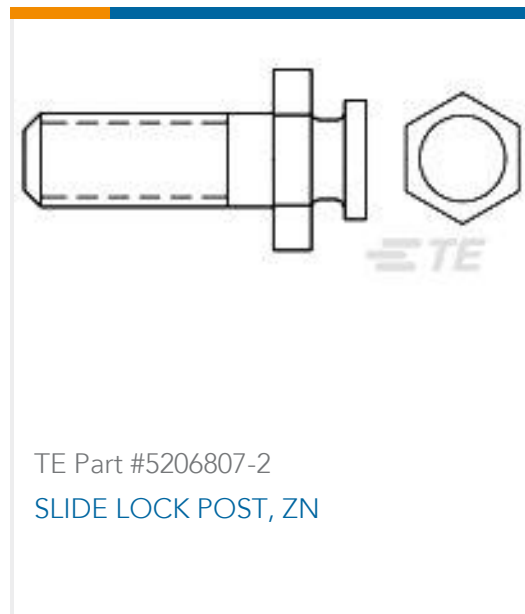
Product Compliance Disclaimer

This information is provided based on reasonable inquiry of our suppliers and represents our current actual knowledge based on the information they provided. This information is subject to change. The part numbers that TE has identified as EU RoHS compliant have a maximum concentration of 0.1% by weight in homogenous materials for lead, hexavalent chromium, mercury, PBB, PBDE, DBP, BBP, DEHP, DIBP, and 0.01% for cadmium, or qualify for an exemption to these limits as defined in the Annexes of Directive 2011/65/EU (RoHS2). Finished electrical and electronic equipment products will be CE marked as required by Directive 2011/65/EU. Components may not be CE marked. Additionally, the part numbers that TE has identified as EU ELV compliant have a maximum concentration of 0.1% by weight in homogenous materials for lead, hexavalent chromium, and mercury, and 0.01% for cadmium, or qualify for an exemption to these limits as defined in the Annexes of Directive 2000/53/EC (ELV). Regarding the REACH Regulation, the information TE provides on SVHC in articles for this part number is based on the latest European Chemicals Agency (ECHA) 'Guidance on requirements for substances in articles' posted at this URL: <https://echa.europa.eu/guidance-documents/guidance-on-reach>

Compatible Parts



Customers Also Bought



Documents

Product Drawings

[M12 Fld Ser CONN. Male Pin Sldr](#)

English

CAD Files

Customer View Model

[ENG_CVM_CVM_1838275-1_B.2d_dxf.zip](#)

English

3D PDF

3D

Customer View Model

[ENG_CVM_CVM_1838275-1_B.3d_igs.zip](#)

English

Customer View Model

[ENG_CVM_CVM_1838275-1_B.3d_stp.zip](#)

English

By downloading the CAD file I accept and agree to the [Terms and Conditions](#) of use.

Datasheets & Catalog Pages



[M8 / M12 Connector System Catalog](#)

English

[M8 / M12 Connector System Catalog](#)

Japanese

[Product Specifications](#)

[Product Specification](#)

English