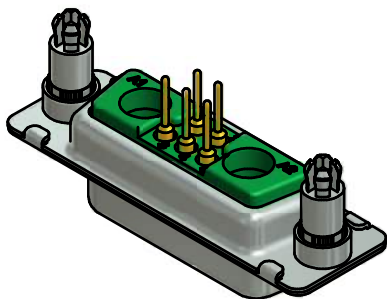
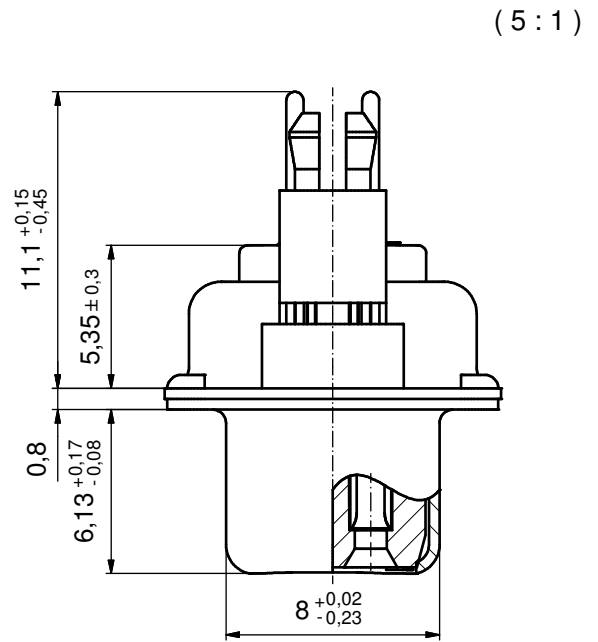
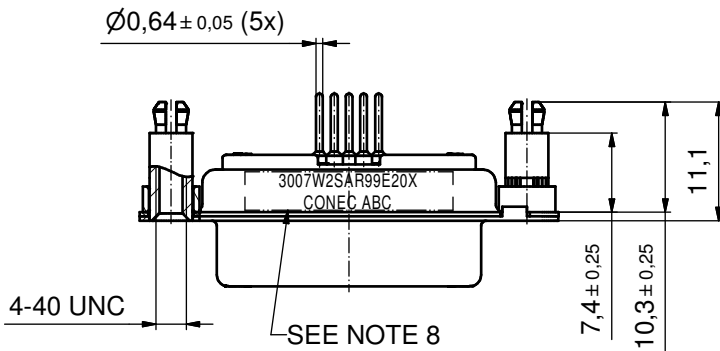
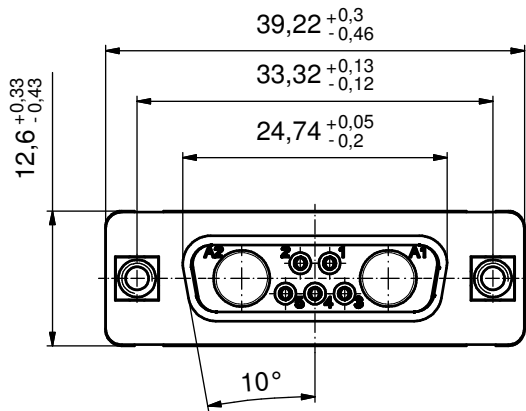


P.C.B. HOLE DRILLINGS
(P.C.B. TOP SIDE)



NOTES:

- METALSHELLS: STEEL; min. 315 μm TIN over 40-80 μm NICKEL
- INSULATORS: PBT GF UL 94 V-0, GREEN
- SIGNAL CONTACTS: COPPER ALLOY
PLATING: GOLD FLASH over NICKEL
- NO CONTACTS ON POS. A1 + A2
- THREADED SPACER CLIPS: COPPER ALLOY; min. 200 μm TIN over 80 μm NICKEL
PCB-HOLE: $\varnothing 3,1 \pm 0,1 \text{ mm}$; PCB-THICKNESS: 1,6mm
- COLLARS: COPPER ALLOY; min. 200 μm TIN over 80 μm NICKEL
- MAXIMUM TORQUE VALUE FOR THREAD: 6 in.LB
- CONNECTOR IS PART MARKED: **3007W2SAR99E20X CONE C ABC**

Directive 2002/95/EC RoHS compliant

THIS DRAWING MAY NOT BE COPIED OR REPRODUCED IN ANY WAY, AND MAY NOT BE PASSED ON TO A THIRD PARTY WITHOUT WRITTEN PERMISSION. OWNERSHIP AND COPYRIGHT OF CONE C GmbH DO NOT ALTER CAD DRAWING BY HAND				tolerance		scale: 2:1 (5:1)
				date	name	material: see notes
				drawn	11.02.14 Henneboel	title: D-SUB COMBINATION FEMALE 7W2S with threaded spacer clip
				appd.	12.02.14 Schmidt	
				norm		
				d-old		
				dwg no:		DIN-A3
			a Original	CONEC	13K1A4578	
rev.	description	date	name	part no: 3007W2SAR99E20X		sh: 1