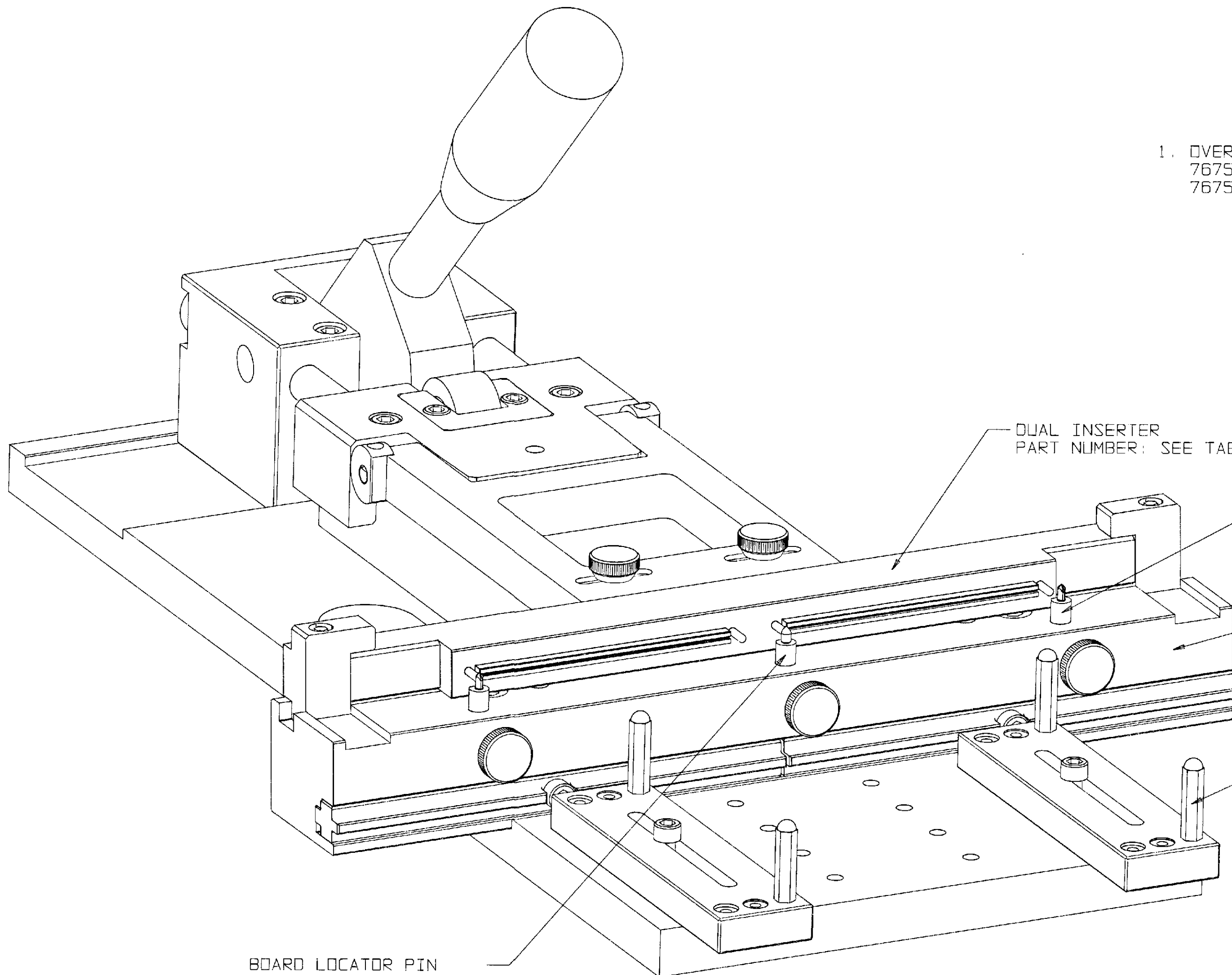


THIS DRAWING IS UNPUBLISHED. RELEASED FOR PUBLICATION
 BY AMP INCORPORATED. ALL RIGHTS RESERVED.

LOC	DIST	REVISIONS			
P	LTR	DESCRIPTION	DATE	DWN	APVD
AD	47				
0		RELEASED	6-13-97	JG	DM



1. OVERALL DIMENSIONS:
 767588-1: L - 16.1, W - 10.2, H - 8.3
 767588-2: L - 16.1, W - 13.2, H - 8.3

DUAL INSERTER
 PART NUMBER: SEE TABLE

BOARD LOCATOR PIN, DIAMOND HEAD
 PART NUMBER: 767526-1
 QUANTITY: 2

SUPPORT BLOCK

SUPPORT PILLAR
 PART NUMBER: 767522-1
 QUANTITY: 4

BOARD LOCATOR PIN
 PART NUMBER: 767523-1
 QUANTITY: 1

7.650 CL, FOR 228 POS	767586-2	767588-2
4.130 CL, FOR 266 POS	767586-1	767588-1
DESCRIPTION	PART NUMBER	PART NUMBER
INSERTER		

DIMENSIONS:		TOLERANCES UNLESS OTHERWISE SPECIFIED:		THIS DRAWING IS A CONTROLLED DOCUMENT.		DWN		6-13-97	
INCHES		0 PLC	±	J. GERACE	6-13-97	AMP AMP Incorporated			
		1 PLC	±	CHK	6-13-97	Harrisburg, PA 17105-3608			
		2 PLC	±	D. MCKNIGHT	6-13-97	NAME			
		3 PLC	±	APVD	6-13-97	A. MONK			
		4 PLC	±	PRODUCT SPEC		DUAL APPLICATION TOOL, RIGHT ANGLE CONNECTOR, MICTOR			
		ANGLES	±	APPLICATION SPEC		SIZE	CAGE CODE	DRAWING NO	
MATERIAL		FINISH		WEIGHT		A2	00779	©-767588	
CUSTOMER DRAWING						SCALE	SHEET	1 OF 1	REV
									0