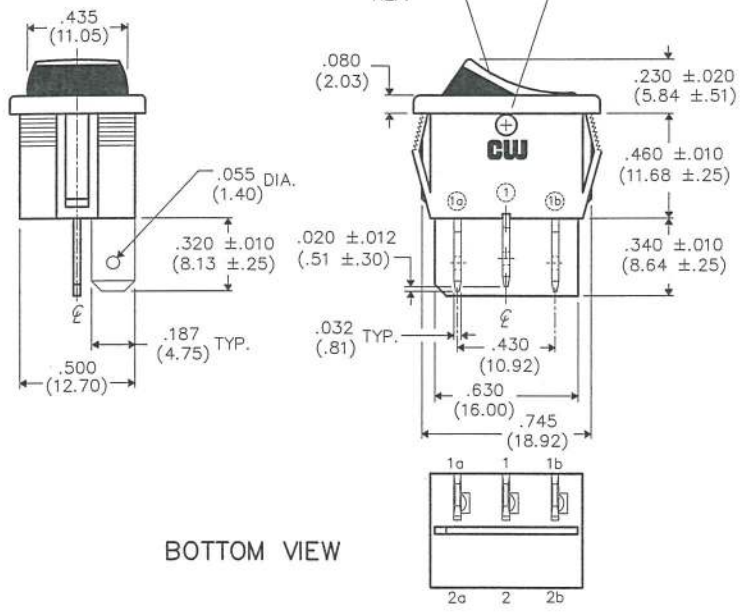
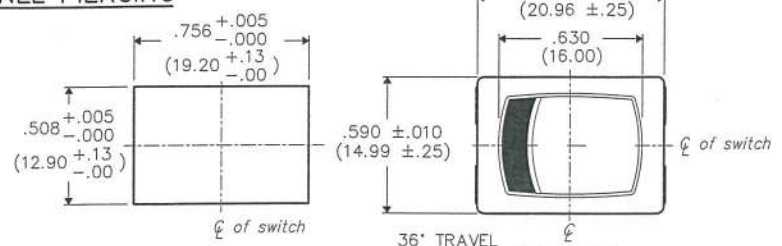


THIS INFORMATION IS CONFIDENTIAL AND PROPRIETARY TO CW INDUSTRIES INCORPORATED AND ITS AFFILIATES. IT MAY NOT BE DISCLOSED TO ANYONE OTHER THAN CW INDUSTRIES PERSONNEL, WITHOUT WRITTEN AUTHORIZATION FROM CW INDUSTRIES INCORPORATED, SOUTHAMPTON, PENNSYLVANIA USA.

F
D
C
B
A

DIMENSIONS IN INCHES (MILLIMETERS)
 DO NOT SCALE DRAWING
 Dwg. No. GRS-4012-0065

PANEL PIERCING



BOTTOM VIEW

UL, CSA & VDE LISTED:

16A 125-250VAC 3/4H.P. 125-250VAC
 3A 125V L 10A 14V(T)
 10(4) 250 ~ 14 T85*

MATERIALS:

BUTTON - NYLON 6/6 94V-2 COLOR, BLACK/RED
 HOUSING - NYLON 6/6 94V-2 COLOR, BLACK
 TERMINAL & MOVING CONTACT - COPPER ALLOY

1 2 3 4 5 6 7 8 9 10

B-FORMAT 2002	REVISIONS 0 RELEASED: DGW 2-25-2013 FEB 26 2013							CW INDUSTRIES Southampton, Pa. 18966		Title: 2 COLOR ROCKER SWIDGET ASSEMBLY SP/DT (POP-IN)	
								TOLERANCES UNLESS OTHERWISE SPECIFIED 2 Place Decimal $\pm .010$ METRIC 3 Place Decimal $\pm .005$ 1 Place Dec. $\pm .25$ mm Angles $\pm 1^\circ$ 2 Place Dec. $\pm .13$ mm		Division: SWTCH	
								Made for: CW IND.		Dwg. No. GRS-4012-0065	
								Drawn by: DGW 2-25-2013			
								Checked by: <i>G. Gold 2-26-13</i>			
						Approval: <i>C. H. 2/21/13</i>					

MASTER