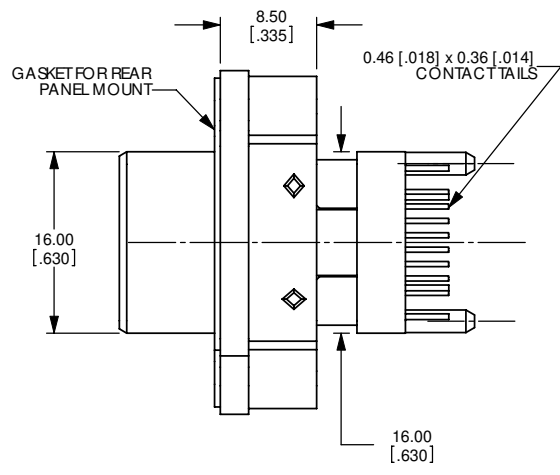
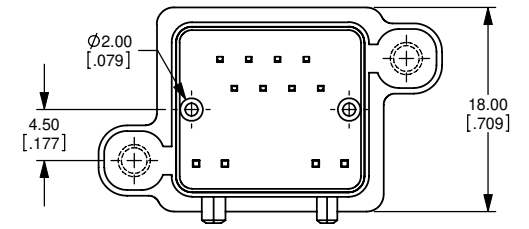
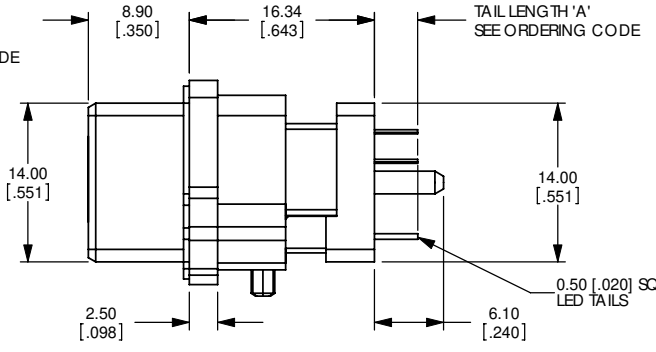
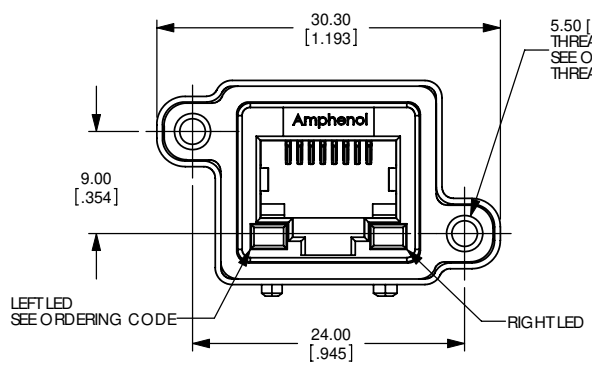
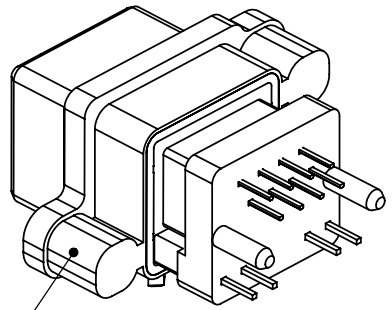
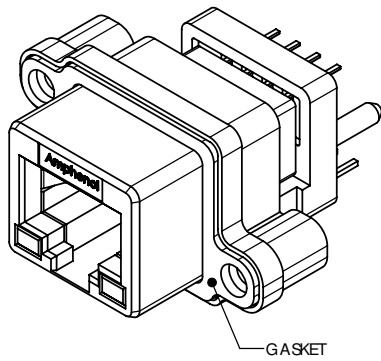


REVISIONS			
REV	ECN, ERN NO.	DATE	APPRD.
A	PRODUCTDRAWING (EAR 13229)	FEB22/08	K.L



ORDERING CODE: **M R J - 5 4 8 X - X F**

- SERIES, RUGGED RJ
- RECEPTACLE
- VERTICAL MOUNT
- NUMBER OF CONTACTS
- LED OPTION
  - 0 - NONE
  - 1 - GREEN LEFT, YELLOW RIGHT
  - 4 - YELLOW LEFT, GREEN RIGHT
  - 5 - GREEN LEFT, GREEN RIGHT
- TAIL LENGTH AND MOUNTING HOLE THREAD OPTIONS
  - 0 - TAIL LENGTH A=2.54 [.100], #4-40 UNC THREAD
  - B - TAIL LENGTH A=3.81 [.150], #4-40 UNC THREAD
  - M - TAIL LENGTH A=2.54 [.100], M3 x 0.5 THREAD
  - P - TAIL LENGTH A=3.81 [.150], M3 x 0.5 THREAD
- SINGLE PORT WITH GASKET FOR REAR PANEL MOUNT AND BLIND MTG HOLES



**NOTES**

- MATERIAL: ALL MATERIALS ARE RoHS COMPLIANT PER EU DIRECTIVE 2002/95/EC AND AMENDMENTS
  - SHELL - DIECAST ZINC, NICKEL PLATED
  - CONTACTS - PHOSPHOR BRONZE WITH 50 MICROINCHES (1.27 MICRONS) GOLD OVER 50 MICROINCHES (1.27 MICRONS) MINIMUM NICKEL ON THE MATING AREA AND MATTE TIN OVER NICKEL ON THE CONTACT TAILS
  - INSERTS - ENGINEERING THERMOPLASTIC, UL FLAMMABILITY RATING 94V-0, REAR INSERTS: BLACK, FRONT INSERT: CLEAR
  - LED'S - EPOXY LENS, STEEL TAILS WITH TIN PLATING
  - GASKET - SILICONE RUBBER
- ENVIRONMENTAL PERFORMANCE PER IEC 60529 CODE IP67 FOR SEAL BETWEEN MATING AREA AND PCB SIDE OF CONNECTOR. GASKET PROVIDES SEAL TO INSIDE FACE OF PANEL.
- CURRENT RATING: 1.5 AMPERES
- CONTACT RESISTANCE: 30 MILLIOHMS MAXIMUM.
- OPERATING TEMPERATURE: -40 °C TO +105 °C.
- AVAILABLE MATING AREA COVERS PROVIDE ADDED PROTECTION. CONSULT WITH AMPHENOL CANADA FOR DETAILS.

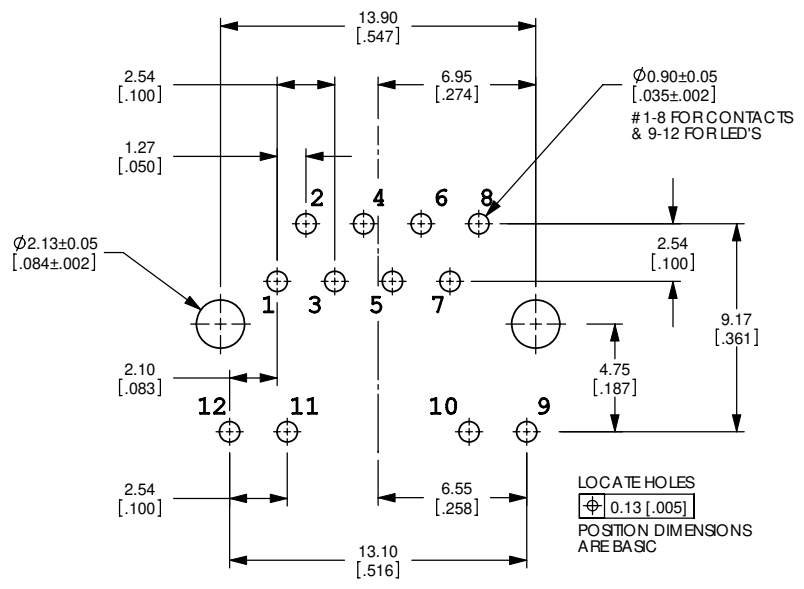


METAL DIECAST SHELL

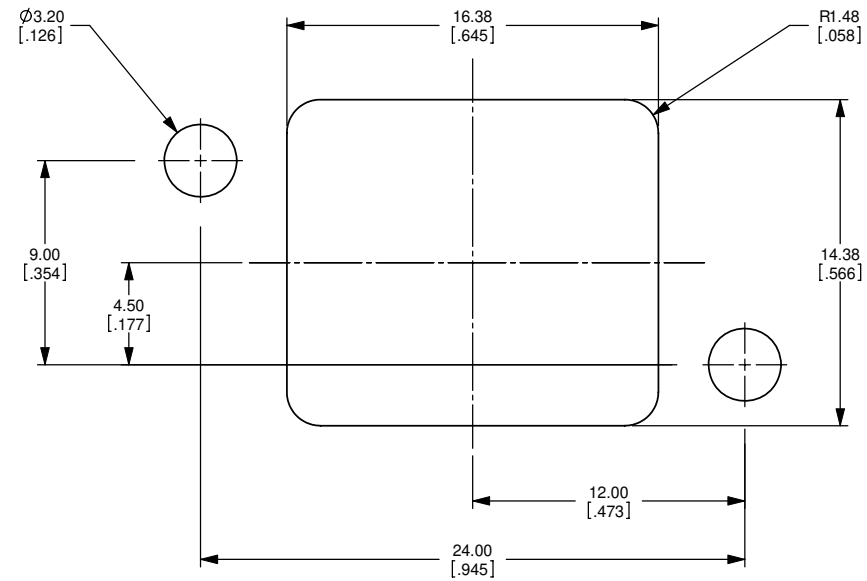
PROPRIETARY AND CONFIDENTIAL  
THIS DOCUMENT CONTAINS PROPRIETARY INFORMATION AND SUCH INFORMATION MAY NOT BE DISCLOSED TO OTHERS FOR ANY PURPOSE OR USED FOR MANUFACTURING PURPOSES WITHOUT WRITTEN PERMISSION FROM AMPHENOL CANADA CORP.

UNLESS OTHERWISE SPECIFIED:		DATE	Amphenol Canada Corp.
DIMENSIONS ARE IN MILLIMETERS		FEB22/08	
TOLERANCES		DRAWN G.LJ	MRJ SERIES RUGGED MODULAR JACK, 8 POSITION VERTICAL, LED, THREAD & TAIL OPTIONS REAR PANEL MOUNT, BLIND MOUNTING, RoHS COMPLIANT
FRAC TIONAL ±		DESIGNED	
ANGULAR MATCH ±		CHECKED K.LAMBE	SIZE DWG. NO. <b>C P-MRJ-548X-XF</b> REV <b>A</b>
BEND ±		I.E. APPRD.	
THREE PLACE DECIMAL ±		DATE	SCALE 3:1 WEIGHT: SHEET 1 OF 2
THREE PLACE DECIMAL ±		FEB22/08	
INTERPRET GEOMETRIC TOLERANCING PER:		Q. A. APPRD.	CODED NO.
MATERIAL		DWG. APPRD.	
NEXT ASSY		ENG. REL. NO. EAR 13229	APPLICATION
USED ON		REF.	
FINISH		DIMENSIONS IN MILLIMETERS	2
DO NOT SCALE DRAWING		DATE	1

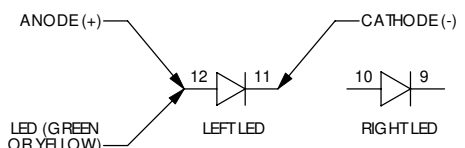
REVISIONS			
REV	ECN, ERN NO.	DATE	APPRD.
A	PRODUCTDRAWING (EAR 13229)	FEB22/08	K.L.



**RECOMMENDED P.C.B. LAYOUT**  
 (COMPONENT SIDE OF BOARD)



**RECOMMENDED PANEL CUTOUT**  
 (FRONT OF PANEL)



**LED POLARITY**



PROPRIETARY AND CONFIDENTIAL  
 THIS DOCUMENT CONTAINS  
 PROPRIETARY INFORMATION AND SUCH  
 INFORMATION MAY NOT BE DISCLOSED  
 TO OTHERS FOR ANY PURPOSE OR USED  
 FOR MANUFACTURING PURPOSES  
 WITHOUT WRITTEN PERMISSION FROM  
 AMPHENOL CANADA CORP.

UNLESS OTHERWISE SPECIFIED:	DATE	Amphenol Canada Corp.
DIMENSIONS ARE IN MILLIMETERS	FEB21/08	
TOLERANCES	DRAWN G. LI	MRJ SERIES RUGGED MODULAR JACK, 8 POSITION VERTICAL, LED, THREAD & TAIL OPTIONS REAR PANEL MOUNT, BLIND MOUNTING, RoHS COMPLIANT
FRACTIONAL ±	DESIGNED	
ANGULAR MATCH BEND ±	CHECKED K.LAMBE FEB22/08	SIZE DWG. NO.
TWO PLACE DECIMAL ±	I.E. APPRD.	<b>C P-MRJ-548X-XF</b>
THREE PLACE DECIMAL ±	G. A. APPRD.	REV
INTERPRET GEOMETRIC TOLERANCING PER MATERIAL	DWG. APPRD.	<b>A</b>
FINISH	ENG. REL. NO. EAR 13229	SCALE 3:1
APPLICATION	DIMENSIONS ARE IN MILLIMETERS	CODED. NO.
DO NOT SCALE DRAWING	SCALE 3:1	SHEET 2 OF 2