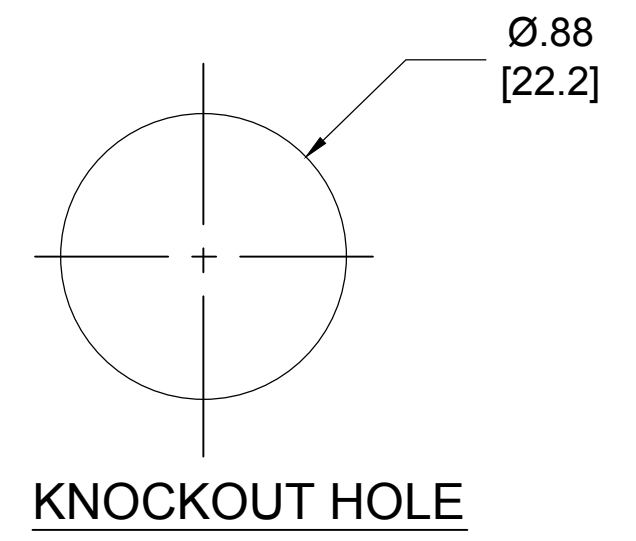


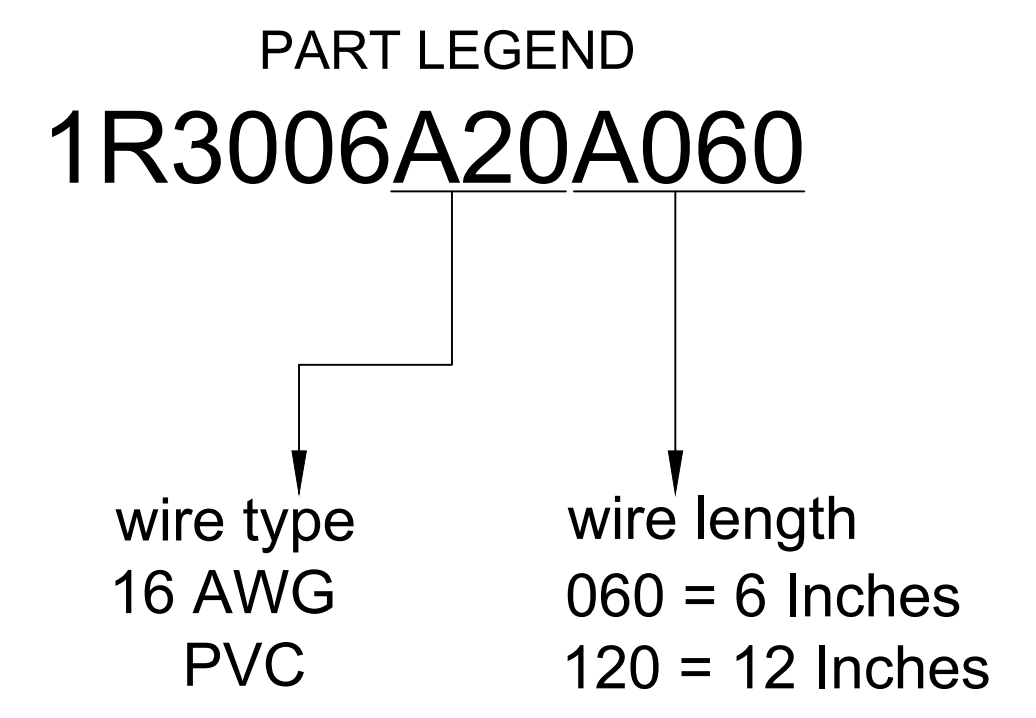
MALE FACE VIEW

1	GREEN-YELLOW
2	BLACK
3	WHITE

WIRING DIAGRAM



KNOCKOUT HOLE



- NOTES:**
1. MATERIAL: AS NOTED
  2. FINISH: AS NOTED
  3. ELECTRICAL:  
VOLTAGE; 600V AC/DC  
CURRENT: 13
  4. TEMP RATING: -20° TO +105°C
  5. PROTECTION: IP67 (WHEN MATED)
  6. ALL DIMS ARE FOR REFERENCE  
UNLESS NOTED OTHERWISE

**TABLE**

ITEM	COMPONENT	MATERIAL	FINISH
6	LABEL	VINYL	BLACK/YELLOW
5	POTTING	EPOXY	
4	WIRE, 16 AWG, UL 1015	PVC INSUL.	SEE FACE VIEW
3	CONTACT PIN	Cu ALLOY	GOLD PLATED
2	INSERT	PVC	YELLOW
1	RECEPTACLE SHELL	ZINC DIE-CAST	BLACK E-COAT

.38 WAS .3, UPDATED DOC EC NO: IPG2017-0513 DRWN: RSTONE 11/18/16 CHKD: M ZIELIN 2016/12/07 APPR: BWOODMAN	QUALITY SYMBOL ▽=0 C=0	GENERAL TOLERANCES (UNLESS SPECIFIED)	DIMENSION STYLE IN/MM	SCALE NTS	DESIGN UNITS INCH	THIRD ANGLE PROJECTION
		mm    INCH	DRAWN BY    DATE GGUSTAFS    2013/12/03	TITLE <b>MINI-CHANGE RECEPTACLE                  3 POLE MALE                  1/2 NPT 16/1 AWG PVC</b>		
		4 PLACES    ±---    ±--- 3 PLACES    ±---    ±--- 2 PLACES    ±0.13    ±.01 1 PLACE    ±0.3    ±---	CHECKED BY    DATE LH    2009/04/01	MOLEX INCORPORATED		
		ANGULAR ±---°	APPROVED BY    DATE ----    ----	MATERIAL NO. ---	DOCUMENT NO. <b>SD-130013-003</b>	SHEET NO. <b>1 OF 1</b>
<b>C</b>		DRAFT WHERE APPLICABLE MUST REMAIN WITHIN DIMENSIONS	SIZE <b>C</b>	THIS DRAWING CONTAINS INFORMATION THAT IS PROPRIETARY TO MOLEX INCORPORATED AND SHOULD NOT BE USED WITHOUT WRITTEN PERMISSION		