



50 Ohm N Male to 75 Ohm N Female Matching Pad  
Operating from DC to 2 GHz RoHS Compliant

Matching Pads Technical Data Sheet

PE7027

**Features**

- DC to 2 GHz Frequency Range
- Low VSWR < 1.2:1
- 1W Max CW Power

**Applications**

- CATV / Cable Networks
- Test and Measurement
- Communication Systems
- Wireless Systems

**Description**

Pasternack's PE7027 is a 50 ohm type N male to 75 ohm type N female matching pad that operates from DC to 2 GHz. This type N to type N impedance matching pad offers a low VSWR of 1.2:1 max and an attenuation accuracy of ±0.5 dB. PE7027 50 ohm to 75 ohm minimum loss pad has a maximum CW power rating of 1 Watt.

Matching pads are used to match the different impedance between two devices, maximizing power transfer between the two impedances. Pasternack's minimum loss impedance matching pads are available in various connector combinations to fit your needs, all of which ship the same day.

**Configuration**

- Connector 1 50 Ohms N Male
- Connector 2 75 Ohms N Female

**Electrical Specifications**

Description	Minimum	Typical	Maximum	Units
Frequency Range	DC		2	GHz
VSWR			1.2:1	
Attenuation		5.7 ±0.5		dB
Input Power (CW)			1	Watt

Electrical Specification Notes:

Impedance Matching Pads are resistive devices and are not designed as DC Pass or DC Block circuits  
Values at +25°C, sea level

**Mechanical Specifications**

- Size**
- Length 2.24 in [56.9 mm]
- Width 0.83 in [21.08 mm]
- Weight 0.16 lbs [72.57 g]

Click the following link (or enter part number in "SEARCH" on website) to obtain additional part information including price, inventory and certifications: [50 Ohm N Male to 75 Ohm N Female Matching Pad Operating from DC to 2 GHz RoHS Compliant PE7027](#)



50 Ohm N Male to 75 Ohm N Female Matching Pad  
Operating from DC to 2 GHz RoHS Compliant

## Matching Pads Technical Data Sheet

PE7027

### Connectors

Description	Connector 1	Connector 2
Type	N Male	N Female
Impedance	50 Ohms	75 Ohms
Inner Conductor Material and Plating	Brass, Gold	Beryllium Copper, Gold
Dielectric Type	PTFE	PTFE
Body Material and Plating	Brass, Nickel	Brass, Nickel

### Environmental Specifications

#### Temperature

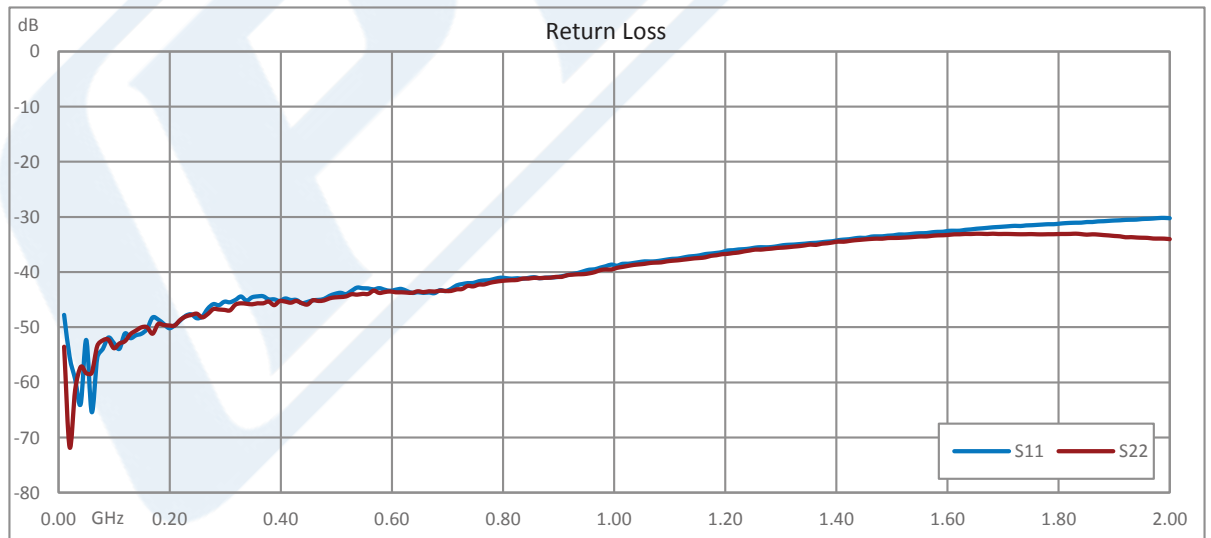
Operating Range -30 to +70 deg C

**Compliance Certifications** (see [product page](#) for current document)

### Plotted and Other Data

Notes:

### Typical Performance Data



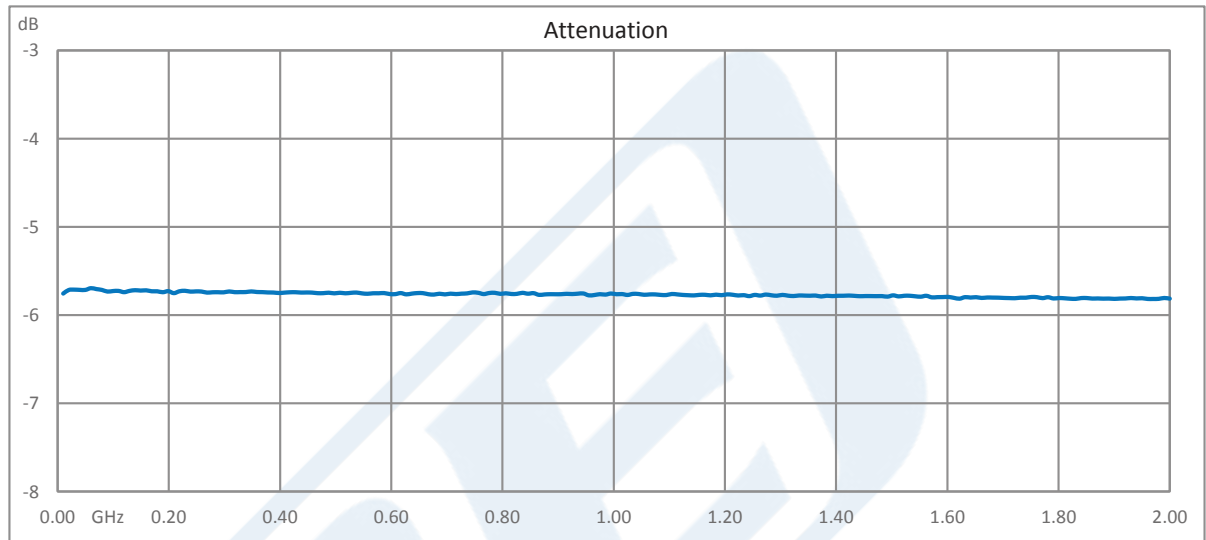
Click the following link (or enter part number in "SEARCH" on website) to obtain additional part information including price, inventory and certifications: [50 Ohm N Male to 75 Ohm N Female Matching Pad Operating from DC to 2 GHz RoHS Compliant PE7027](#)



50 Ohm N Male to 75 Ohm N Female Matching Pad  
Operating from DC to 2 GHz RoHS Compliant

## Matching Pads Technical Data Sheet

PE7027



50 Ohm N Male to 75 Ohm N Female Matching Pad Operating from DC to 2 GHz RoHS Compliant from Pasternack Enterprises has same day shipment for domestic and International orders. Our RF, microwave and millimeter wave products maintain a 99.4% availability and are part of the broadest selection in the industry.

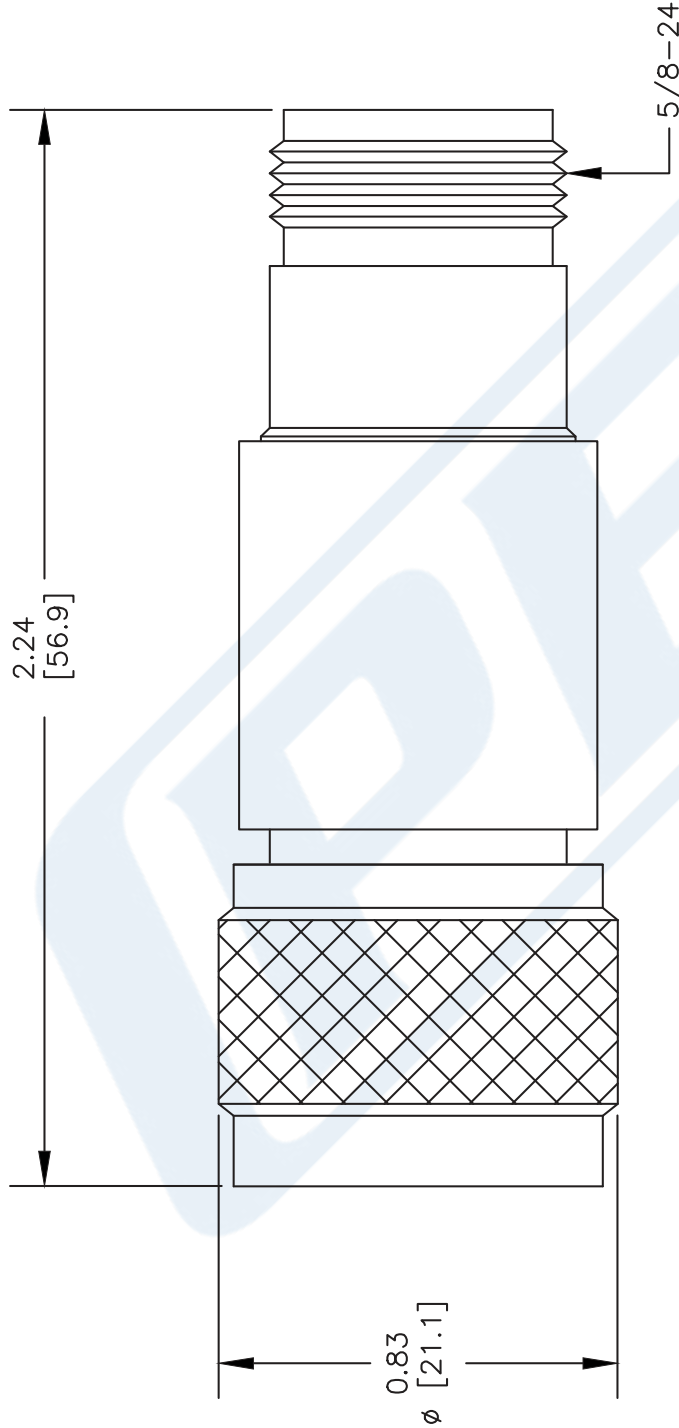
Click the following link (or enter part number in "SEARCH" on website) to obtain additional part information including price, inventory and certifications: [50 Ohm N Male to 75 Ohm N Female Matching Pad Operating from DC to 2 GHz RoHS Compliant PE7027](https://www.pasternack.com/50-ohm-n-male-75-ohm-n-female-matching-pad-pe7027-p.aspx)

URL: <https://www.pasternack.com/50-ohm-n-male-75-ohm-n-female-matching-pad-pe7027-p.aspx>

The information contained in this document is accurate to the best of our knowledge and representative of the part described herein. It may be necessary to make modifications to the part and/or the documentation of the part, in order to implement improvements. Pasternack reserves the right to make such changes as required. Unless otherwise stated, all specifications are nominal. Pasternack does not make any representation or warranty regarding the suitability of the part described herein for any particular purpose, and Pasternack does not assume any liability arising out of the use of any part or documentation.

# PE7027 CAD Drawing

50 Ohm N Male to 75 Ohm N Female Matching Pad  
Operating from DC to 2 GHz RoHS Compliant



NOTES:  
1. UNLESS OTHERWISE SPECIFIED ALL DIMENSIONS ARE NOMINAL.  
2. ALL SPECIFICATIONS ARE SUBJECT TO CHANGE WITHOUT NOTICE AT ANY TIME.  
3. DIMENSIONS ARE IN INCHES [mm].

DWG TITLE  
**PE7027**

REV. B FSCM NO. 53919

CAD FILE 041211 SCALE N/A SIZE A 127

**PE PASTERNAK®**  
Pasternack Enterprises, Inc.  
P.O. Box 16759 | Irvine | CA | 92623  
Phone: (949) 261-1920 | Fax: (949) 261-7451  
Website: www.pasternack.com | E-Mail: sales@pasternack.com