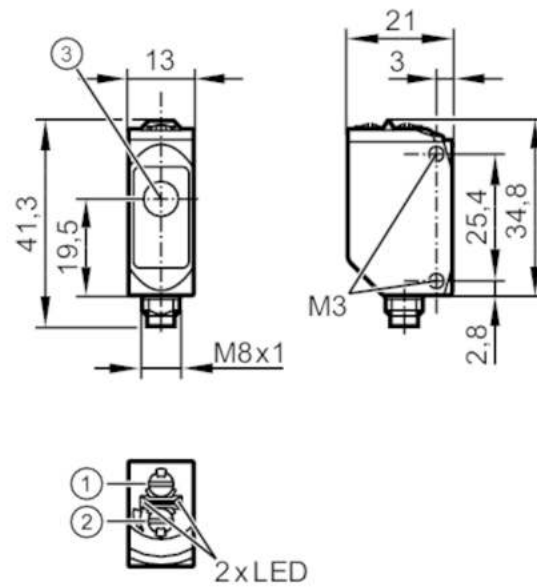


# O6E309



## Through-beam sensor receiver

O6E-FPKG/AS/4P



- 1: output function switch
- 2: potentiometer sensitivity
- 3: Light incidence



### Product characteristics

Type of light	red light
Housing	rectangular

### Application

Function principle	Through-beam sensor
--------------------	---------------------

### Electrical data

Operating voltage	[V]	10...30 DC
Current consumption	[mA]	7; ((24 V))
Protection class		III
Reverse polarity protection		yes
Type of light		red light
Wave length	[nm]	633

### Outputs

Electrical design		PNP
Output function		light-on/dark-on mode; (selectable)
Max. voltage drop switching output DC	[V]	2.5
Permanent current rating of switching output DC	[mA]	100
Switching frequency DC	[Hz]	1000
Short-circuit protection		yes
Type of short-circuit protection		pulsed

### Detection zone

Transmitter / receiver	receiver
------------------------	----------

# O6E309



## Through-beam sensor receiver

O6E-FPKG/AS/4P

Range	[m]	< 10
Range adjustable		yes

### Interfaces

Communication interface	IO-Link	
Transmission type	COM2 (38,4 kBaud)	
IO-Link revision	1.1	
SDCI standard	IEC 61131-9	
Profiles	Smart Sensor: Device Identification; Binary Data Channel	
SIO mode	yes	
Required master port type	A	
Min. process cycle time	[ms]	2.5
IO-Link process data (cyclical)	function	bit length
	process value	8
	binary switching information	1
IO-Link functions (acyclical)	application specific tag; operating hours counter; switching cycles counter	
Supported DeviceIDs	Type of operation	DeviceID
	Default	421

### Operating conditions

Ambient temperature	[°C]	-25...80
Protection		IP 65; IP 67; IP 68; IP 69K

### Tests / approvals

EMC	EN 60947-5-2	
MTTF	[years]	716
UL approval	UL Approval no.	E010

### Mechanical data

Weight	[g]	34.1
Housing		rectangular
Dimensions	[mm]	34.8 x 13 x 21
Materials		housing: stainless steel (1.4404 / 316L); plastics: PPSU; Sealing: EPDM
Lens material		PMMA
Lens alignment		side lens
Tightening torque	[Nm]	1; (screws)

### Displays / operating elements

Display	switching status	1 x LED, yellow
	operation	1 x LED, green

### Remarks

Remarks	operating voltage "supply class 2" according to cULus	
Pack quantity	1 pcs.	

## Through-beam sensor receiver

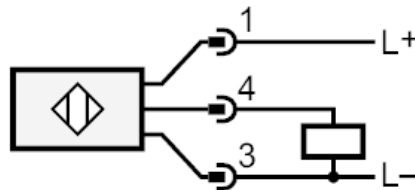
O6E-FPKG/ASJ4P

### Electrical connection

Connector: 1 x M8; coding: A



### Connection

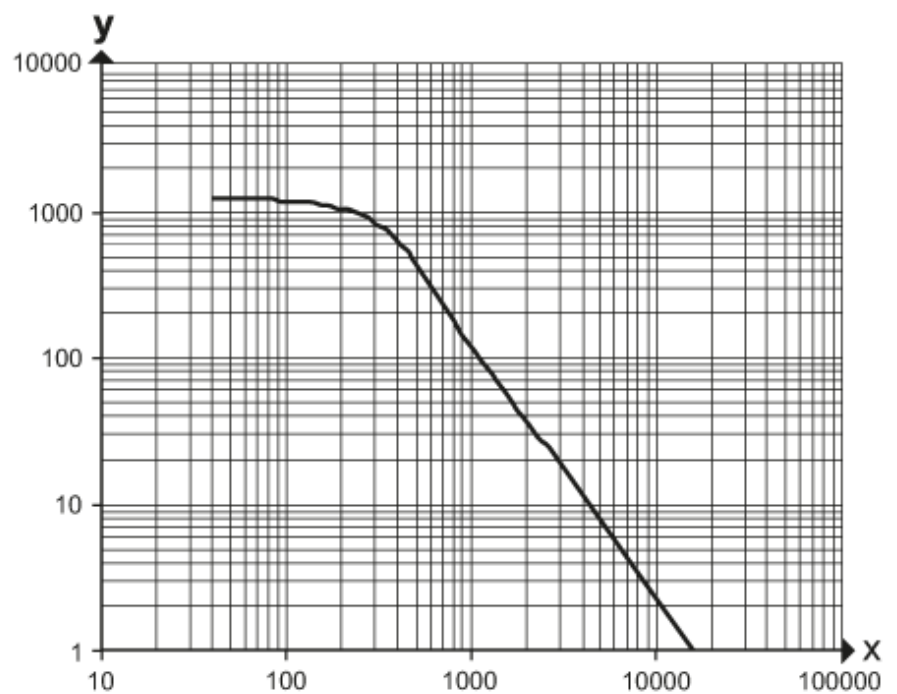


4

OUT / IO-Link

### Diagrams and graphs

excess gain graph



x: distance [mm]

y: excess gain factor