

PART NO.	ENG. NO.
02-06-2101	1560-(P901)
02-06-2103	1560-(P901)L
02-06-6101	1560-(561)
02-06-6102	1560-(561)L
02-06-6118	1560-(228)
02-06-6119	1560-(228)L
02-06-6116	1560-(231)
02-06-6112	1560-(231)L
02-06-6100	1560-(550)
02-06-6103	1560-(550)L
02-06-6105	1560-(591)
02-06-6104	1560-(591)L

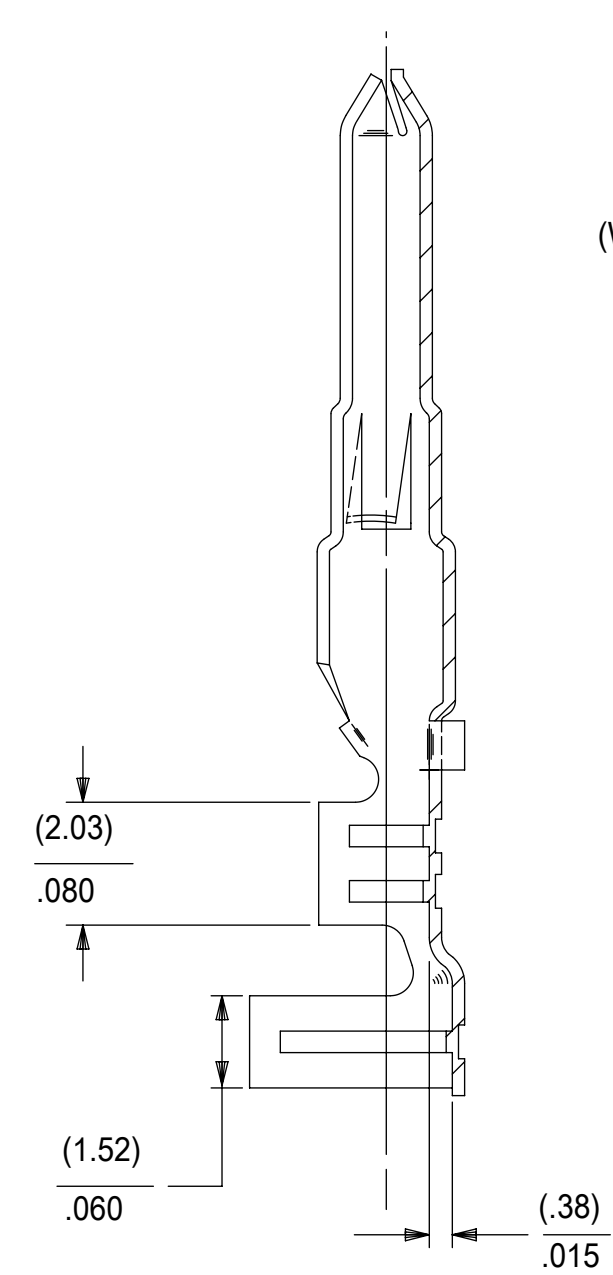
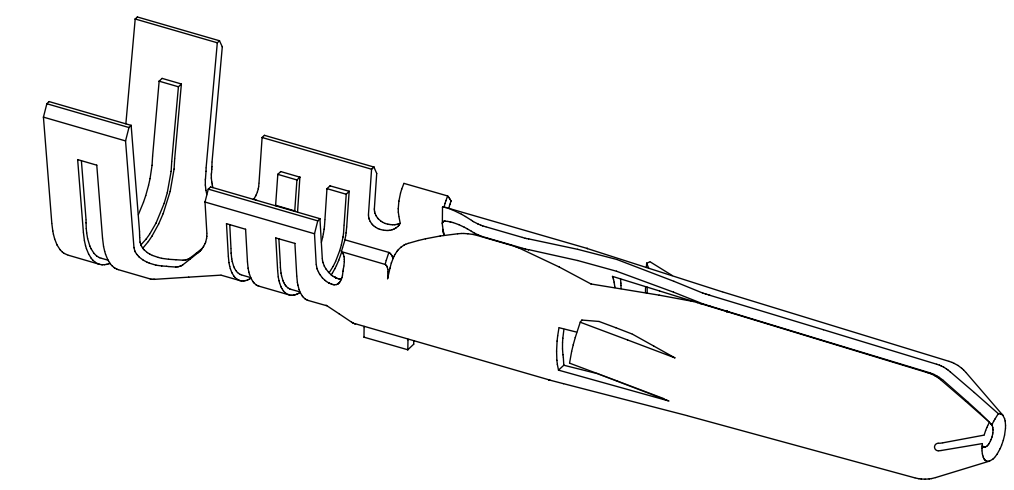
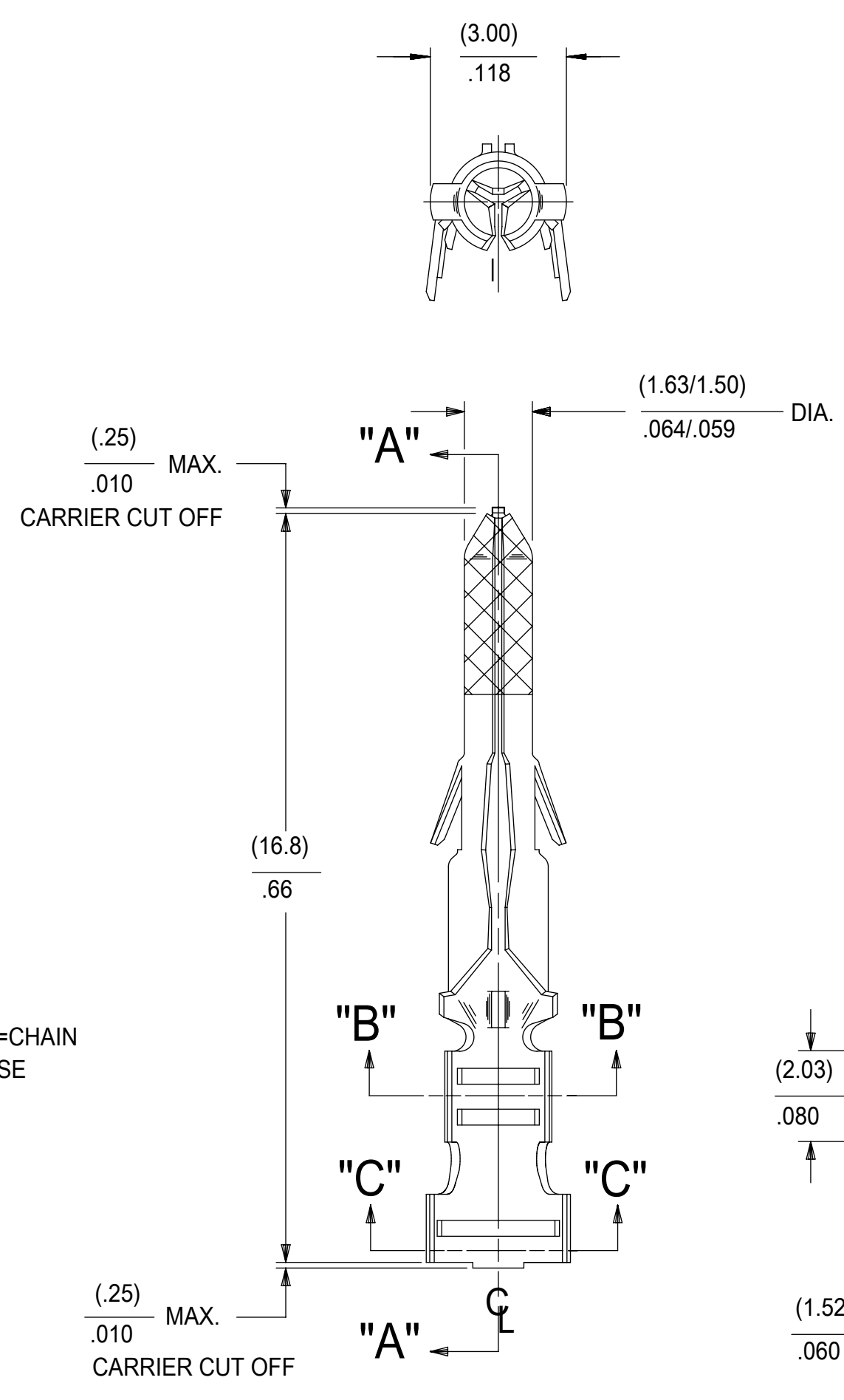
LEGEND

1560-(****)*

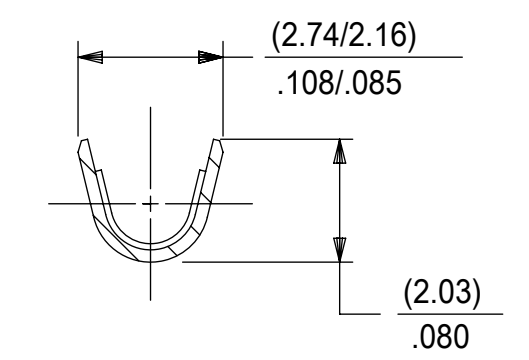
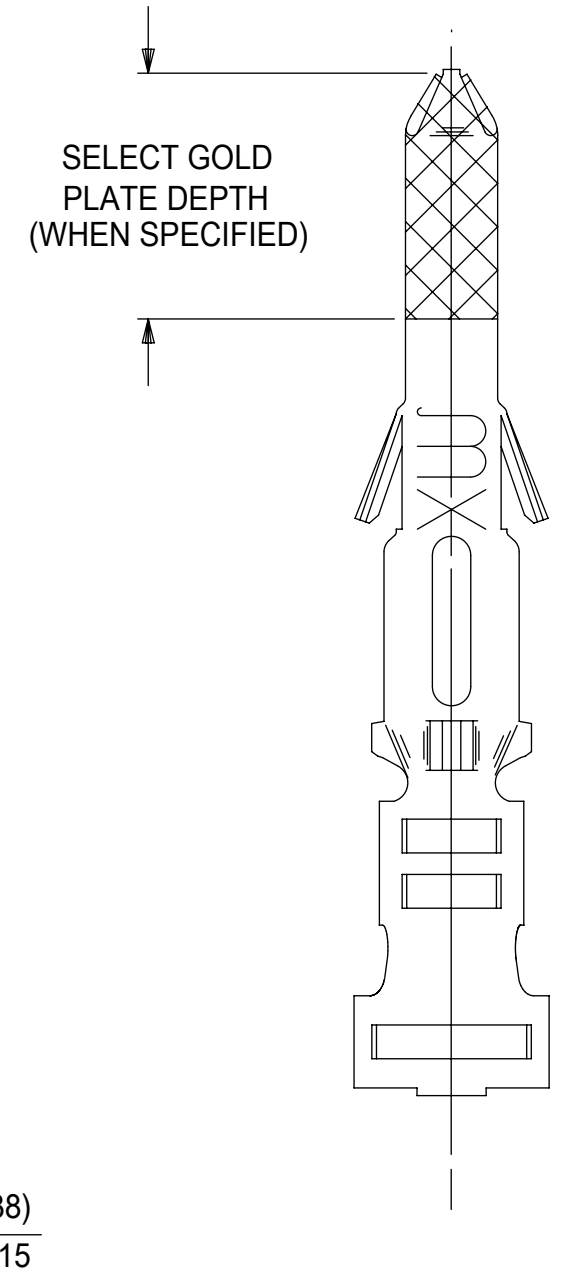
P=PREPLATE
 BLANK=POSTPLATE
 FINISH CODE

FORM
 BLANK=CHAIN
 L=LOOSE

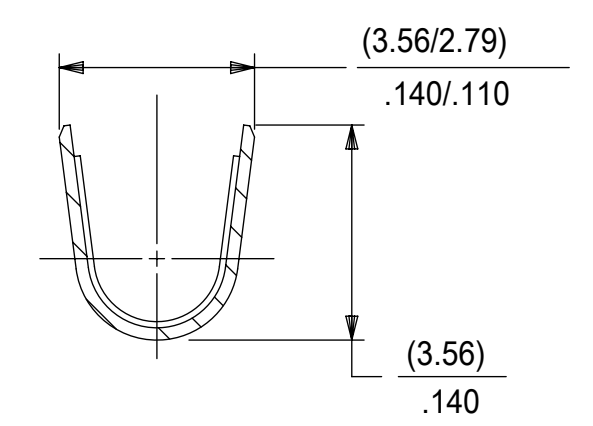
- NOTES:
- MATERIAL: BRASS
 - FINISHES:
 - 901 HOT TIN DIP (.00051)/.000020 MIN.
 - 228 SELECT GOLD PLATE (.00075)/.000030 MIN. IN CONTACT AREA, SELECT TIN (.00250)/.000100 MIN. IN CRIMP AREA OVER (.00125)/.000050 MIN. NICKEL OVERALL.
 - 231 SELECT GOLD PLATE (.00125)/.000050 MIN. IN CONTACT AREA, SELECT TIN (.00250)/.000100 MIN. IN CRIMP AREA OVER (.00125)/.000050 MIN. NICKEL OVERALL.
 - 561 SELECT GOLD PLATE (.00076)/.000030 MIN. IN CONTACT AREA, OVER (.00127)/.000050 MIN. NICKEL OVERALL.
 - 591 SELECT GOLD PLATE (.00127)/.000050 MIN. IN CONTACT AREA, OVER (.00127)/.000050 MIN. NICKEL OVERALL WITH (.000025)/.000010 MAX. GOLD FLASH OVERALL.
 - 550 SELECT GOLD PLATE (.00038)/.000015 MIN. IN CONTACT AREA, OVER (.00076)/.000030 MIN. NICKEL OVERALL WITH (.000025)/.000010 MAX. GOLD FLASH OVERALL.
 - PRODUCT SPECIFICATION: PS-02-06
 - PACKAGING INFORMATION:
 - LOOSE TERMINALS: PK-1190-003
 - CHAIN TERMINALS: 15600000-PK
 - TERMINAL FOR USE WITH (1.57)/.062 DIA. SERIES HOUSINGS AND WILL ACCEPT 18 THRU 24 AWG WIRE.



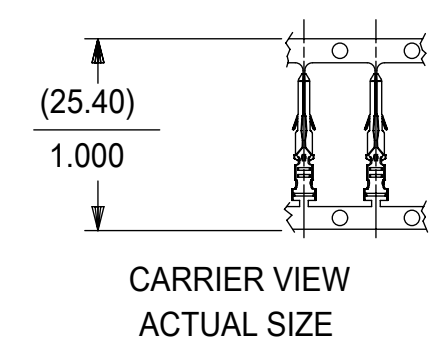
SECT. "A-A"



SECT. "B-B"
SCALE:10X



SECT. "C-C"
SCALE:10X



THIS DRAWING CONTAINS INFORMATION THAT IS PROPRIETARY TO MOLEX ELECTRONIC TECHNOLOGIES, LLC AND SHOULD NOT BE USED WITHOUT WRITTEN PERMISSION									
SYMBOLS		DIMENSION UNITS		SCALE		CURRENT REV DESC: UPDATE PK SPEC			
= 0		IN/MM		8:1		molex CRIMP TERMINAL, MALE .062 DIA. FOR 18-24 AWG WIRE PRODUCT CUSTOMER DRAWING			
= 0		GENERAL TOLERANCES (UNLESS SPECIFIED)							
= 0		4 PLACES ±		MM		INCH		EC NO: 614240	
= 0		3 PLACES ±		± 0.01				DRWN: JEHRISMAN 2019/03/22	
= 0		2 PLACES ±		± 0.25		± 0.014		CHK'D: FSMITH 2019/05/10	
= 0		1 PLACE ±		± 0.35		±		APPR: FSMITH 2019/05/10	
= 0		0 PLACES ±		±				INITIAL REVISION:	
= 0		ANGULAR TOL ±		± 0.5 °				DRWN: GEP 1987/08/19	
= 0		DRAFT WHERE APPLICABLE MUST REMAIN WITHIN DIMENSIONS						APPR: RAS 1987/08/19	
= 0		THIRD ANGLE PROJECTION		DRAWING		SERIES		DOCUMENT NUMBER	
		C-SIZE		1560		SD-1560-X		DOC TYPE DOC PART REVISION	
		SEE TABLE		GENERAL MARKET		1 OF 1		PSD 001 AP1	