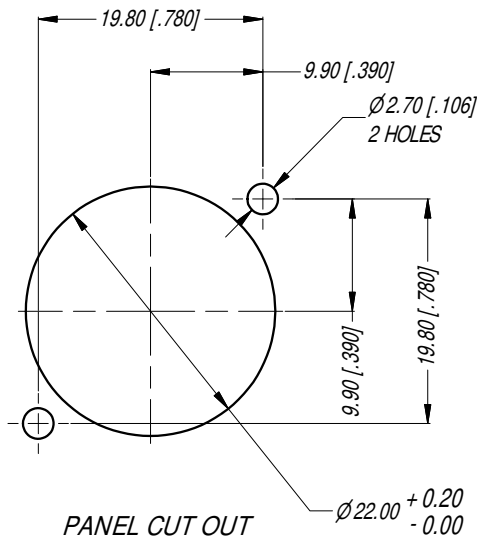


PCB LAYOUT

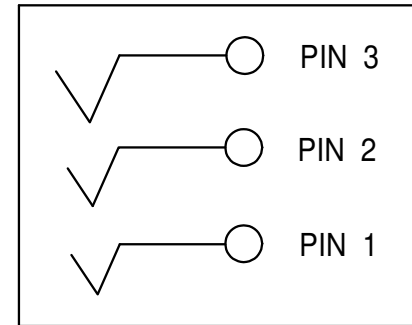
TOLERANCE: ± 0.05 [± 0.002]

NOTE: DIMENSIONS IN PARENTHESES ARE IN INCHES.

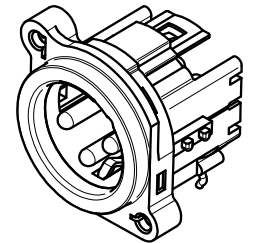
NOTE: SUFFIX "B" IN THE PART No. INDICATES BULK PACK



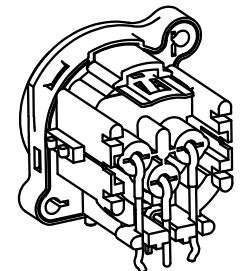
**PANEL CUT OUT
REAR VIEW**



SCHEMATIC CHART



3D VIEW (1:1)



UNLESS OTHERWISE SPECIFIED TOLERANCE TO BE:		THIS DOCUMENT IS THE PROPERTY OF AMPHENOL AUSTRALIA PTY. LTD. NO PART THEREOF MAY BE REPRODUCED AND USED WITHOUT THE PRIOR WRITTEN CONSENT OF THE OWNER			
LINEAR	ANGULAR	CAD FILE	DRN:	DATE:	
X ±0.5	X° ±1	55010414000211	T.N	04/09/07	
X.X ±0.1	X.X° ±30°	MATL: REFER TO COMPONENTS	CKD: P.M	DATE: 06/26/09	
X.XX ±0.05	X.XX° ±15°	DO NOT SCALE	FINISH: REFER TO COMPONENTS	APP'D: P.M	DATE: 06/26/09
BREAK ALL SHARP EDGES AND REMOVE ALL BURRS		THIRD ANGLE PROJECTION		SCALE: 1.5:1	PART No: AC3MBH-AU-B

REV	DESCRIPTION	DATE	BY	CHG No
2	ADD SUFFIX B TO PART No.	27/08/15	T.N	9318
1	ADD SCHEMATIC CHART	06/26/09	A.O	8793
0	FIRST ISSUE	03/09/07	T.N	8686

REVISION HISTORY

TITLE: XLR MALE B TYPE CONNECTOR CUSTOMER DWG		Amphenol	
DRAWING NO. 55010414-000-2		SHEET 2/2	
Amphenol Australia Pty.Ltd. 2 Fiveways Blvd. Keysborough, Vic3173			