

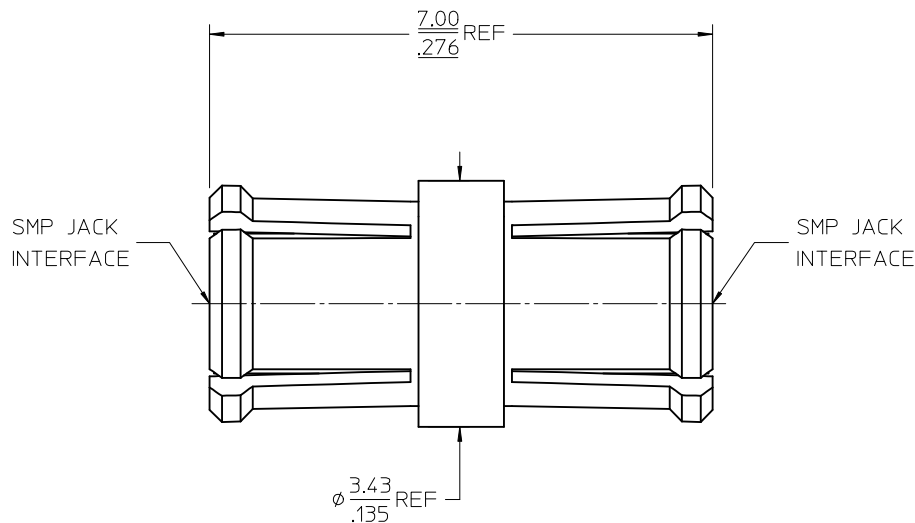
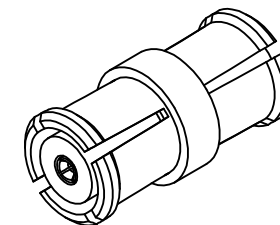


MATERIALS AND FINISHES

BODY BERYLLIUM COPPER  
PLATED GOLD

CENTER CONTACT BERYLLIUM COPPER  
PLATED GOLD

INSULATOR TEFLON



73415-3022	73415-3020 20 PCS PER SMALL TRAY (89707-0308)
73415-3021	73415-3020 ONE PER BAG
73415-3020	250 PCS PER BAG
PART NO.	DESCRIPTION

MIL-STD-348A, FIG. 326.1	INTERFACE
SPECIFICATION	DESCRIPTION

CHG: ADDED PACKAGING PER RF15-E356 EC NO: URF2016-0301 DRWR:YEH 2015/10/16 CHKD: APPR:YCHENG 2015/10/20 DESCRIPTION REV: A2	QUALITY SYMBOLS ▽=0 ▽=0 ▽=0
---	--------------------------------------

GENERAL TOLERANCES (UNLESS SPECIFIED) mm INCH 4 PLACES ± --- ± --- 3 PLACES ± --- ± --- 2 PLACES ± --- ± --- 1 PLACE ± --- ± --- 0 PLACE ± ± ANGULAR ± 2 ° DRAFT WHERE APPLICABLE MUST REMAIN WITHIN DIMENSIONS
---

DIMENSION STYLE MM/IN DRAWN BY SSS DATE 03/01/28 CHECKED BY TEF DATE 03/01/28 APPROVED BY GMH DATE 03/01/28 MATERIAL NO. SEE TABLE SIZE C
--

SCALE 19:1 DESIGN UNITS METRIC THIRD ANGLE PROJECTION TITLE SMP JACK ADAPTER SMP-J/J/ADP molex DOCUMENT NO. SD-73415-302 SHEET NO. 1 OF 1 THIS DRAWING CONTAINS INFORMATION THAT IS PROPRIETARY TO MOLEX INCORPORATED AND SHOULD NOT BE USED WITHOUT WRITTEN PERMISSION
--