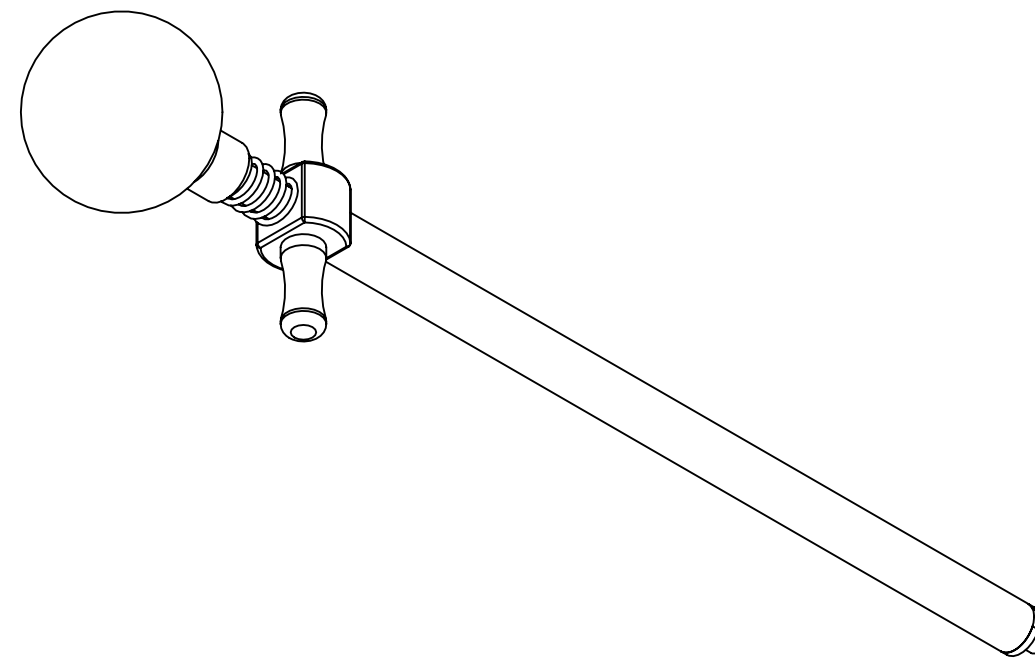
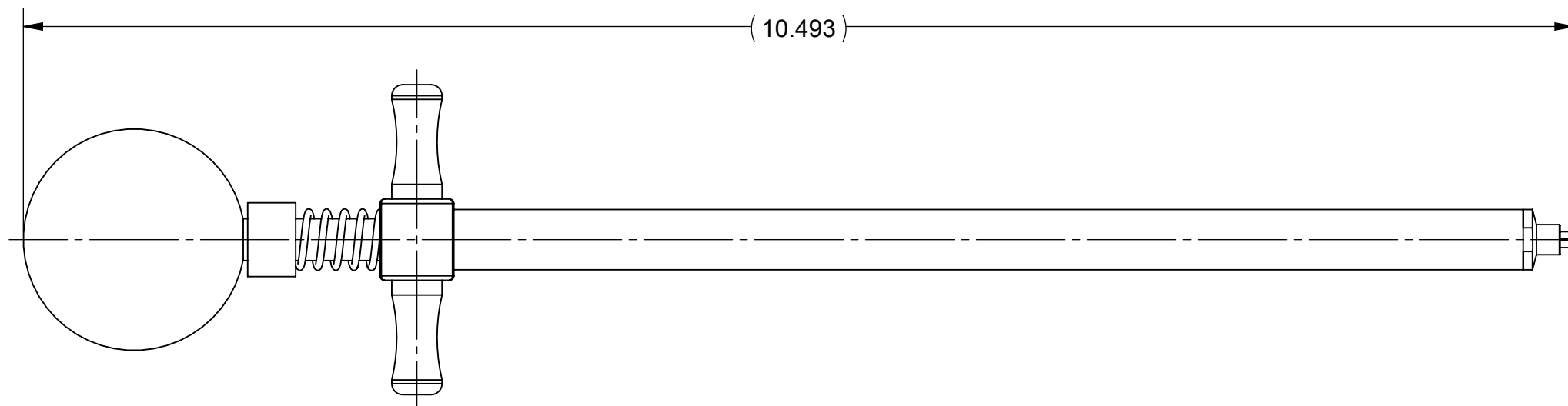
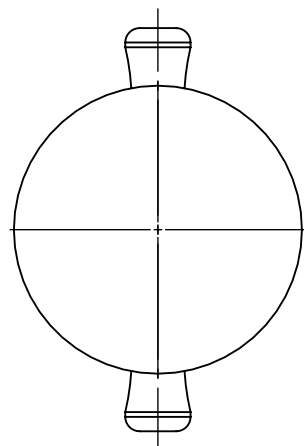


PRODUCT DATA DRAWING

REVISION HISTORY			
REV	DESCRIPTION	DATE	APPROVED
-	DCN 49607	02/20	DAL



MATERIAL:

KNOB: PHENOLIC PLASTIC

SHAFT, COMPRESSION SPRING, TUBE, TIP, FINGER GRIP EXTENSION BAR, SLEEVE & SCREW: STAINLESS STEEL

COLLET: BERYLLIUM COPPER

FINISH:

SHAFT, TUBE, TIP, FINGER GRIP EXTENSION BAR, SLEEVE & SCREW: PASSIVATED

COLLET: ELECTROLESS NICKEL

NOTE:

1. THIS TOOL INSERTS AND REMOVES THE SEPARABLE VITA 67.3 SMPM BACKPLANE CONTACT INTERFACE.

MATERIAL: SEE NOTES	DIMENSIONS ARE IN INCHES TOLERANCES: FRACTIONAL: ±1/64 ANGULAR: X° ±1'0" X°X' ±15'	UNLESS OTHERWISE SPECIFIED 1) ALL DIMENSIONS ARE IN INCHES (MILLIMETERS) 2) ALL DIMENSIONS ARE AFTER PLATING. 3) BREAK CORNERS & EDGES .005 R. MAX. 4) CHAM. 1ST & LAST THREADS. 5) SURFACE ROUGHNESS 63-MIL-STD-10. 6) DIA: 'S ON COMMON CENTERS TO BE CONCENTRIC WITHIN .005 T.I.R. 7) REMOVE ALL BURRS	
FINISH: SEE NOTES	DECIMAL: X ±.030 .XX ±.010 .XXX ±.005	INTERPRET DIMENSIONS AND TOLERANCES PER ASME Y14.5M - 1994	
SURFACE AREA: N/A	THIRD ANGLE PROJECTION	DRAWN: DTL 02/07/20	TITLE: 10.493" SMPM INSTALLATION/REMOVAL TOOL
<p>PROPRIETARY</p> <p>THE INFORMATION CONTAINED IN THIS DRAWING IS THE SOLE PROPERTY OF SV MICROWAVE, INC. ANY REPRODUCTION IN PART OR AS A WHOLE WITHOUT THE WRITTEN PERMISSION OF SV MICROWAVE, INC IS PROHIBITED.</p>		CHECKED: DAL 02/07/20	SIZE DWG. NO. B 500-32-042
		APPROVED: DAL 02/07/20	SCALE: 1:1 SHEET 1 OF 1