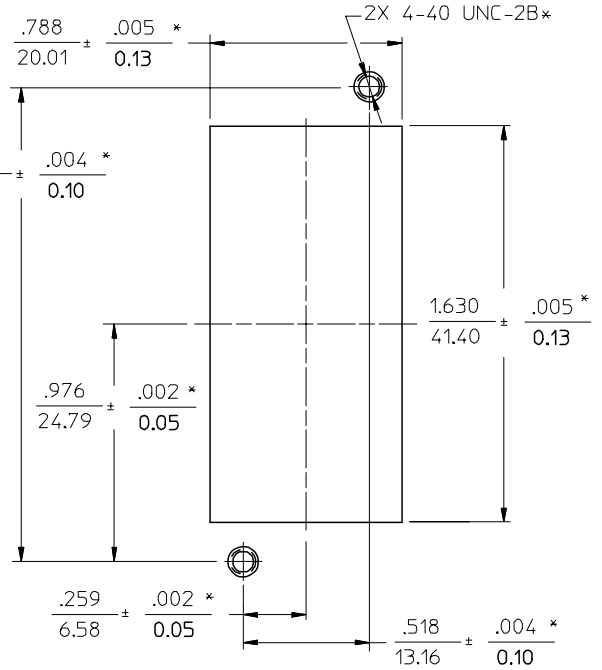
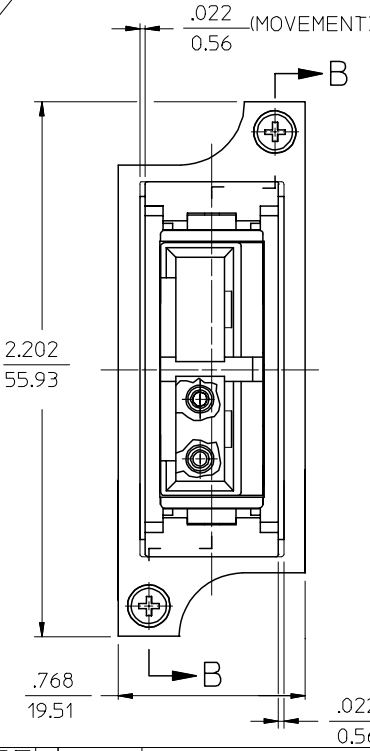
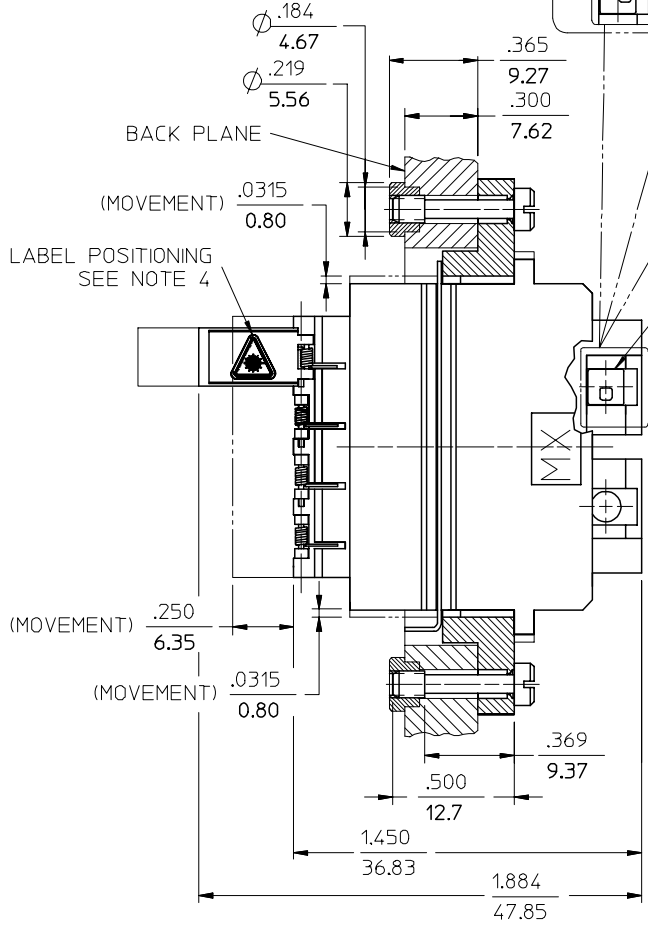
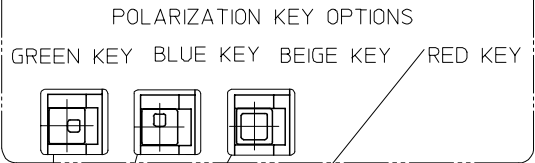


BLC ADAPTER P/N	SPLIT SLEEVE MATERIAL	COLOR
106144-2200	Ph. Bronze	BLACK
106144-2100	Zr	GREEN
106144-2500		GREEN



- NOTES:
- ALL DIM. ARE FOR REFERENCE ONLY, EXCEPT WHEN MARKED WITH (\*).
  - POLARIZATION KEYS AND LABELS ARE PACKED UNASSEMBLED WITH ADAPTER ASSEMBLY IN POLY BAG.
  - ADHESIVE LABELS TO BE POSITIONED ON LC DOORS BY USER. THE ORIENTATION OF THE LABELS SHOULD BE SUCH THAT THE LASER WARNING SYMBOL IS EASILY IDENTIFIED.

ENTER DESCRIPTION EC NO: MF2006-0307 DRWN:PGIBLIN CHKD: 2005/12/01 APPR:IGUMIN 2005/12/01	QUALITY SYMBOLS ▽=0 ▽=0	GENERAL TOLERANCES (UNLESS SPECIFIED)		DIMENSION STYLE	SCALE	DESIGN UNITS	THIRD ANGLE PROJECTION	
		mm	INCH	IN/MM	4:1	INCH		
		4 PLACES ± ---	± ---	DRAWN BY	DATE	TITLE		
		3 PLACES ± ---	± ---	PGIBLIN	2005/10/21	BLC ADAPTER ASSEMBLY (4 POSITION)		
2 PLACES ± ---	± ---	CHECKED BY	DATE	APPROVED BY				
1 PLACE ± ---	± ---	ANGULAR ±1/2°		DATE		MOLEX MOLEX INCORPORATED		
DRAFT WHERE APPLICABLE MUST REMAIN WITHIN DIMENSIONS		MATERIAL NO.	DOCUMENT NO.		SHEET NO.			
		SEE TABLE		SD-106144-2X00		1 OF 01		
		THIS DRAWING CONTAINS INFORMATION THAT IS PROPRIETARY TO MOLEX INCORPORATED AND SHOULD NOT BE USED WITHOUT WRITTEN PERMISSION						