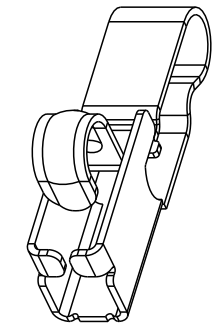
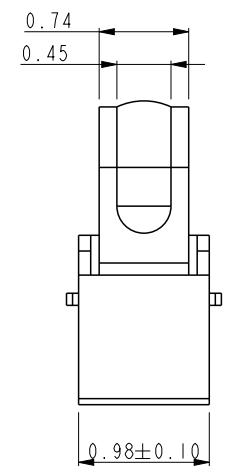
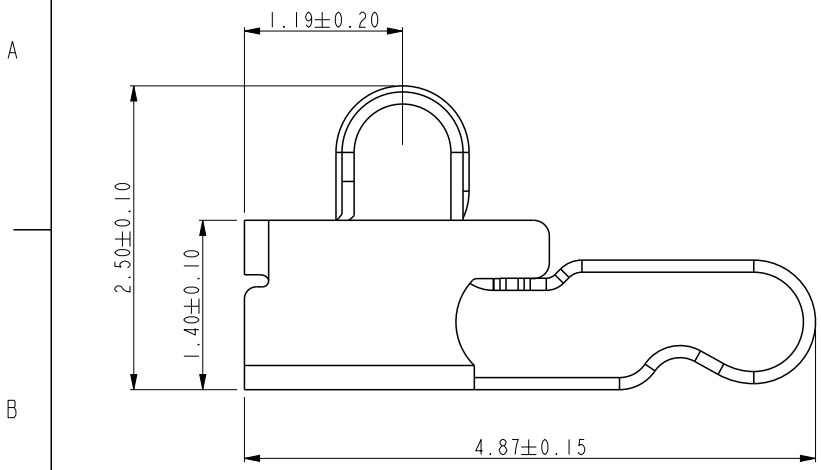
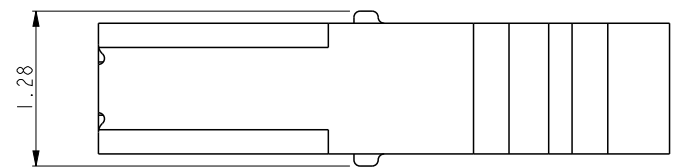


	DESCRIPTION
FCI	10118530-001RLF
	10118530-003RLF
	10118530-009RLF



NOTES:
 1.MATERIAL:COPPER ALLOY.
 2.CONTACT PLATING:
 CONTACT AREA:PLATING Au or GXT over Ni UNDERPLATE.
 (GXT = Gold flash + PdNi)
 SOLDER AREA :PLATING Gold flash over Ni UNDERPLATE.
 3.PACKAGING: TAPE & REEL
 4.PART NUMBER DESCRIPTION:
 10118530-0 0 X X X

LF:LEAD FREE
 R :TAPE & REEL
 CONTACT PLATING
 1 :lum Au over Ni.
 3 :gold flash over Ni.
 9 :lum GXT over Ni.



rev	ecn no	dr	date
A	INITIAL RELEASE	AL	2012-08-23
-	-	-	-
-	-	-	-
-	-	-	-
-	-	-	-



Copyright FCI.

spec ref *		dr	Andy Lu	2012/08/23	projection 	mm 	size	A4	scale	16.000	
tolerance std	TOLERANCES UNLESS OTHERWISE SPECIFIED	eng	Andy Lu	2012/08/23			ecn no	-			
ASME Y14.5		chr	-	-							
surface	linear	appr	Pei-Ming Zheng	2012/08/24	product family	-	rel level	Released			
ASME Y14.5		angular	0°	±2°	title	ANTENNA CONNECTOR UNIVERSAL CONTACT		dwg no	10118530		rev
		www.fci.com	cat. no.	10076429	Product - Customer Drw			sheet 1 of 1			

ProjE File - REV C - 2009-06-09