

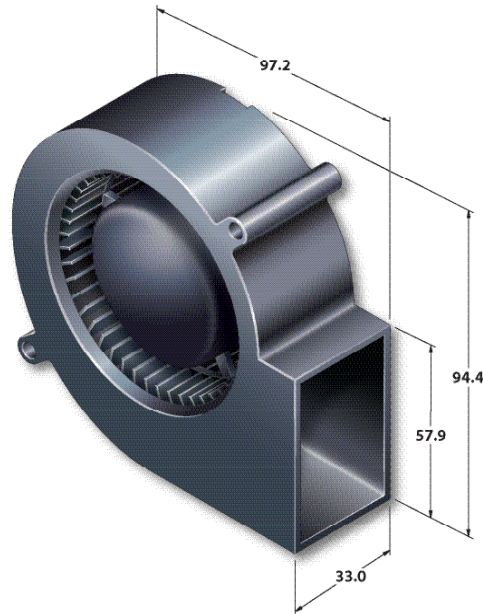
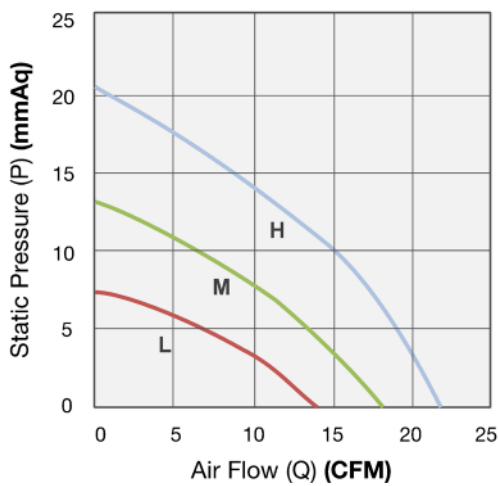
# RB9733 Series

97 x 94 x 33mm (3.82 x 3.70 x 1.30 in)

- 12V, 24V, 48V
- Ball bearings
- 14 CFM to 22 CFM
- Operating life: 50,000 hours
- Operating temperature: -10°C ~ +70°C
- Optional features: Tachometer, Rotation Detector
- UL, cUL, CE Listed
- RoHS Compliant



Model Number	V	Range (V)	A	RPM	CFM	m <sup>3</sup> /min	mmAq	inH <sub>2</sub> O	dBA
RBH9733B	12	6.0~13.8	0.80	3300	21.9	0.62	20.8	0.82	50
RBM9733B	12	6.0~13.8	0.50	2800	18.4	0.52	13.5	0.53	45
RBL9733B	12	6.0~13.8	0.30	2200	14.0	0.39	7.6	0.23	40
RBH9733B2	24	12.0~27.6	0.55	3300	21.9	0.62	20.8	0.82	50
RBM9733B2	24	12.0~27.6	0.35	2800	18.4	0.52	13.5	0.53	45
RBL9733B2	24	12.0~27.6	0.20	2200	14.0	0.39	7.6	0.23	40
RBH9733B4	48	24.0~55.2	0.30	3300	21.9	0.62	20.8	0.82	50
RBM9733B4	48	24.0~55.2	0.20	2800	18.4	0.52	13.5	0.53	45
RBL9733B4	48	24.0~55.2	0.15	2200	14.0	0.39	7.6	0.23	40



- |                   |                           |                          |                                     |                                     |                          |                          |                          |                          |                                     |                          |                          |                          |                          |                          |                          |                          |                          |
|-------------------|---------------------------|--------------------------|-------------------------------------|-------------------------------------|--------------------------|--------------------------|--------------------------|--------------------------|-------------------------------------|--------------------------|--------------------------|--------------------------|--------------------------|--------------------------|--------------------------|--------------------------|--------------------------|
| Optional Features | <input type="checkbox"/>  | <input type="checkbox"/> | <input checked="" type="checkbox"/> | <input checked="" type="checkbox"/> | <input type="checkbox"/> | <input type="checkbox"/> | <input type="checkbox"/> | <input type="checkbox"/> | <input checked="" type="checkbox"/> | <input type="checkbox"/> | <input type="checkbox"/> | <input type="checkbox"/> | <input type="checkbox"/> | <input type="checkbox"/> | <input type="checkbox"/> | <input type="checkbox"/> | <input type="checkbox"/> |
|                   | Inrush Current Protection | Autostart                | Tachometer                          | Rotation Detector                   | Life Detection           | Over Voltage Protection  | VPWM                     | IPWM                     | PPWM                                | TPWM                     | RPWM                     | Current Limit Control    | Constant Speed           | IP56                     | IP67                     |                          |                          |