

4

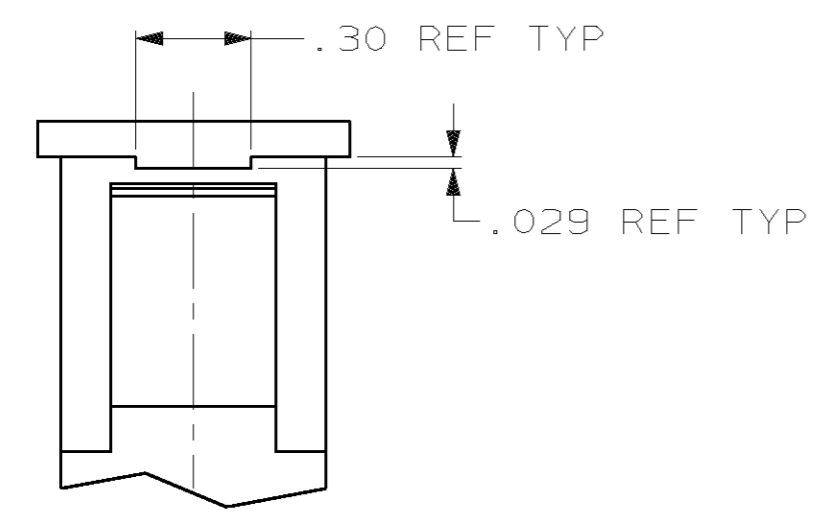
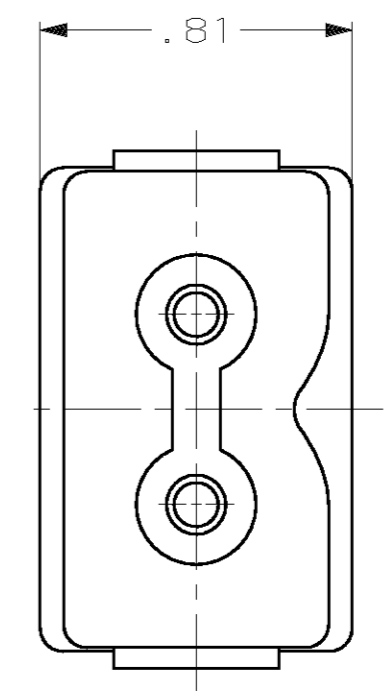
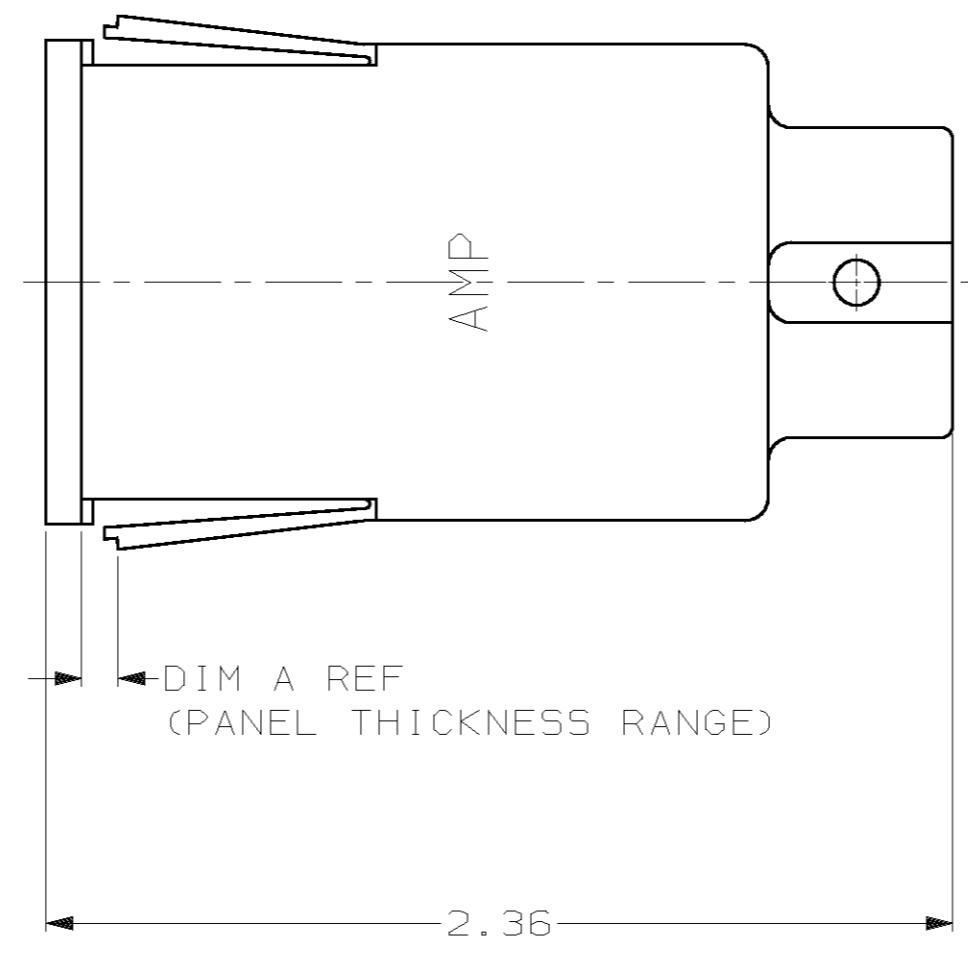
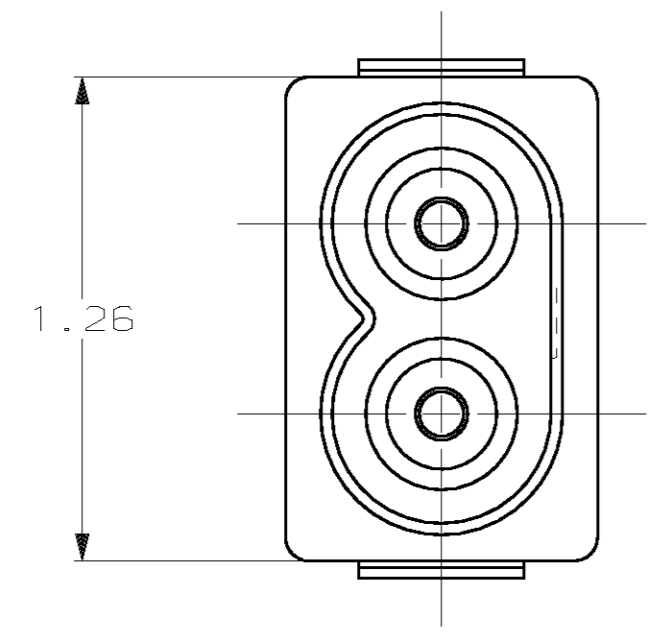
3

2

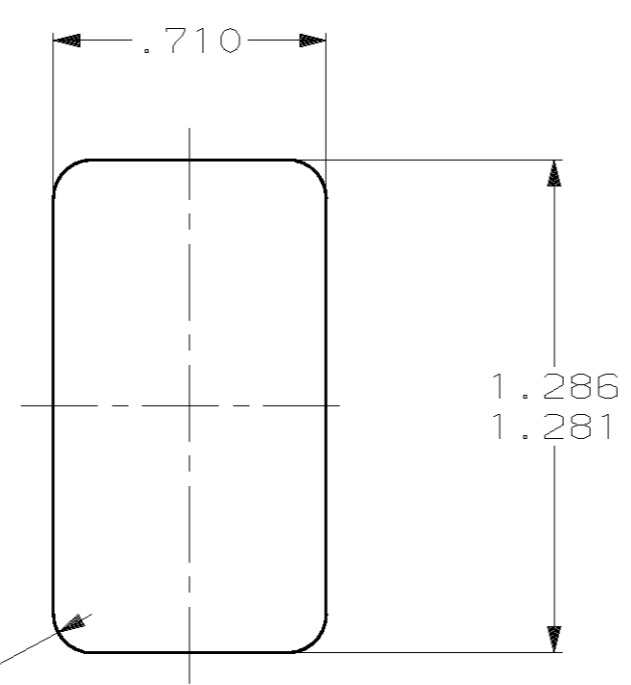
1

THIS DRAWING IS UNPUBLISHED. RELEASED FOR PUBLICATION ,19 .  
 (C) COPYRIGHT 19 BY AMP INCORPORATED. ALL RIGHTS RESERVED.

LOC	DIST	REVISIONS			
P	LTR	DESCRIPTION	DATE	DWN	APVD
DF	SO				
	D	REV PER 063D-0181-03	4-03	CT	DE



.30 TAB ON ALL  
DASH NUMBERS EXCEPT -2



RECOMMENDED  
PANEL CUTOUT

	.051-.065	862382-9
	.051-.065	862382-8
	.051-.065	862382-7
	.082-.096	862382-6
OBsolete	.024-.038	862382-5
	.051-.065	862382-4
	.082-.096	862382-3
	.024-.038	862382-2
	.051-.065	862382-1
	DIM A	PART NO.

THIS DRAWING IS A CONTROLLED DOCUMENT.

DWN	C.C. THOMAS	4-21-03		TYCO Electronics Harrisburg, PA 17105-3608
CHK	D.EABY	4-21-03		
APVD	D.EABY	4-21-03		
NAME				
DIMENSIONS: INCHES TOLERANCES UNLESS OTHERWISE SPECIFIED: 0 PLC ±- 1 PLC ±- 2 PLC ±.03 3 PLC ±.015 4 PLC ±- ANGLES ±-			PRODUCT SPEC APPLICATION SPEC MATERIAL VALOX COLOR BLACK	
MATERIAL VALOX COLOR BLACK			RECEPTACLE HOUSING, 2 CAVITY, LGH SIZE A2 CAGE CODE 00779 DRAWING NO. 862382 RESTRICTED TO -	
CUSTOMER DRAWING			SCALE 2:1 SHEET 1 OF 1 REV D	