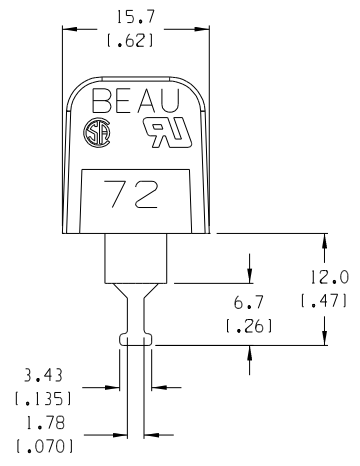
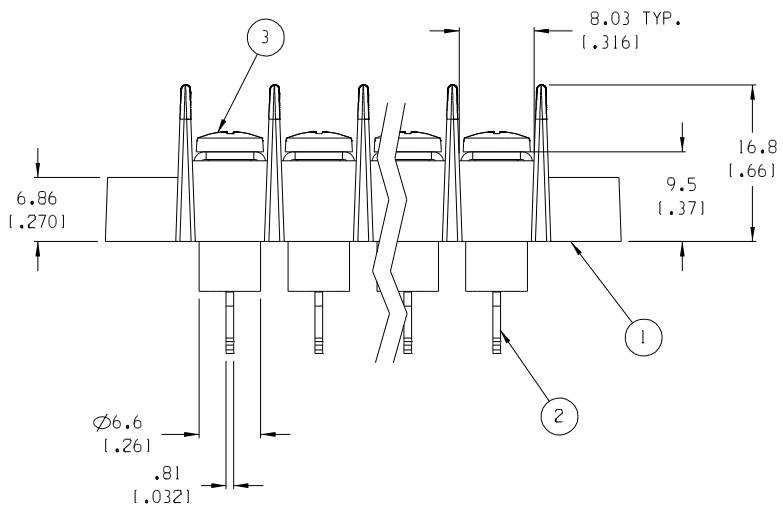


4 CIRCUIT SHOWN



NOTES:

1. MATERIAL: SEE TABLE
2. FINISHES: SEE TABLE
3. PRODUCT SPECIFICATION: NOT REQUIRED
4. PACKAGING: NOT REQUIRED
5. MATES WITH: NONE
6. "XX" REFERS TO THE QUANTITY OF CIRCUITS.

3	XX	SCREW, #6-32X.250, BHD, PHIL-SLOT	STEEL	ZN, CLEAR CHROMATE
2	XX	TERMINAL, TURRET	BRASS	TIN PLATE
1	1	INSULATOR, SR, MOLDED MTG.	THERMOPLASTIC	BLACK
ITEM	QTY.	DESCRIPTION	MATERIAL	FINISH

EC NO. DRWING CHK'D APPR'D	DESCRIPTION	QUALITY SYMBOLS
		MAJOR CRITICAL SPEC
A	REV	

GENERAL TOLERANCES: (UNLESS SPECIFIED)	
mm	INCH
4 PLACES	±.0015
3 PLACES	±.038 ±.005
2 PLACES	±.13 ±.01
1 PLACE	±.3
ANGULAR: ±2°	
DRAFT WHERE APPLICABLE MUST REMAIN WITHIN DIMENSIONS	

SCALE 2:1	DESIGN UNITS <input type="checkbox"/> mm <input checked="" type="checkbox"/> INCH
THIRD ANGLE PROJECTION	
DRAWN BY & DATE C. YORK 02-24-05	
CHECKED BY & DATE	
APPROVED BY & DATE	
CAD FILENAME 722XX-E	

PROJECT NO. -	-	-
DIMENSIONS:	SHT	REV
<input checked="" type="checkbox"/> mm INCH <input type="checkbox"/> INCH mm <input type="checkbox"/> mm ONLY	REVISE ON CAD ONLY	
TITLE: 9.53 (.375) SR BTS ASSY, INSUL. TURRET, MOLDED MTG.		
MOLEX INCORPORATED		
MATERIAL NO. SEE SHT. 2	DRAWING NO. SD-38720-005	SHEET NO. 1 OF 2
THIS DRAWING CONTAINS INFORMATION THAT IS PROPRIETARY TO MOLEX INCORPORATED AND SHOULD NOT BE USED WITHOUT WRITTEN PERMISSION.		
SIZE B		

NO. OF CIRC. "XX"	DIM. "A"		DIM. "B"		DIM. "C"		DIM. "D"		ASSEMBLY MATERIAL NO.
02	36.2	11.431	9.53	1.3751	28.58	1.1251	21.1	1.831	387203102
03	45.7	11.801	19.05	1.7501	38.10	1.5001	30.7	1.211	387203103
04	55.2	12.181	28.58	1.1251	47.63	1.8751	40.2	1.581	387203104
05	64.8	12.551	38.10	1.5001	57.15	2.2501	49.7	1.961	387203105
06	74.3	12.931	47.63	1.8751	66.68	2.6251	59.2	2.331	387203106
07	83.8	13.301	57.15	2.2501	76.20	3.0001	68.8	2.711	387203107
08	93.3	13.681	66.68	2.6251	85.73	3.3751	78.3	3.081	387203108
09	102.9	14.051	76.20	3.0001	95.25	3.7501	87.8	3.461	387203109
10	112.4	14.431	85.73	3.3751	104.78	4.1251	97.3	3.831	387203110
11	121.9	14.801	95.25	3.7501	114.30	4.5001	106.9	4.211	387203111
12	131.4	15.181	104.78	4.1251	123.83	4.8751	116.4	4.581	387203112
13	141.0	15.551	114.30	4.5001	133.35	5.2501	125.9	4.961	387203113
14	150.5	15.931	123.83	4.8751	142.88	5.6251	135.4	5.331	387203114
15	160.0	16.301	133.35	5.2501	152.40	6.0001	145.0	5.711	387203115
16	169.5	16.681	142.88	5.6251	161.93	6.3751	154.5	6.081	387203116
17	179.1	17.051	152.40	6.0001	171.45	6.7501	164.0	6.461	387203117
18	188.6	17.431	161.93	6.3751	180.98	7.1251	173.5	6.831	387203118
19	198.1	17.801	171.45	6.7501	190.50	7.5001	192.6	7.211	387203119
20	207.6	18.181	180.98	7.1251	200.03	7.8751	202.1	7.581	387203120
21	217.2	18.551	190.50	7.5001	209.55	8.2501	211.6	7.961	387203121
22	226.7	18.931	200.03	7.8751	219.08	8.6251	221.2	8.331	387203122
23	236.2	19.301	209.55	8.2501	228.60	9.0001	230.6	8.711	387203123
24	245.7	19.681	219.08	8.6251	238.13	9.3751	230.7	9.081	387203124
25	255.3	110.051	228.60	9.0001	247.65	9.7501	240.2	9.461	387203125
26	264.8	110.431	238.13	9.3751	257.18	110.1251	249.7	9.831	387203126

PROJECT NO. -	-	-
DIMENSIONS:	SHT	REV
<input checked="" type="checkbox"/> mm <input type="checkbox"/> INCH <input type="checkbox"/> mm ONLY	REVISE ON CAD ONLY	

EC NO. SEE SHEET 1 DRWN: CH'K: APPR: REV:	QUALITY SYMBOLS MAJOR CRITICAL SPC	GENERAL TOLERANCES: (UNLESS SPECIFIED) mm INCH 4 PLACES ±.0015 ±.005 3 PLACES ±.038 ±.005 2 PLACES ±.13 ±.01 1 PLACE ±.3 ANGULAR: ±2° DRAFT WHERE APPLICABLE MUST REMAIN WITHIN DIMENSIONS	SCALE -- DESIGN UNITS <input type="checkbox"/> mm <input checked="" type="checkbox"/> INCH DRAWN BY & DATE C. YORK 02-24-05 CHECKED BY & DATE APPROVED BY & DATE	THIRD ANGLE PROJECTION TITLE: 9.53 [1.375] SR BTS ASSY, INSUL. TURRET, MOLDED MTG. MOLEX INCORPORATED
			CAD FILENAME 722XX-E	MATERIAL NO. SEE CHART
			DRAWING NO. SD-38720-005	SHEET NO. 2 OF 2
			THIS DRAWING CONTAINS INFORMATION THAT IS PROPRIETARY TO MOLEX INCORPORATED AND SHOULD NOT BE USED WITHOUT WRITTEN PERMISSION.	

SIZE B