



## Crystal Clock Oscillator Specification

IQD Part No. + Packaging: LFSPXO063850RL3K

Würth Part No. 830206385009



### Description

- Suitable for real time clock applications  
32.768kHz output crystal oscillators  
Ceramic package with a seam sealed metal lid, hermetically sealed
- Model CFPS-107
- Model Issue number 5

### Frequency Parameters

- Frequency 32.7680kHz
- Frequency Stability  $\pm 30.00$ ppm
- Operating Temperature Range  $-40.00$  to  $85.00$ °C
- Ageing  $\pm 3$ ppm max per year

### Electrical Parameters

- Supply Voltage  $1.8V \pm 5\%$
- Current Draw  $1.500$ mA

### Output Details

- Output Compatibility CMOS
- Drive Capability  $15$ pF max
- Rise and Fall Time  $50.0$ ns max
- Duty Cycle  $40/60\%$

### Output Control

- Standby Operation:  
Logic '1' to pad 1 enables oscillator output  
Logic '0' to pad 1 disables oscillator output; when disabled the oscillator output goes to the high impedance state  
No connection to pad 1 enables oscillator output
- Start-up Time:  $35$ ms max  
 $2$ ms typ to 90% of final amplitude (under ideal conditions @  $25$ °C)
- Standby Current:  $10$  $\mu$ A max,  $1.35$  $\mu$ A typ @  $25$ °C

### Environmental Parameters

- Storage Temperature Range:  $-55$  to  $125$ °C
- Shock: MIL-STD-883F, Method 2002.4:  $1500$ G,  $0.5$ ms, 3 times in each of 3 mutually perpendicular planes.
- Vibration: MIL-STD-883F, Method 2007.3:  $20$ G ( $20$ Hz- $2000$ Hz),  $1.52$ mm amplitude

### Manufacturing Details

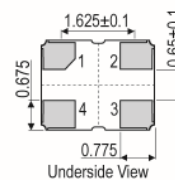
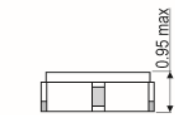
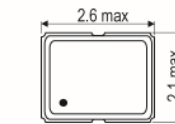
- RoHS Terminations NiAu
- RoHS Reflow Temp  $260$ degC 10s

### Compliance

- RoHS Status (2011/65/EU) Compliant
- REACH Status Compliant
- MSL Rating (JDEC-STD-033): Not Applicable



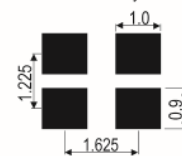
### Outline (mm)



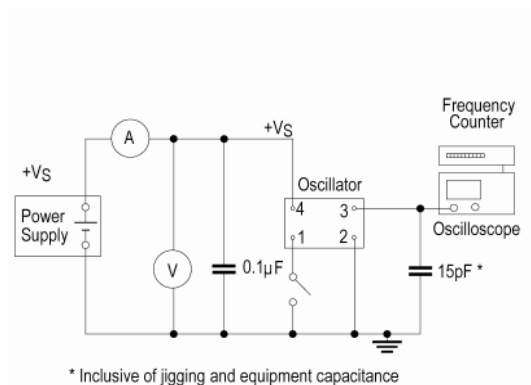
### Pad Connections

1. Standby Operation
2. GND
3. Output
4. +Vs

### Solder Pad Layout



### Test Circuit



### CONTACT INFORMATION:

Würth Elektronik eiSos GmbH & Co. KG  
Max-Eyth-Str. 1, 74638 Waldenburg, Germany  
Tel: +49(0) 7942 945-0

Email: eiSos@we-online.de  
Web: www.we-online.com



## Crystal Clock Oscillator Specification

*IQD Part No. + Packaging: LFSPXO063850RL3K*

*Würth Part No. 830206385009*



### Packaging Details

- Pack Style: RL3K Tape & reel in accordance with EIA-481-D  
Pack Size: 3,000
- *Alternative packing option available*

### USEFUL LINKS

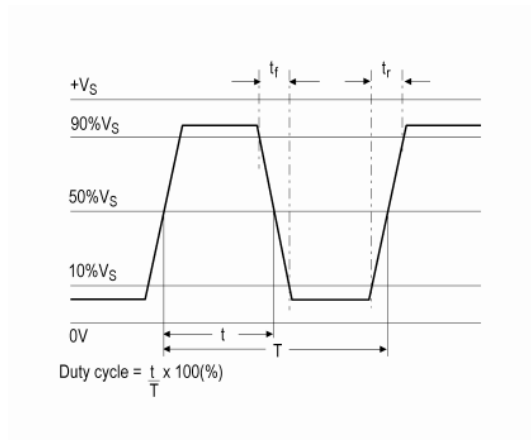
#### Toolbox:

[www.we-online.com/toolbox](http://www.we-online.com/toolbox)

#### Product Catalog:

[www.we-online.com/products](http://www.we-online.com/products)

### Wave Form



### CONTACT INFORMATION:

Würth Elektronik eiSos GmbH & Co. KG  
Max-Eyth-Str. 1, 74638 Waldenburg, Germany  
Tel: +49(0) 7942 945-0

Email: [eiSos@we-online.de](mailto:eiSos@we-online.de)  
Web: [www.we-online.com](http://www.we-online.com)