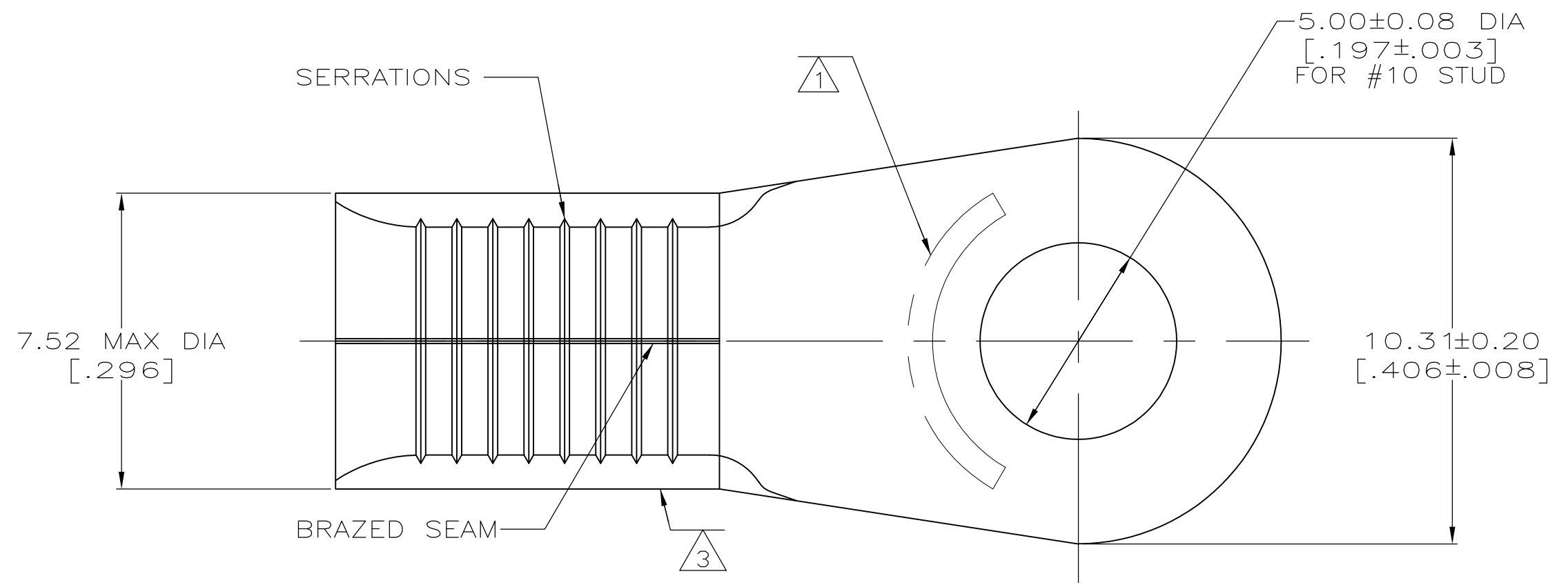


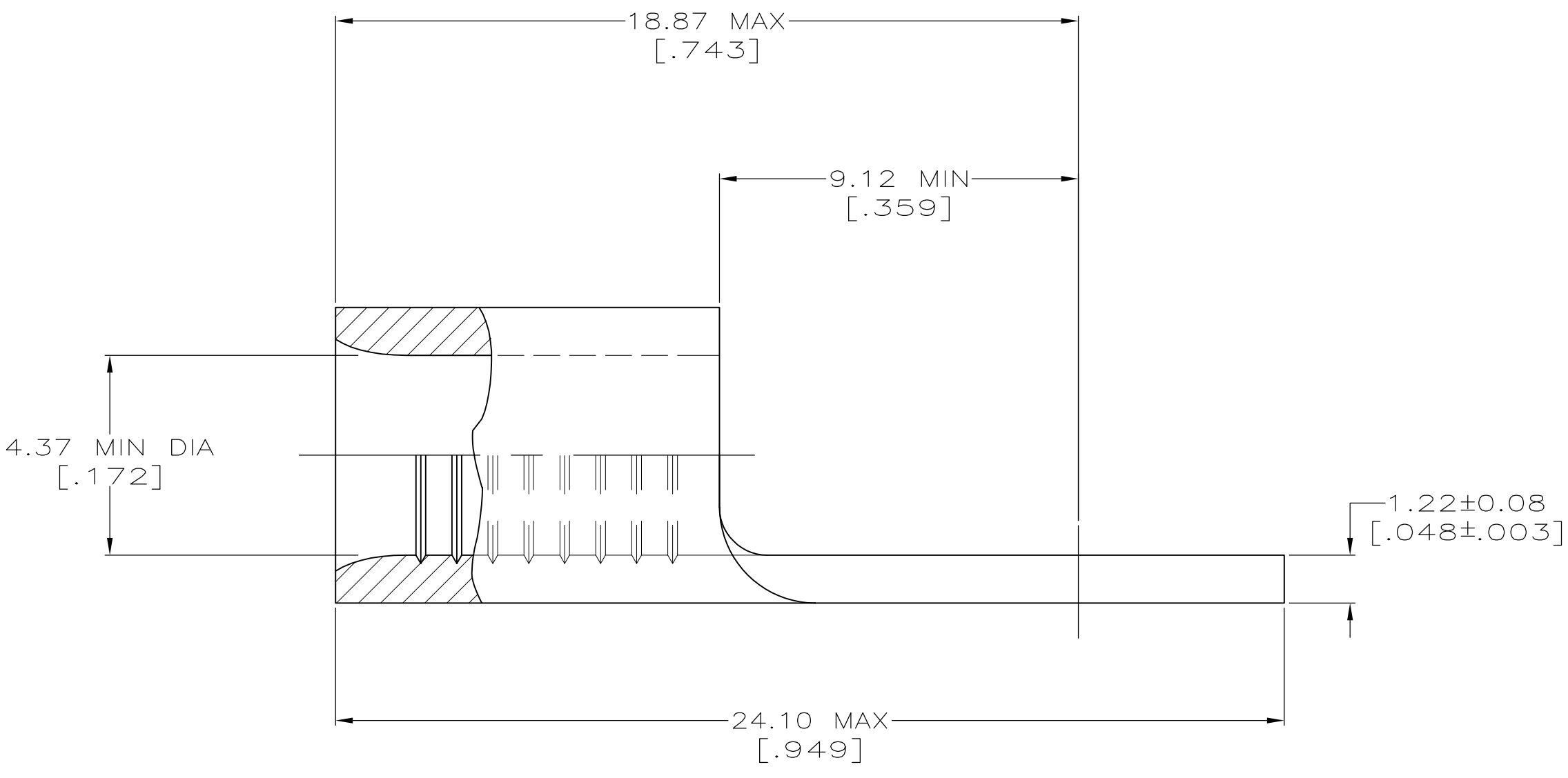
THIS DRAWING IS UNPUBLISHED. RELEASED FOR PUBLICATION
 © COPYRIGHT - By - ALL RIGHTS RESERVED.

LOC	DIST	REVISIONS			
P	LTR	DESCRIPTION	DATE	OWN	APVD
G	14	C3	REVISED PER ECO-12-005490	21MAR12	KH DR



AMP
WIRE RANGE

8 AWG
SOLID OR STRANDED



- 1 STAMP AMP 8 APPROX AS SHOWN
- 2 NICKEL PER ASTM B-162, ANNEALED
- 3 WIRE BARREL COLOR CODED ORANGE TO DENOTE NICKEL MATERIAL

328822
PART NO.

MAX RECOMMENDED OPERATING TEMPERATURE: 649°C MAX VOLTAGE RATING: N/A CIRCULAR MIL AREA: 6.64-10.5mm ² [13,100-20,800] SOLID OR STRANDED	THIS DRAWING IS A CONTROLLED DOCUMENT.		DWN TA BRINKMAN 3-24-93	STE TE Connectivity NAME TERMINAL, RING TONGUE, HIGH TEMPERATURE, STRATO-THERM	RESTRICTED TO
	DIMENSIONS: mm[INCHES]	TOLERANCES UNLESS OTHERWISE SPECIFIED: 0 PLC ± - 1 PLC ± - 2 PLC ± - 3 PLC ± - 4 PLC ± - ANGLES ± ± - FINISH -	CHK DA PATTERSON 3-24-93 APVD JL MECKLEY 3-24-93 PRODUCT SPEC - APPLICATION SPEC - WEIGHT -		
MATERIAL 2			CUSTOMER DRAWING		SCALE 8:1 SHEET 1 OF 1 REV C3