

10 9 8 7 6 5 4 3 2 1

F

E

D

C

B

A

F

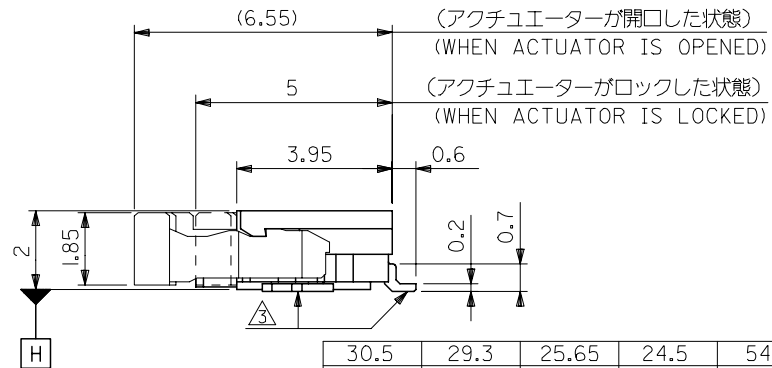
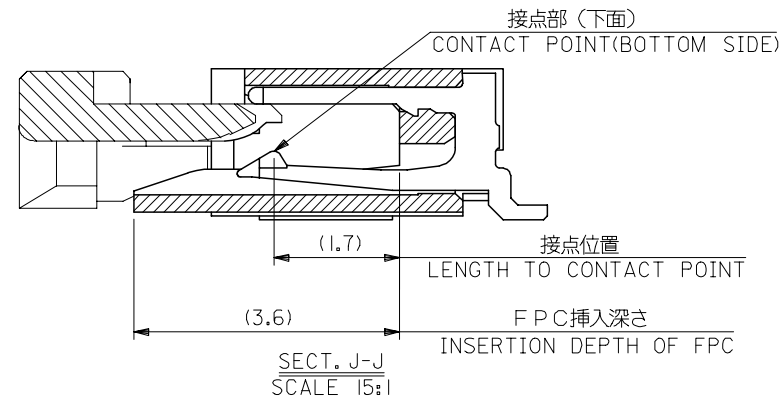
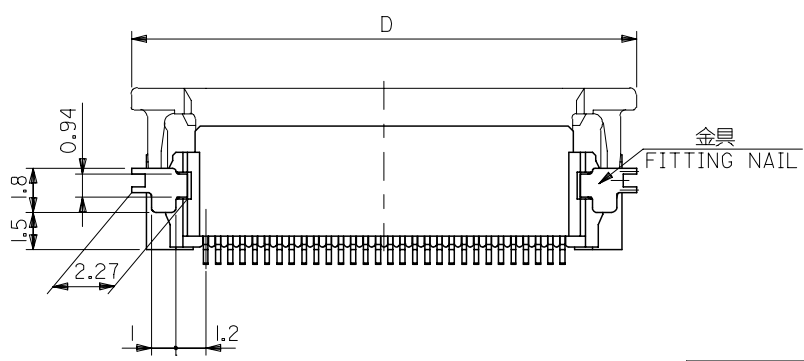
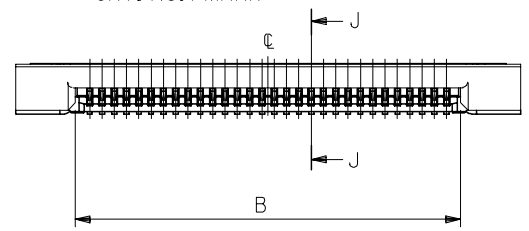
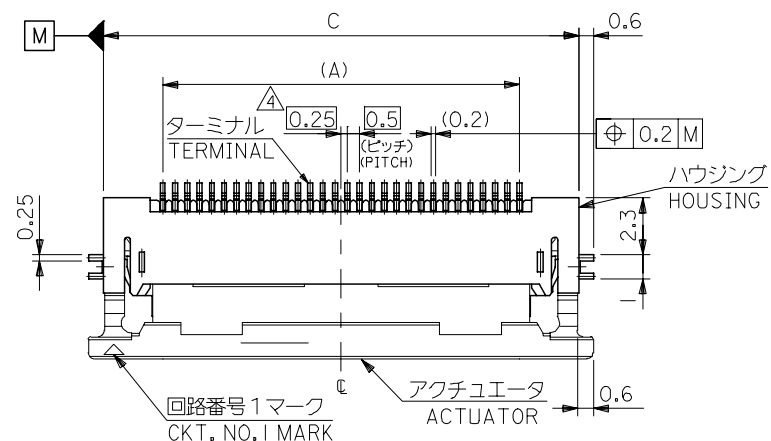
E

D

C

B

A



30.5	29.3	25.65	24.5	54132-5031	50
28.0	26.8	23.15	22.0	-4531	45
27.0	25.8	22.15	21.0	-4331	43
25.5	24.3	20.65	19.5	-4031	40
24.5	23.3	19.65	18.5	-3831	38
23.5	22.3	18.65	17.5	-3631	36
23.0	21.8	18.15	17.0	-3531	35
22.5	21.3	17.65	16.5	-3431	34
22.0	20.8	17.15	16.0	-3331	33
21.5	20.3	16.65	15.5	-3231	32
20.5	19.3	15.65	14.5	54132-3031	30
D	C	B	A	MATERIAL NO.	CKT.

REVISED EC NO: J2006-2797 DRWN: NABE 2006/03/07 CHKD: KTOYODA 2006/03/10 APPR: NUKITA 2006/03/17 A	GENERAL TOLERANCES (UNLESS SPECIFIED)		DIMENSION STYLE MM ONLY		SCALE ---	DESIGN UNITS METRIC	THIRD ANGLE PROJECTION	
	10 UNDER	± 0.2	DRAWN BY K. KOHAMA	DATE '00/09/13	TITLE 0.5 FPC CONN. ZIF HOUSING ASSY FOR SMT. (R/A)BOTTOM CONTACT			
	10 OVER 30 UNDER	± 0.25	CHECKED BY S. KUNISHI	DATE '00/09/13	MOLEX INCORPORATED			
	30 OVER	± 0.3	APPROVED BY M. FUKUSHIMA	DATE '00/09/13	MATERIAL NO. SEE CHART			
	ANGULAR $\pm 3^\circ$		DRAFT WHERE APPLICABLE MUST REMAIN WITHIN DIMENSIONS		DOCUMENT NO. SD-54132-011		SHEET NO. 1 OF 2	

10 9 8 7 6 5 4 3 2 1

F

E

D

C

B

A

F

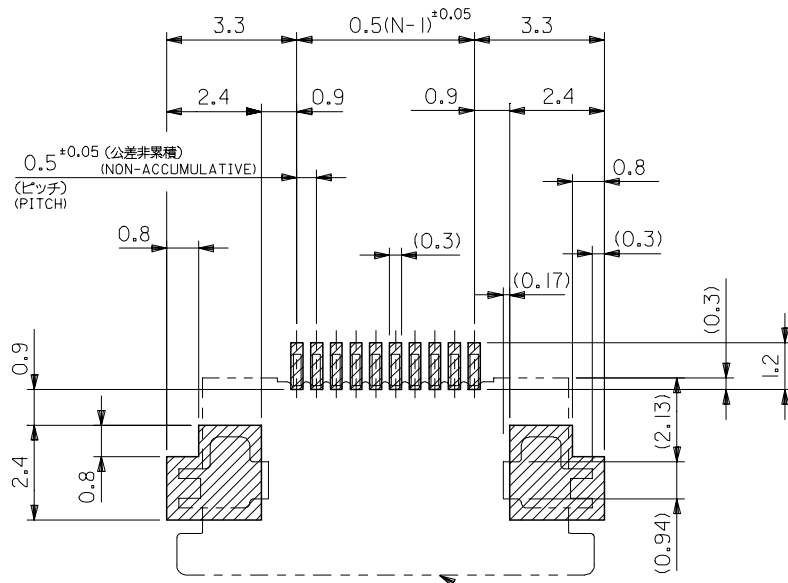
E

D

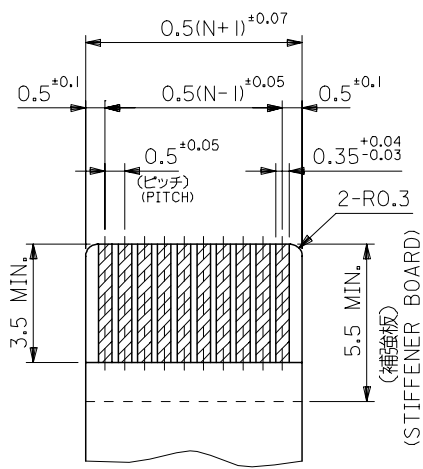
C

B

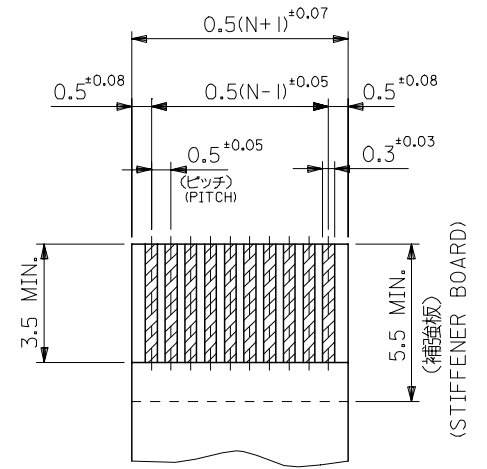
A



参考基板レイアウト
RECOMMENDED PC BOARD PATTERN DIMENSION(REF.)
(マウント面)
(MOUNTING SIDE)



適合FPC推奨寸法
APPLICABLE FPC RECOMMENDED DIMENSION
(仕上がり厚さ: $0.3^{+0.03}$)
(THICKNESS: $0.3^{+0.03}$)



適合FFC推奨寸法
APPLICABLE FFC RECOMMENDED DIMENSION
(仕上がり厚さ: $0.3^{+0.03}$)
(THICKNESS: $0.3^{+0.03}$)

注記

NOTES

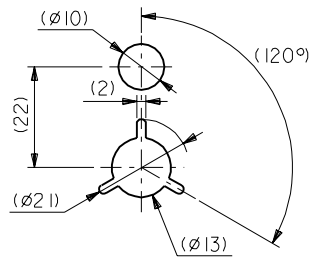
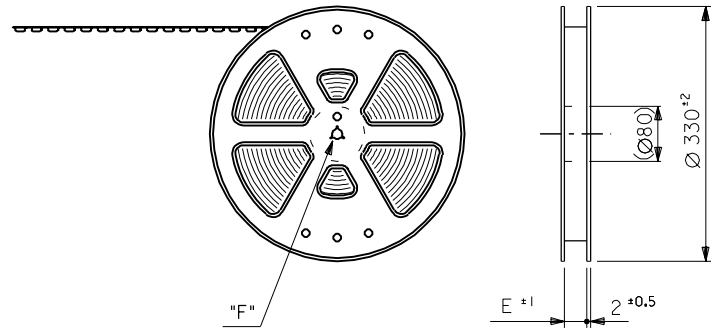
1. 使用材料
MATERIAL
ハウジング
HOUSING : 46ナイロン, UL94V-0
: 46NYLON
アクチュエーター
ACTUATOR : PPS, UL94V-0
: PPS
ターミナル
TERMINAL : リン青銅, 半田メッキ (t=0.2)
: PHOS-BRO, TIN-LEAD PLATED
金具
FITTING NAIL : リン青銅, 半田メッキ (t=0.2)
: PHOS-BRO, TIN-LEAD PLATED
2. インボステープ梱包時は、アクチュエーターがロックした状態とする。
IN THE PACKAGE, ACTUATOR OF PART NO.54132-**31 SHOULD BE LOCKED.
- △ ソルダータール半田付け面のズレ量、及び金具半田付け面のズレ量は、基準面 田 に対し上方向0.1MAX. 下方向0.15MAX. とする。
MISALIGNMENT OF SOLDER TAILS AND FITTING NAIL FROM 田 UPPER DIRECTION: 0.1 MAX., LOWER DIRECTION: 0.15 MAX.
- △ 偶数極に適用
APPLY FOR EVEN CIRCUIT.
- △ パターンはくり止め用金具
FITTING NAIL FOR PREVENTION OF PEELING OF P.C.B. PATTERN.

FPC/FFCについて

打抜き方向は導体側から補強板側を推奨いたします。
導体部については軟銅箔35マイクロメートルまたは50マイクロメートルメッキ厚 3~9マイクロメートル鍍または半田メッキ (電気メッキ)
RECOMMENDED PUNCHER DIRECTION:
FROM CONDUCTOR SIDE TO STIFFENER BOARD SIDE.
RECOMMENDED CONDUCTOR SPEC.:
THICKNESS OF SOFT COPPER FOIL:
35 micrometer or 50 micrometer
TIN OR SOLDER PLATING:
3~9 micrometer (ELECTRICAL PLATING)

REVISED EC NO: J2006-2797 DRWN: NABEI 2006/03/07 CHKDK: TOYODA 2006/03/10 APPR: NUKITA 2006/03/17	GENERAL TOLERANCES (UNLESS SPECIFIED)		DIMENSION STYLE MM ONLY		SCALE ---	DESIGN UNITS METRIC	MODEL NO. 54132-**31	THIRD ANGLE PROJECTION
	10 UNDER	±0.2	DRAWN BY K. KOHAMA	DATE '00/09/13	TITLE 0.5 FPC CONN. ZIF HOUSING ASSY FOR SMT. (R/A) BOTTOM CONTACT			
	10 OVER 30 UNDER	±0.25	CHECKED BY S. KUNISHI	DATE '00/09/13	MOLEX INCORPORATED			
	30 OVER	±0.3	APPROVED BY M. FUKUSHIMA	DATE '00/09/13	SHEET NO. 2 OF 2			
ANGULAR ±3 °		DRAFT WHERE APPLICABLE MUST REMAIN WITHIN DIMENSIONS		MATERIAL NO. SEE CHART	DOCUMENT NO. SD-54132-011			
THIS DRAWING CONTAINS INFORMATION THAT IS PROPRIETARY TO MOLEX INCORPORATED AND SHOULD NOT BE USED WITHOUT WRITTEN PERMISSION								

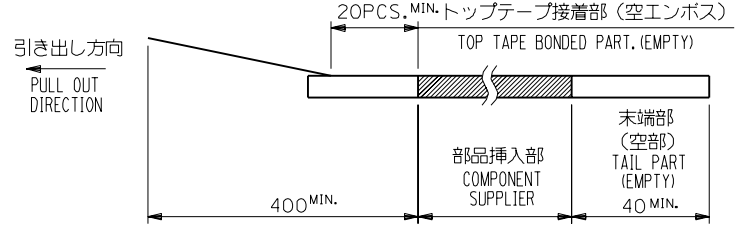
引き出し方向
PULL OUT DIRECTION



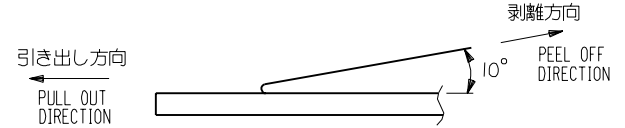
DETAIL "F"

NOTES

- 梱包数量：1500個/リール
NUMBER OF CONNECTORS：1500PCS/REEL
- リードテープ長さ LEAD TAPE LENGTH



- トップテープの剥離強度：0.1N ~ 0.7N(10.2gf ~ 71.4gf)
(剥離方向は下図参照)
尚、本規格値は出荷時に適用。(但し、輸送時に剥離が発生しないこと。)
PEELING OFF FORCE OF TOP TAPE：0.1N ~ 0.7N(10.2gf ~ 71.4gf)
(PEELING DIRECTION AS SHOWN IN FOLLOWING FIG.)
THIS REQUIREMENT SHOULD BE APPLIED AT SHIPMENT.
PEEL OFF SHOULD NOT BE ALLOWED, DURING TRANSPORTATION.

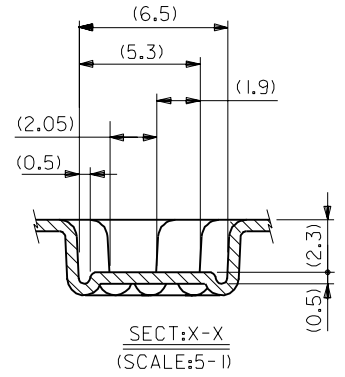
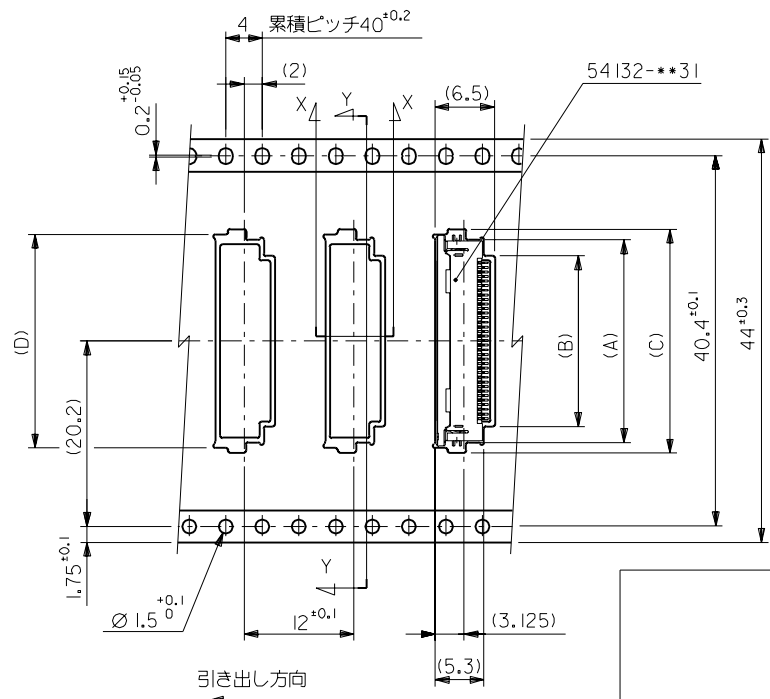
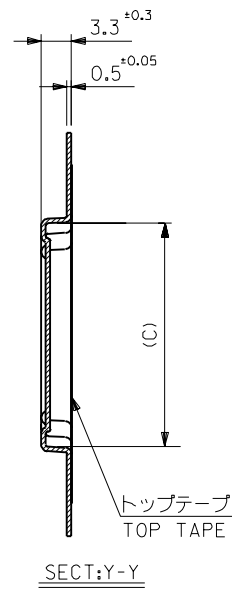


- 材料
キャリアテープ：ポリプロピレン (PP)
トップテープ：PET, PE, PEF
リール：ポリスチレン (PS) <リサイクル材を含む>

MATERIAL CARRIER TAPE:POLYPROPYLENE
TOP TAPE:PET,PE,PEF
REEL:POLYSTYREN(PS)
<RECYCLE MATERIAL CONTAINED>

DO NOT SCALE DRAWING

EC NO. DRWN: CHK: APPR:	EC NO. DRWN: CHK: APPR:	EC NO. DRWN: CHK: APPR:	REVISED	MATERIAL 材料	GENERAL TOLERANCES: (UNLESS SPECIFIED) 一般公差	SCALE 2:1	DESIGN UNITS <input checked="" type="checkbox"/> mm <input type="checkbox"/> INCH	THIRD ANGLE PROJECTION	DIMENSIONS: <input type="checkbox"/> mm <input type="checkbox"/> INCH <input checked="" type="checkbox"/> mm ONLY	SHT	REV
			EC No. JC200 I-0487 DRWN: K.KOHAMA '00/02 CHK: S.KUNISHI '00/02 APPR: M.FUKUSHIMA '00/02								
A			EC No. JC200 I-0171 DRWN: K.KOHAMA '00/09/10 CHK: S.KUNISHI '00/09/10 APPR: M.FUKUSHIMA '00/09/10	注記参照 SEE NOTES	10 OVER 以上	+0.25	CHECKED BY & DATE S.KUNISHI '00/12/22				
				WIRE RANGE 適用範囲線群	30 UNDER 未満	+0.3	APPROVED BY & DATE M.FUKUSHIMA '00/12/22		MATERIAL NO. 54132-***92	DRAWING NO. SD-54132-012	SHEET NO. 1 OF 2
				INS. RANGE 被覆外径	30 OVER 以上	+3°	CAD FILENAME 54132012.S01				SIZE B
THIS DRAWING CONTAINS INFORMATION THAT IS PROPRIETARY TO MOLEX INCORPORATED AND SHOULD NOT BE USED WITHOUT WRITTEN PERMISSION.											



44	45.5	30.8	31.6	26.1	29.6	54132-5092	50	
		28.3	29.4	23.6	27.1	-4592	45	
		27.3	28.4	22.6	26.1	-4392	43	
		25.8	26.9	21.1	24.6	-4092	40	
		24.8	25.9	20.1	23.6	-3892	38	
		23.8	24.9	19.1	22.6	-3692	36	
		23.3	24.4	18.6	22.1	-3592	35	
		22.8	23.9	18.1	21.6	-3492	34	
		22.3	23.4	17.6	21.1	-3392	33	
		21.8	22.9	17.1	20.6	-3292	32	
20.8	21.9	16.1	19.6	54132-3092	30			
キャリアテープ幅 CARRIER TAPE WIDTH		E	D	C	B	A	ENG. NO.	CKT.

EC NO. DRWN: CHK: APPR:	EC NO. DRWN: CHK: APPR:	EC NO. DRWN: CHK: APPR:	REVISED EC No. JC200 I-0487 DRWN: K.KOHAMA '00/02 CHK: S.KUNISHI '00/02 APPR: M.FUKUSHIMA '00/02	RELEASED EC No. JC200 I-0171 DRWN: K.KOHAMA '00/09/0 CHK: S.KUNISHI '00/09/0 APPR: M.FUKUSHIMA '00/09/0	REV DESCRIPTION
					MATERIAL 材料
					SHEET 1 OF 2 参照 REFER TO SHEET 1 OF 2
					FINISH 仕上げ
					WIRE RANGE 通所線幅範囲
					INS. RANGE 被覆外径

GENERAL TOLERANCES: (UNLESS SPECIFIED) 一般公差	SCALE 2:1	DESIGN UNITS <input checked="" type="checkbox"/> mm <input type="checkbox"/> INCH	DIMENSIONS: <input type="checkbox"/> mm <input type="checkbox"/> INCH <input checked="" type="checkbox"/> mm ONLY	SHT	REV
10 UNDER 未満	+0.2	DRAWN BY & DATE K.KOHAMA '00/09/13	THIRD ANGLE PROJECTION		
10 OVER 以上	+0.25	CHECKED BY & DATE S.KUNISHI '00/12/22			
30 OVER 以上	+0.3	APPROVED BY & DATE M.FUKUSHIMA '00/12/22			
ANGLE 角度	+3°	CAD FILENAME 54132012.S02			

TITLE: EMBOSSD TAPE PACKAGE FOR 0.5 FPC CONN. ZIF		MATERIAL NO. 54132-***92		DRAWING NO. SD-54132-012		SHEET NO. 2 OF 2	
MATERIAL NO. 54132-***92		DRAWING NO. SD-54132-012		SHEET NO. 2 OF 2		SIZE B	
THIS DRAWING CONTAINS INFORMATION THAT IS PROPRIETARY TO MOLEX INCORPORATED AND SHOULD NOT BE USED WITHOUT WRITTEN PERMISSION.							