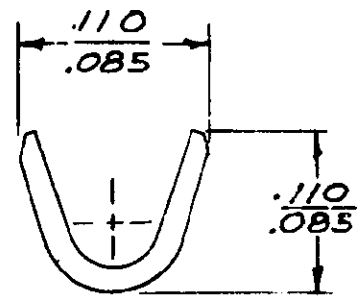
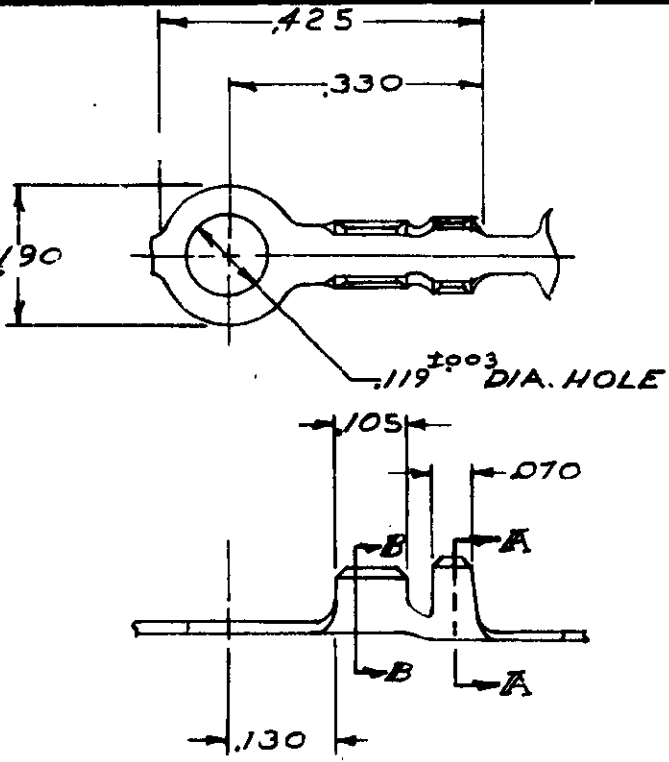
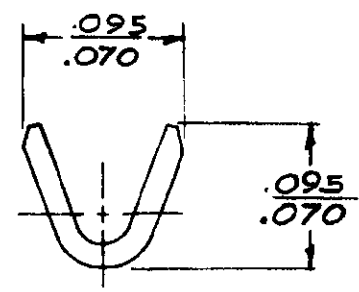


NUMBER 42547



SECT. "A-A"



SECT. "B-B"

CONTINUOUS STRIP ON REELS

WIRE SIZE A.W.G.	INSULATION RANGE	MATERIAL - FINISH	PART NUMBER
26-22	.040 - .060	.014 BRASS - NONE	42547-1
		.014 BRASS - TIN	-2
		.014 BRASS - GOLD	-3
		.014 BRASS - PRE TIN LEAD	-4

⚠ OBSOLETE FOR SUBSIDIARY USE ONLY.

DIMENSIONS IN INCHES. DO NOT SCALE PRINT.

©1968 BY AMP INCORPORATED. ALL RIGHTS RESERVED. AMP PRODUCTS COVERED BY PATENTS AND/OR PATENTS PENDING.

CUSTOMER COPY REFERENCE ONLY



AMP INCORPORATED
HARRISBURG, PENNA.

F	OBsolete 42547-2	A	3074	W	12/8/68
E	REDRAWN				
LTR	REVISION RECORD	ECN	DR	CHK	DATE
DR	3-21-68	DE			
CHK	M. E. NE...	APP			

MATERIAL AND FINISH	
WIRE	RANGE - INSULATION
TYPE	

TOLERANCE EXCEPT AS NOTED	SCALE	LOC	NO	REV
± .015 ± 1° 0'	1:1	AF	A 42547	F

NAME **RING**