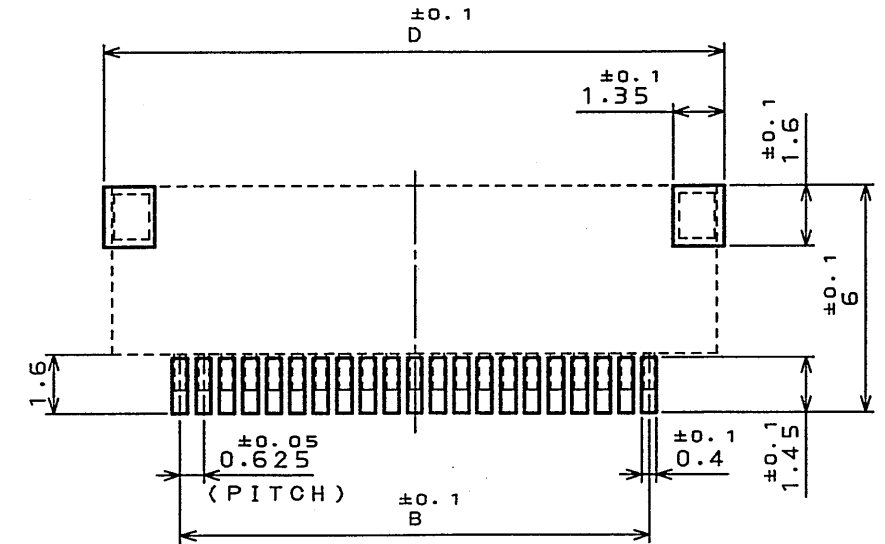
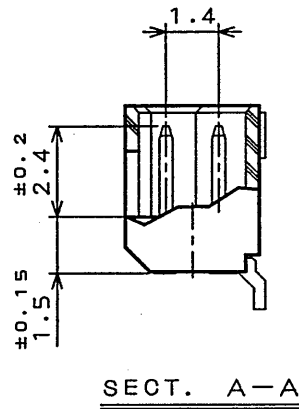
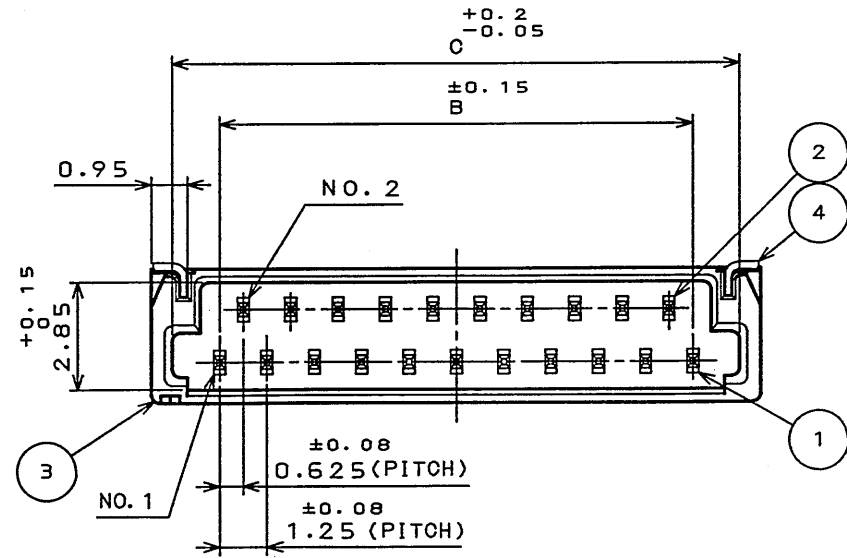


SJ100643
 (図面番号)(DRAWING NO.)

| 版数 REV. | 年月日 DATE | DCN NO. | 変更内容 DESCRIPTION | 製図 DR. | 担当 CHK. | 査閲 APPD. | 承認 APPD. |
|------------|-------------|---------|---------------------|-----------|------------|-------------|-------------|
| | | | | | | | |
| | | | | | | | |



P.C.B. PATTERN DIMENSION(REF.)
 基板パターン寸法(参考)

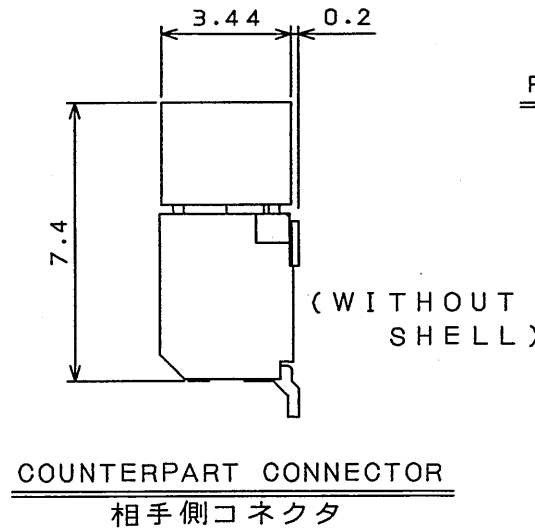
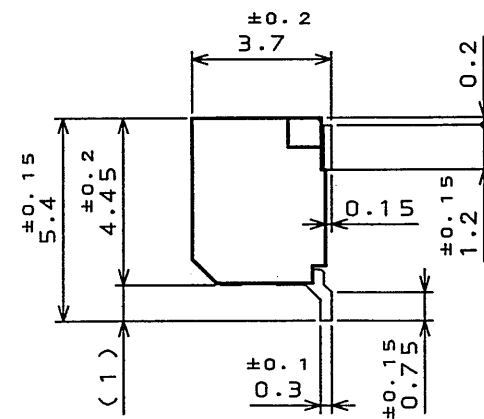
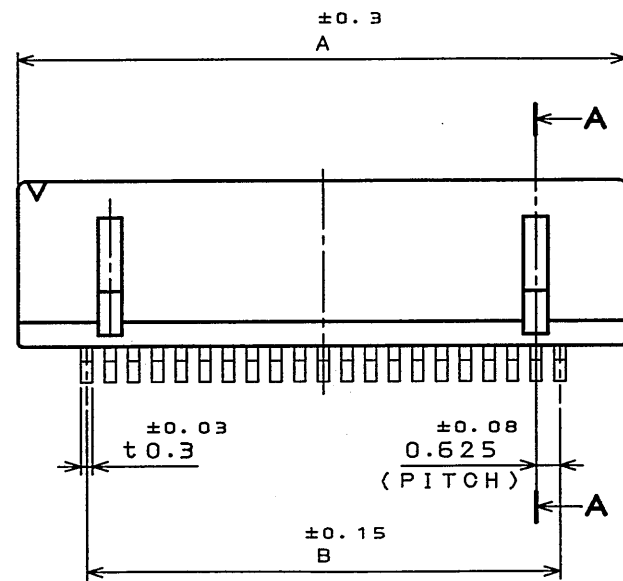


TABLE 1

| DIMENSION NO. OF CONTACTS (N) | A | B | C | D |
|----------------------------------|-------|-------|-------|-------|
| 13 | 11.10 | 7.50 | 10.00 | 11.50 |
| 15 | 12.35 | 8.75 | 11.25 | 12.75 |
| 17 | 13.60 | 10.00 | 12.50 | 14.00 |
| 19 | 14.85 | 11.25 | 13.75 | 15.25 |
| 21 | 16.10 | 12.50 | 15.00 | 16.50 |
| 31 | 22.35 | 18.75 | 21.25 | 22.75 |
| 41 | 28.60 | 25.00 | 27.50 | 29.00 |

| 4 | HOLD DOWN | 2 | COPPER ALLOY | TIN OVER NICKEL | |
|-----------|-------------------|------------|------------------|------------------|---|
| 3 | INSULATOR | 1 | GLASS FILLED PPS | | UL94V-0 BLACK |
| 2 | CONTACT2 | (N-1)/2 | COPPER ALLOY | GOLD OVER NICKEL | TERMINAL AREA: TIN/TIN ALLOY OVER NICKEL |
| 1 | CONTACT1 | (N-1)/2 | COPPER ALLOY | GOLD OVER NICKEL | TERMINAL AREA: TIN/TIN ALLOY OVER NICKEL |
| 符号 NO. | 名称 DESCRIPTION | 個数 QTY. | 材料 MATERIAL | 仕上 FINISH | 備考 REMARKS |

| | | | | | | | |
|--------------------------|-------|------------------------------------|--|-----------------------------|--|---|--|
| 仕様書 (SPECIFICATION) | | 第1版 (ORIGINAL DATE) 28.Jan.2004 | | JAE CONNECTOR COM 5:1 FI | | 日本航空電子工業株式会社 JAPAN AVIATION ELECTRONICS INDUSTRY, LTD. | |
| 一般公差 (GENERAL TOLERANCE) | | 製図 DR. H.SAKURADA | | 名称 (TITLE) FI-W※※P-HFE | | ELECTRONICS INDUSTRY, LTD. | |
| 寸法 (DIMENSION) | | 担当 CHK. T.YAMAJI | | 査閲 APPD. M.Suzuki | | 図面番号 (DRAWING NO.) SJ100643 | |
| 角度 (ANGLES) | | 承認 APPD. Y. Adachi | | 重量 (WEIGHT) | | 版数 (REV.) 1 | |
| · ±0.8 | ×° ± | | | | | | |
| ·X ±0.4 | ××° ± | | | | | | |
| ·XX ±0.1 | | | | | | | |
| ·XXX ± | | | | | | | |

LEAD FREE この製品は鉛フリー品です

DOF-0-212E(03.08)

