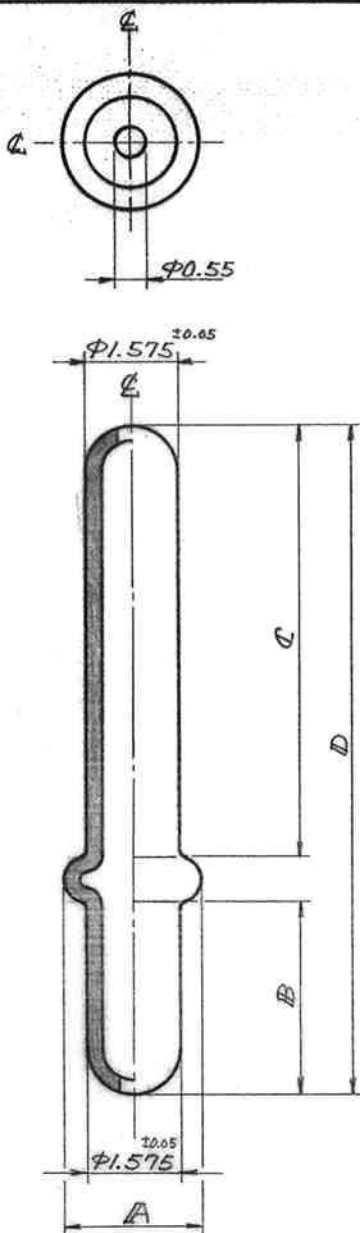


EDP NO. 16-06-00\*\*  
 ENG. NO. SD-R62-\*



注記

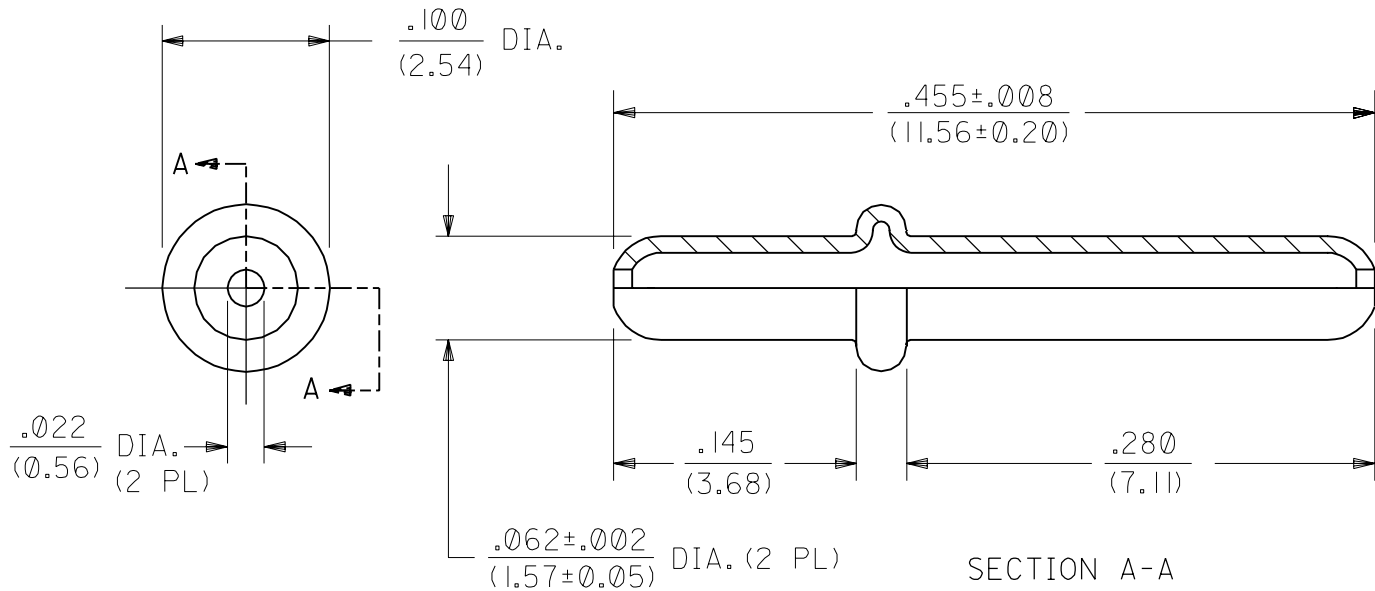
1. 推奨プリント基板穴径:  $\phi 1.65^{+0.05}$

DIMENSIONS IN METRIC DO NOT SCALE DRAWING

角度 ANGLE	$\pm 3^\circ$	16-06-0010	R62-5	$\phi 2.55$	3.68	7.1	11.55	錫メッキ(3 $\mu$ MIN.)
30 以上 OVER	$\pm 0.3$							
10 以上 30 未満 OVER 30 UNDER	$\pm 0.25$	16-06-0011	-4	$\phi 2.28$	3.18	10.15	14.1	錫メッキ(3 $\mu$ MIN.)
10 未満 UNDER	$\pm 0.2$	16-06-0004	R62-3	$\phi 2.29$	3.18	7.11	11.05	錫メッキ(3 $\mu$ MIN.)
一般公差 GENERAL TOLERANCES		EDP NO.	ENG. NO.	A	B	C	D	メッキ仕様 備考

材料 MATERIAL		貴銅		MOLEX MOLEX-JAPAN CO., LTD. 日本モレックス株式会社	
仕上 FINISH		長参照		EDP NO. 16-06-00**	
適用電線範囲 WIRE RANGE				ENG. NO. SD-R62-*	
被覆外径 INS. RANGE				REV D	
DRAWN BY		CHK'D BY		TITLE 名称: BEAD PIN	
APP'D BY		DATE		尺 度 SCALE 8-1	
REVISION RECORD		DR. 日付 DATE			

THIS DRAWING CONTAINS INFORMATION THAT IS PROPRIETARY TO MOLEX(JAPAN) AND SHOULD NOT BE USED WITHOUT WRITTEN PERMISSION  
 本図面は日本モレックス㈱の所有する情報を含むもので当社の許可なく複製を禁止する。



## NOTES:

1. MATERIAL: CARTRIDGE BRASS, ALLOY #C26000.
2. FINISH: .000200/(0.00508) MIN. ELECTRO TIN PLATE.

A

NEW SALES DWG.  
ECN U2 0738  
5-7-92 RW

MFG.	SH.	REV.	LTR.	REVISIONS
------	-----	------	------	-----------

DIMENSIONS SHOWN (METRIC) INCH		$\nabla = 0$ $\blacktriangledown = 0$		REVISE ONLY ON CAD SYSTEM	
UNLESS OTHERWISE SPECIFIED TOLERANCES: ANGULAR $\pm 1/2^\circ$				TITLE	
				.062/(1.57) DIA. PIN FOR P.C. BOARD MOUNTING	
				MOLEX INCORPORATED LISLE, ILL. 60532 U.S.A.	
				SHEET NO. DATE 1 OF 1 5/7/92	
				PART NO. DRWG. NO. 16-06-0010 SDSP-599	
DRWG. BY RW		CHK'D. BY RW		FILE NAME	
APP'D. BY RAS		SCALE 10:1		S599X1 DGN	
DRAFT WHERE APPLICABLE MUST REMAIN WITHIN DIMENSIONS				THIS DRAWING CONTAINS INFORMATION THAT IS PROPRIETARY TO MOLEX INC. AND SHOULD NOT BE USED WITHOUT WRITTEN PERMISSION.	
				DIV. SIZE CP A	