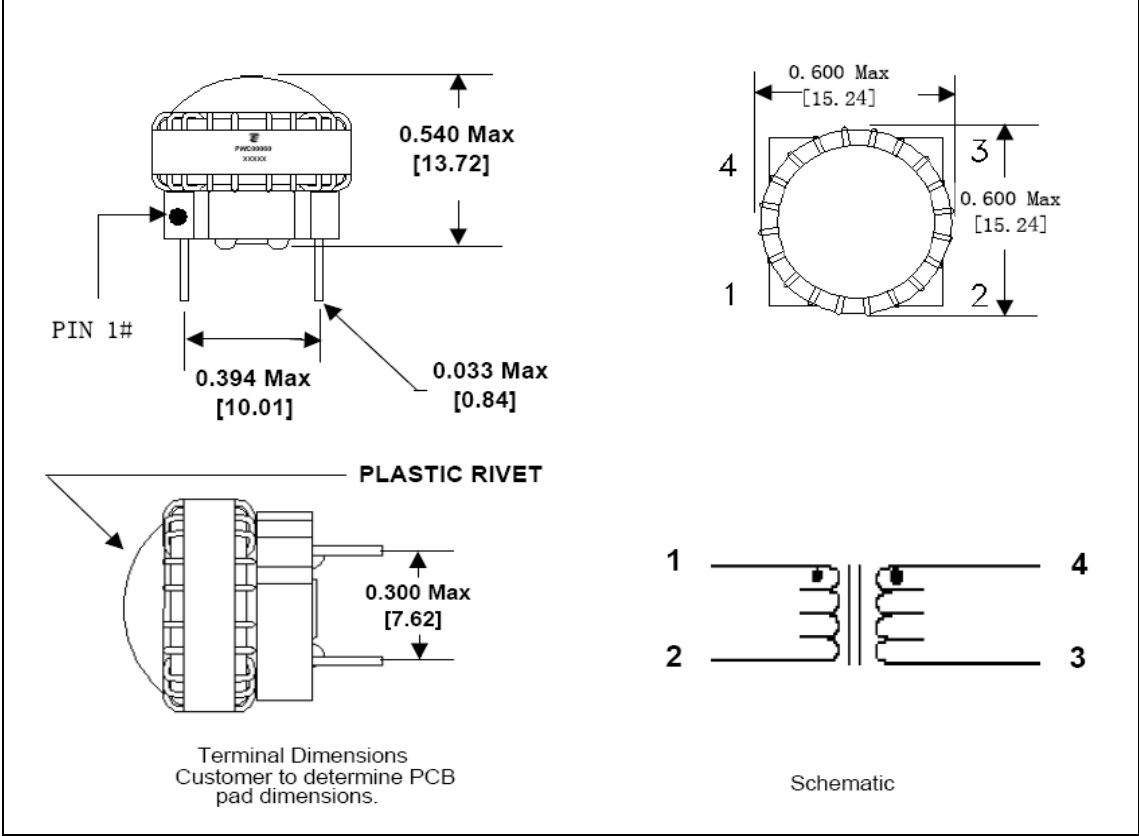


MGPWC-00060-P	REV	
1879559-1	BA	

Product Description **CM Choke, RoHS TTI7570**
Previously MGPWC-00060



Primary Units are in inches millimetres in brackets

Electrical Specifications at +20°C unless noted otherwise

Test	Limits	Unit	Tol	Notes
Inductance	3.70	mH	±20%	2-1, 10kHz, 100mVAC, Ls.
Inductance	3.70	mH	±20%	3-4, 10kHz, 100mVAC, Ls.
Leakage Inductance	5.00	µH	Max.	1-2 Tie(3+4), 10kHz, 100mVAC,Ls.
DC Resistance	1.5	Ω	Max.	Pins 1 - 2
DC Resistance	1.5	Ω	Max.	Pins 3 - 4
Dialectric	500	VDC		1-3, 1 second test

Terminal Plating is Gold Flash over Ni
260°C Maximum reflow temperature per J-STD-020B
Operating Temperature Range: -40°C to +85°C



The information contained in this drawing is the sole property of Tyco Electronics. Any reproduction or use without the written permission of Tyco Electronics is prohibited.

Specifications subject to change without notice. For latest revision visit <http://www.tycoelectronics.com>