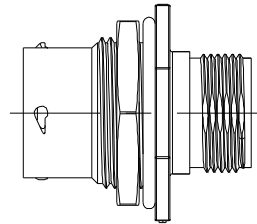
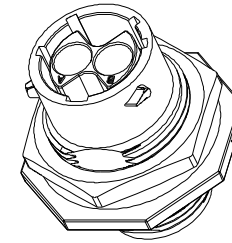
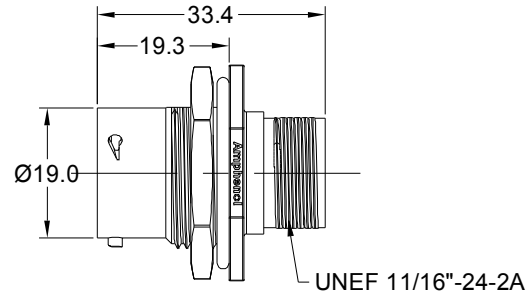
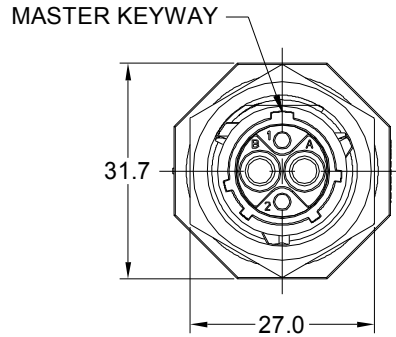


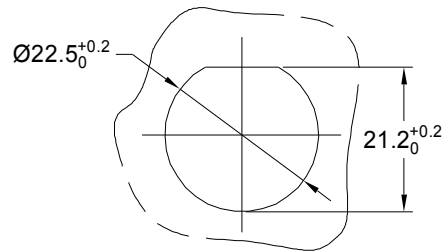
REVISIONS					
REV	ECO	DESCRIPTION	DATE	BY	APPR
A1	-	FIRST RELEASED	Jun.15.2016	Drack	Tommy
A2	-	UPDATE NOTES	Jun-21-2017	Nick	Tommy
A3	-	UPDATE DRAWING	Mar-19-2018	White	Tommy
A4	-	UPDATE DESCRIPTION AND VOLTAGE	SEP-23-2021	BLINK	TOMMY



KEY	PART NUMBER	
		-40°C ~ 105°C
N	RTS712N2P	RTS712N2P03

NOTES : (UNLESS OTHERWISE SPECIFIED)

- MATERIAL :
SHELL : THERMOPLASTIC , UL94 V-0.
INSERT : THERMOPLASTIC , UL94 V-0.
O-RING : NBR OR SILICONE RUBBER.
SEAL GASKET : NBR OR SILICONE RUBBER.
JAM NUT : ALUMINIUM ALLOY , BLACK ANODIZING.
- SPECIFICATIONS :
2.1, RATED CURRENT : 2.5mm CONTACT: 23A (MAX).
20# CONTACT: 5A (MAX).
2.2, RATED VOLTAGE : 500V(AC/DC).
2.3, OPERATING TEMPERATURE : SEE TABLE.
2.4, DIELECTRIC WITHSTANDING VOLTAGE : LESS THAN
2 MILLIAMPS CURRENT LEAKAGE@2000 VOLTS AC.
2.5, INSULATION RESISTANCE : 5000 MEGOHMS MIN.
2.6, IP-CLASS : IP67 AND IP69K IN THE MATED CONDITION,
PANEL EXTERNAL.
2.7, MATING CYCLES DURABILITY : 500 CYCLES MIN.
2.8, RoHS COMPLIANT.
- SUITABLE CONTACTS : 2.5mm CONTACT.
20# CONTACT.
- ALL DIMENSIONS ARE FOR REFERENCE USE ONLY.



MOUNTING HOLE

QUANTITY	PART NUMBER	DESCRIPTION	ITEM
MATERIALS LIST			
UNLESS OTHERWISE SPECIFIED		SIGNATURES DATE	
1) All dimensions are in metric(mm).		DRAWN: BLINK	SEP-23-2021
2) Tolerances are as follows:		CHECKED: ORION	SEP-24-2021
1 PL DEC ±0.30 Fractions ±1/64		ENGINEER:	
2 PL DEC ±0.15 Angles ±1°		APPROVAL: TOMMY	SEP-27-2021
3) Note reference =		CUSTOMER:	
MATERIAL SPECIFICATIONS:		THIS DRAWING IS SUPPLIED FOR INFORMATION ONLY. DESIGN FEATURES, SPECIFICATIONS AND PERFORMANCE DATA SHOWN HEREON ARE THE PROPERTY OF THE AMPHENOL CORPORATION. NO RIGHTS OF REPRODUCTION ARE IMPLIED. ALL DIMENSIONS ARE SUBJECT TO NORMAL MANUFACTURING VARIATIONS.	
PROCESS SPECIFICATIONS:		SIZE	TYPE DWG NO. REVISION
NEXT ASSY:		B	C- RTS712*2Pxx A4
		SCALE	NONE SHEET 1 OF 1

Amphenol

Sine Systems - www.amphenol-sine.com
44724 Morley Drive
Clinton Township, MI 48036

EcoMate Aquarius, RECEPTACLE, JAM NUT,
4 POS(2+2), PIN CONTACT, SIZE 12

TITLE: EcoMate Aquarius, RECEPTACLE, JAM NUT, 4 POS(2+2), PIN CONTACT, SIZE 12
DWG NO.: RTS712*2Pxx
REV: A4
SH: 1
OF: 1