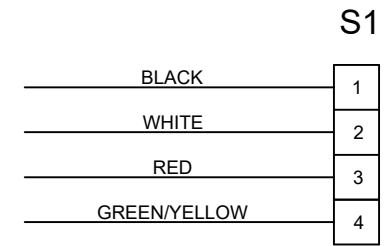
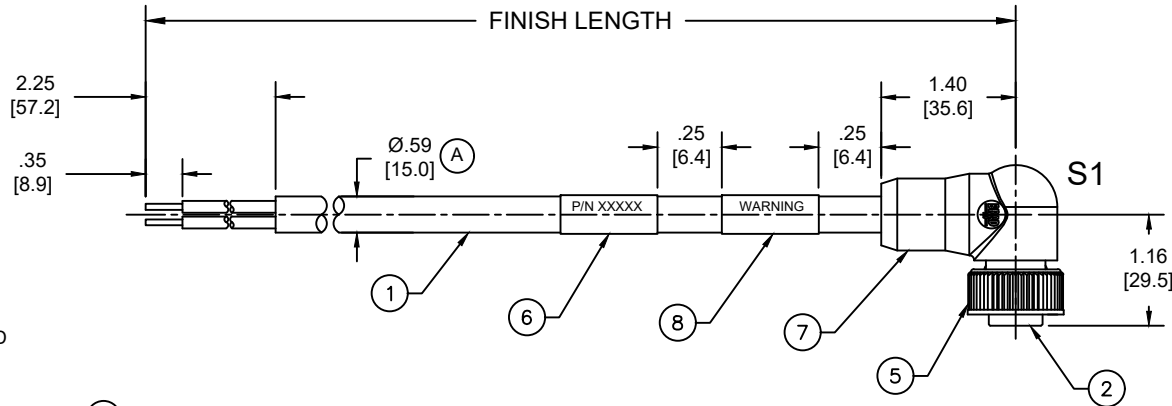
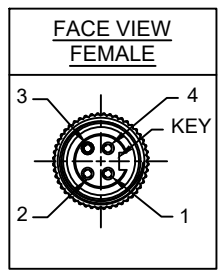


MATERIAL NUMBER	ENGINEERING NUMBER	FINISHED LENGTH
1300610110	104001A46F200	20FT [6.1M]
1300610125	104001A46M100	10M [32FT 10 IN]
1300610128	104001A46M270	27M [88FT 7 IN]

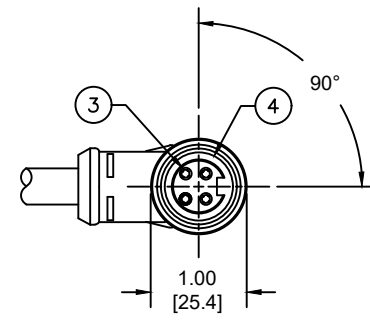
(A) PART NUMBER LEGEND

104001A46F200

LENGTH:
 F100= 10 FEET
 F200= 20 FEET
 M005= 0.5 METER
 M010= 1 METER
 M100= 10 METER



- NOTES:**
- MATERIAL: AS NOTED
 - FINISH: AS NOTED
 - ELECTRICAL:
 - VOLTAGE: 483V PER IEC60664 (A)
 - 600V PER UL2237
 - CURRENT: 15A
 - TEMP RATING: -20°TO +105°C (A)
 - PROTECTION: IP67 (WHEN MATED)
 - COUPLING THREAD: 7/8"-16UN
 - UL LISTED FILE: E258922
 - ALL DIMENSIONS ARE FOR REFERENCE UNLESS TOLERANCED OR NOTED OTHERWISE



(A) CABLE LENGTH TOLERANCES

<.3M [1FT]:	+19mm-0 [+ .75in-0]
.3 - .9M [1 - 3FT]:	+44.5mm-0 [+1.75in-0]
.9 - 1.8M [3 - 6FT]:	+55.6mm-0 [+2.19in-0]
1.8 - 3.7M [6 - 12FT]:	+88.9mm-0 [+3.50in-0]
3.7 - 7.3M [12 - 24FT]:	+165.1mm-0 [+6.50in-0]
7.3-14.6M [24 - 48FT]:	+317.5mm-0 [+12.50in-0]
14.6 - 30.5M [48-100FT]:	+622.3mm-0 [+24.50in-0]
OVER 30M [100FT]	+2% OF FINISHED LENGTH

ITEM	DESCRIPTION	MATERIAL	FINISH
8	WARNING LABEL	VINYL	BLACK
7	OVERMOLD	TPE	GRAY
6	WRAP LABEL	VINYL	YELLOW
5	COUPLING NUT	ZINC ALLOY	BLACK E-COAT
4	FRICTION RING	NYLON	WHITE
3	SOCKET CONTACT	BRASS	GOLD OVER NICKEL
2	INSERT	TPE	BLACK
1	#14/4 CABLE	PVC JACKET	GRAY

THIS DRAWING CONTAINS INFORMATION THAT IS PROPRIETARY TO MOLEX ELECTRONIC TECHNOLOGIES, LLC AND SHOULD NOT BE USED WITHOUT WRITTEN PERMISSION

FUNCTIONAL SYMBOLS	DIMENSION UNITS		SCALE	CURRENT REV DESC: ITEM 2 & 7 WERE PVC. SOCKET & SLEEVE SHOWN AS ITEM-3. ADDED IEC VOLTAGE, PN LEGEND, CABLE DIA & TOL CHART. MODIFIED TEMP RATING AND PN TABLE. REMOVED CSA IN NOTES
	INCH/MM	NTS		
DIVISIONAL SYMBOLS	GENERAL TOLERANCES (UNLESS SPECIFIED)			EC NO: 698916 DRWN: ABENJAMINLW 2021/06/14 CHK'D: RSTONE 2022/03/09 APPR: BWOODMAN 2022/03/11 INITIAL REVISION: DRWN: VOU 2010/01/14 APPR: JFMURPHY 2010/01/20
		mm	INCH	
	4 PLACES	±----	±----	
	3 PLACES	±----	±----	
	2 PLACES	±----	±----	
1 PLACE	±----	±----		
0 PLACES	±----	±----		
	ANGULAR TOL ± ---- °			
	DRAFT WHERE APPLICABLE MUST REMAIN WITHIN DIMENSIONS			

molex

BRAD POWER CORDSET, A-SIZE
 4-POLE, FEMALE 90DEG, SINGLE KEY,
 #14 AWG

PRODUCT CUSTOMER DRAWING

DOCUMENT NUMBER	DOC TYPE	DOC PART	REVISION
SD-130061-014	PSD	001	A

MATERIAL NUMBER	CUSTOMER	SHEET NUMBER
SEE CHART	GENERAL MARKET	1 OF 1

DOCUMENT STATUS	P1	RELEASE DATE	2022/03/11	14:29:46
-----------------	----	--------------	------------	----------