

THIS DRAWING IS UNPUBLISHED. RELEASED FOR PUBLICATION  
 © COPYRIGHT BY TYCO ELECTRONICS CORPORATION. ALL RIGHTS RESERVED.

Loc	DIST	REVISIONS			
P	LTR	DESCRIPTION	DATE	DWN	APVD
AD	00	0	PRELIMINARY RELEASE	15JAN02	RB HW

SPECIFICATIONS:

MATERIALS

CASE: THERMOPLASTIC, UL94HB, BLACK  
 COVER: STEEL, TIN PLATED  
 ACTUATOR BUTTON: THERMOPLASTIC, UL94HB, BLUE  
 CONTACT: PHOS BRONZE, SILVER CLAD  
 TERMINAL: BRASS, SILVER PLATED

ELECTRICAL

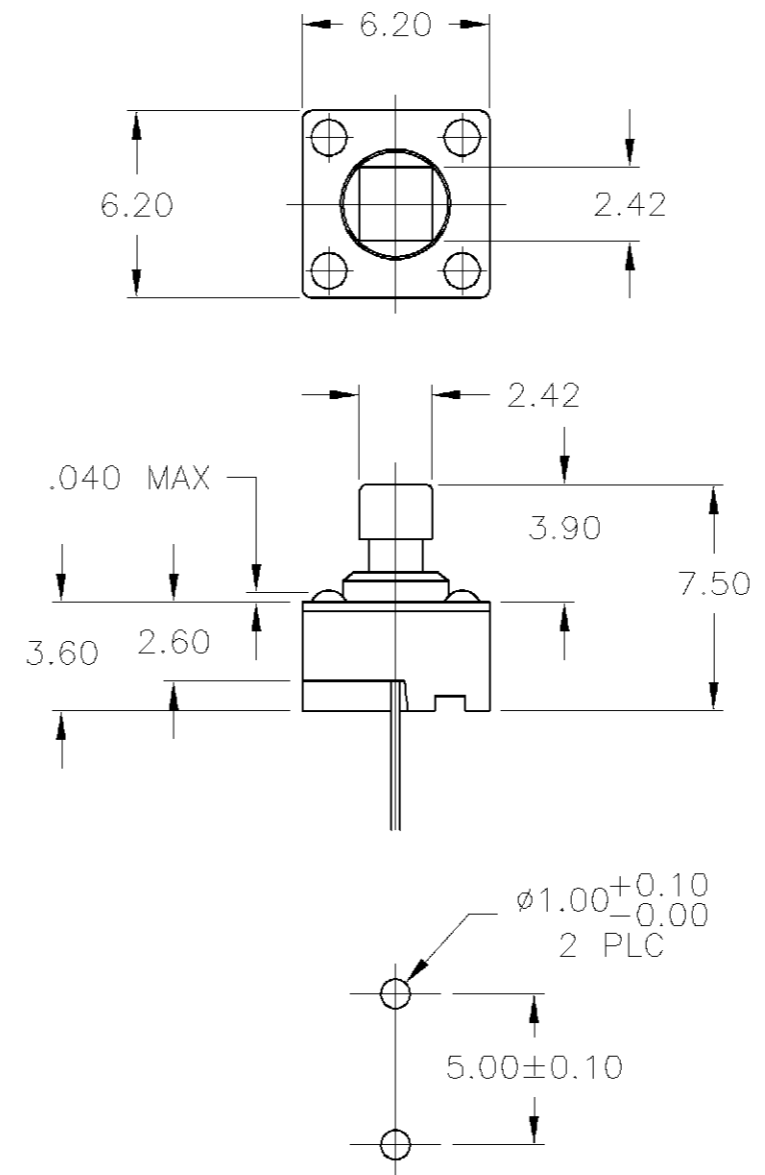
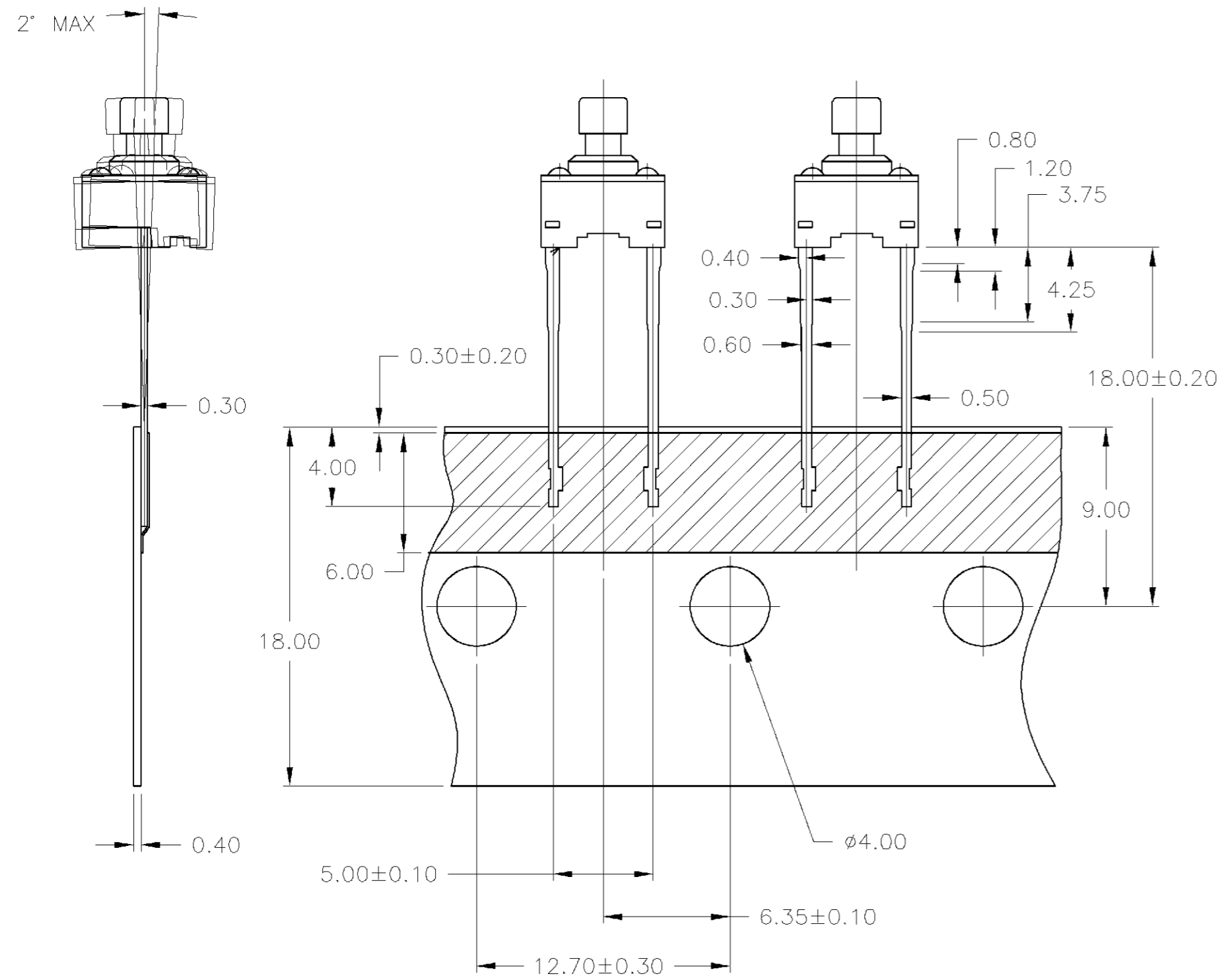
CONTACT RATING 12VDC, 50mA  
 INITIAL CONTACT RESISTANCE: 100 MILLIOHMS MAX  
 FINAL CONTACT RESISTANCE: 500 MILLIOHMS MAX  
 INSULATION RESISTANCE: 100 MEGOHMS MIN  
 DIELECTRIC STRENGTH: 250VAC  
 LIFE EXPECTANCY: UP TO 100,000 CYCLES

MECHANICAL

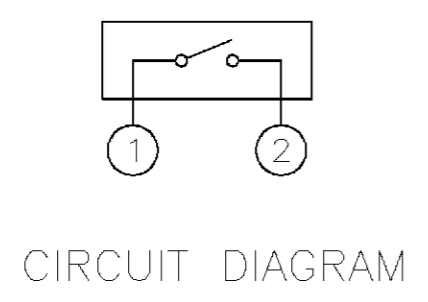
ACTUATION FORCE: 160+/-50GF  
 ACTUATION TRAVEL: 0.25+0.2/-0.1mm

ENVIRONMENTAL

OPERATING TEMPERATURE: -20°C TO 70°C  
 45% TO 85% RH  
 STORAGE TEMPERATURE: -20°C TO 50°C  
 20% TO 85% RH



PCB MOUNTING HOLE DIMENSIONS



**PRELIMINARY**  
 NOT RELEASED FOR  
 PRODUCTION

FSMCDRT	1571185-1
ALCOSWITCH PART NUMBER	TYCO PART NUMBER

THIS DRAWING IS A CONTROLLED DOCUMENT.		DWN	R BROWN	15JAN02	 Tyco Electronics Corporation Harrisburg, PA 17105			
DIMENSIONS: MM		CHK	H WYNKOOP	15JAN02				
TOLERANCES UNLESS OTHERWISE SPECIFIED:		APVD	H WYNKOOP	15JAN02				
0 PLC ± - 1 PLC ± - 2 PLC ± 0.30 3 PLC ± - 4 PLC ± - ANGLES ± -		PRODUCT SPEC	NAME			SWITCHES, 6 X 6, RADIAL TAPE		
MATERIAL	FINISH	WEIGHT	SIZE		CAGE CODE	DRAWING NO	RESTRICTED TO	
-	-	-	A2		00779	C=1571185	-	
CUSTOMER DRAWING			SCALE	1:1	SHEET	1 OF 1	REV	0