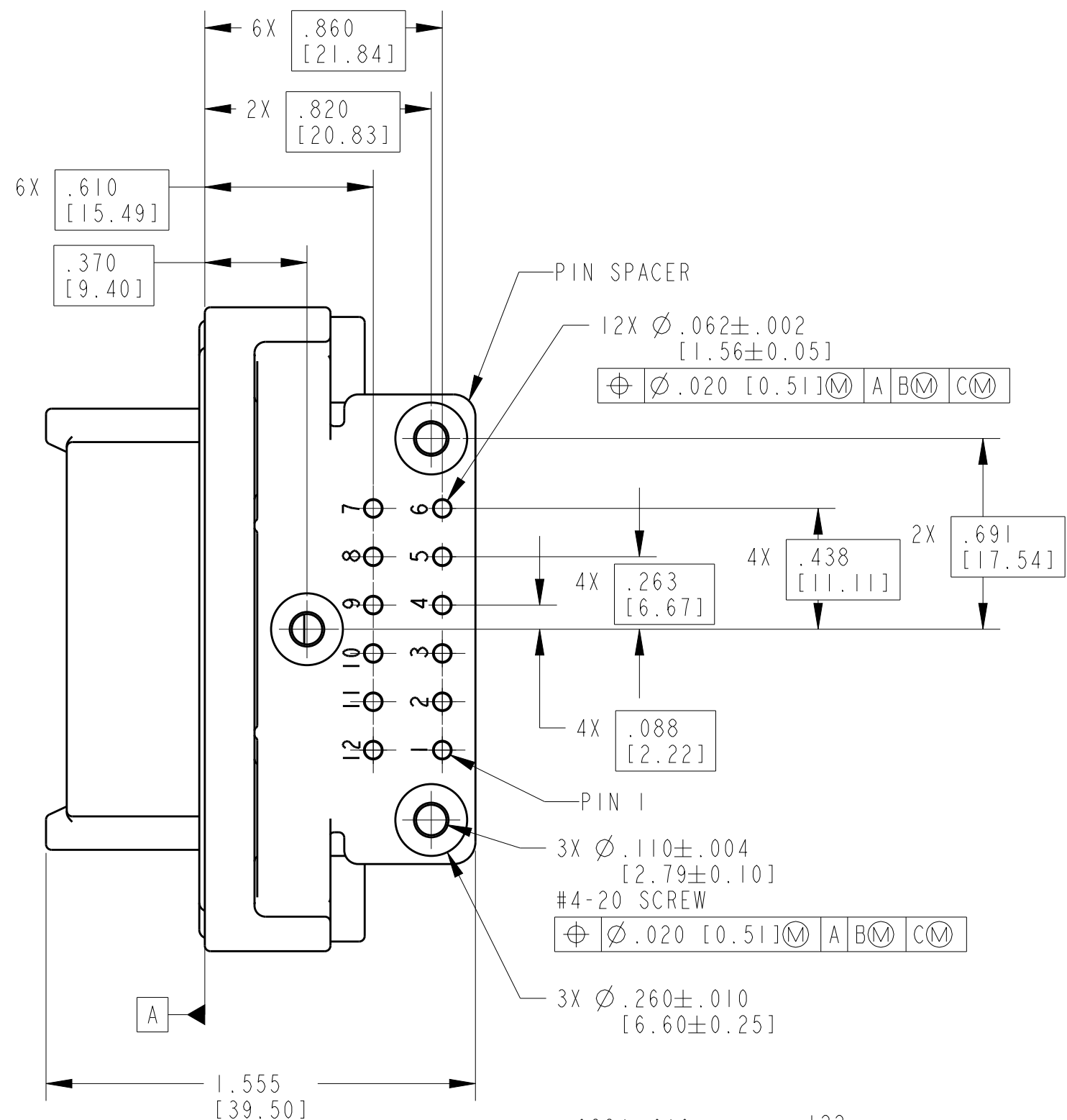
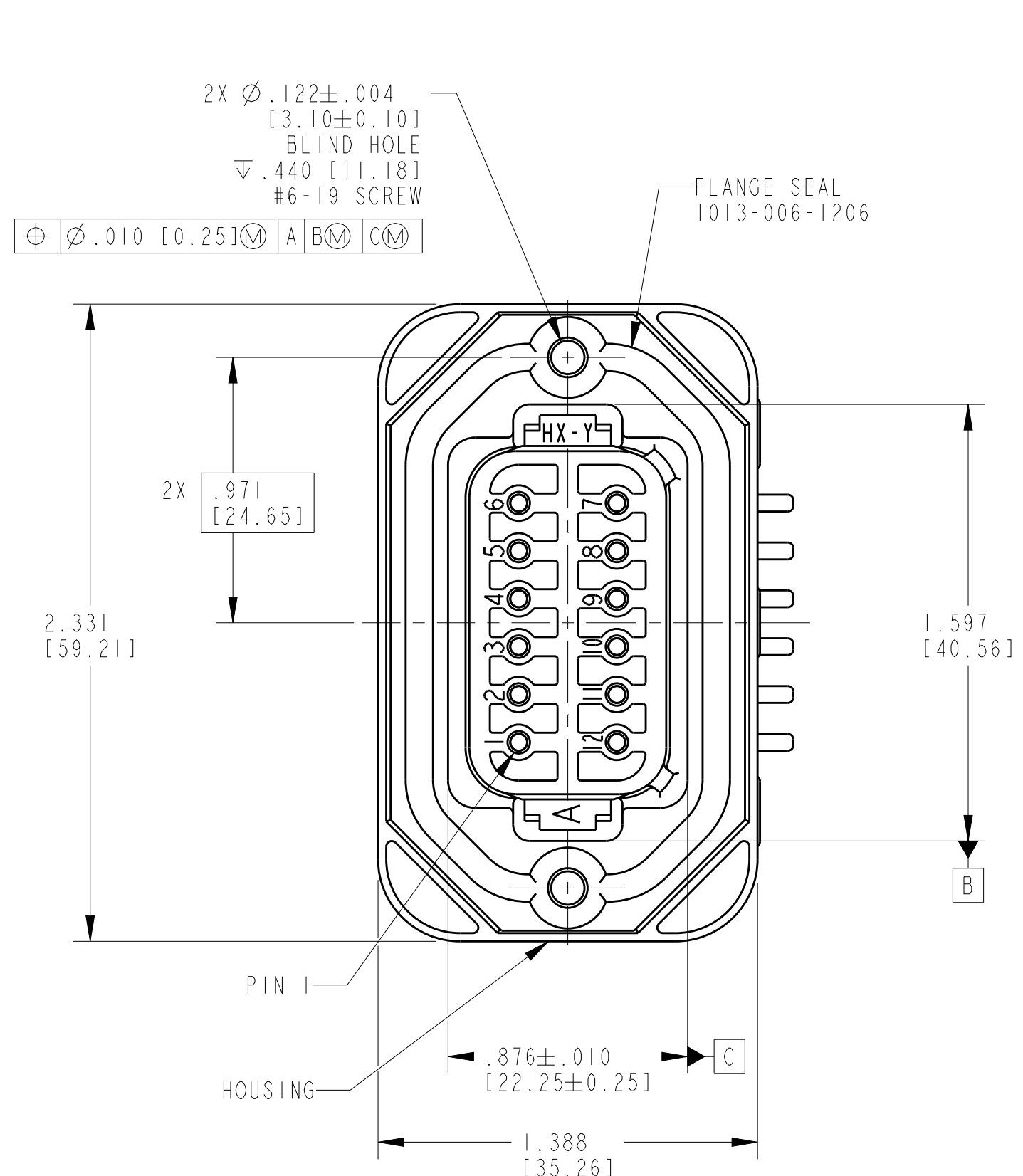
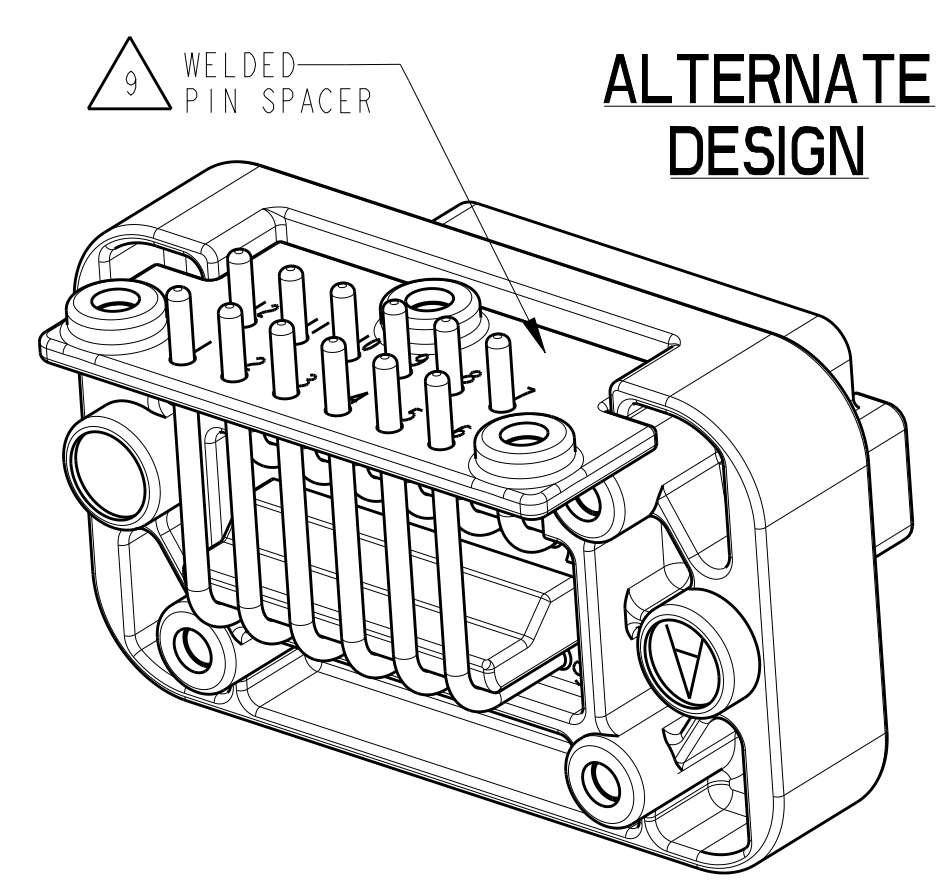
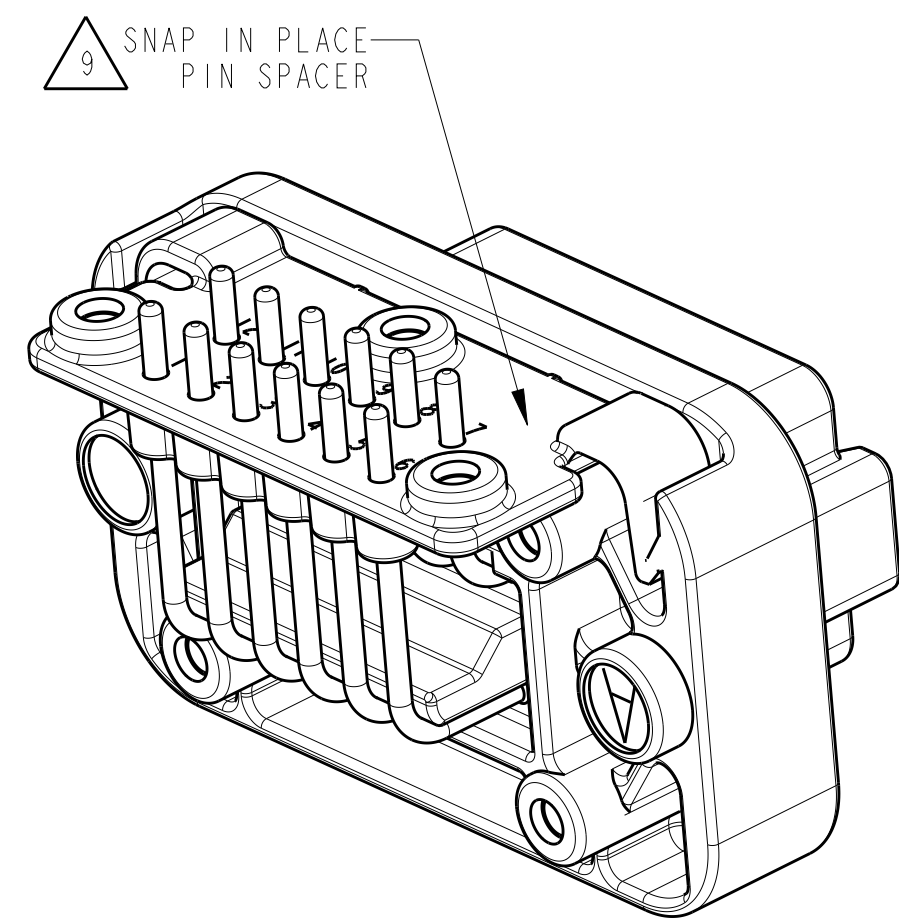


THIS DRAWING IS UNPUBLISHED. RELEASED FOR PUBLICATION 2017  
 © COPYRIGHT 2017 BY TE Connectivity ALL RIGHTS RESERVED.



REVISIONS				
P	LTR	DESCRIPTION	DATE	APVD
C3		REVISED PER ECO-16-009536	24JUN2016	JA DM
C4		REVISED PER ECO-16-011652	05AUG2016	JA DM
D		REVISED PER PCN E-17-013520	18JUL2017	KM DM
D1		REVISED PER PCN E-20-011899	20AUG2020	DB IG



9. ALTERNATE PIN SPACER DESIGN RELATED TO MOLDING TOOL.

8. MOUNTING SURFACE SPECIFICATIONS:  
 SURFACE FINISH: 32  $\mu$ m [0.81  $\mu$ m] Ra OR LESS  
 FLATNESS: .005 in/in [0.13 mm/mm] MAX

7. SEE SHEET 2 FOR RECOMMENDED PANEL CUTOUTS.

6. SEE SHEET 3 FOR OTHER KEY ARRANGEMENTS.

5. MOUNTING SCREW TORQUE VALUES ARE AS FOLLOWS:  
 #6-19 SCREWS: 11-13 in LB [1.24-1.46 N-m].  
 #4-20 SCREWS: 4-9 in LB [.451-1.01 N-m].  
 VALUES VALID FOR PLASTITE 48 SCREWS ONLY.

4. RECOMMENDED MOUNTING SCREWS (NOT INCLUDED): CAMCAR PLASTITE 48, SINGLE HELIX.

3. THIS RECEPTACLE MATES WITH DT06-12SX PLUG (X = A,B,C,D KEYS, XXXX = ALL MODIFICATIONS).

2. CONTACT PLATING - MATING SIDE: NICKEL; PCB SIDE: TIN

1. MATERIALS:  
 HOUSING & PIN ALIGNMENT PLATE: PA46 GF30 (SEE SHEET 3 FOR COLORS)  
 FLANGE SEAL: VMO (RED-ORANGE)  
 PIN CONTACTS: COPPER ALLOY

NOTES:

TE INTERNAL PN	DEUTSCH PN
DT13-12PA	DT13-12PA
DT13-12PB	DT13-12PB
DT13-12PC	DT13-12PC
DT13-12PD	DT13-12PD

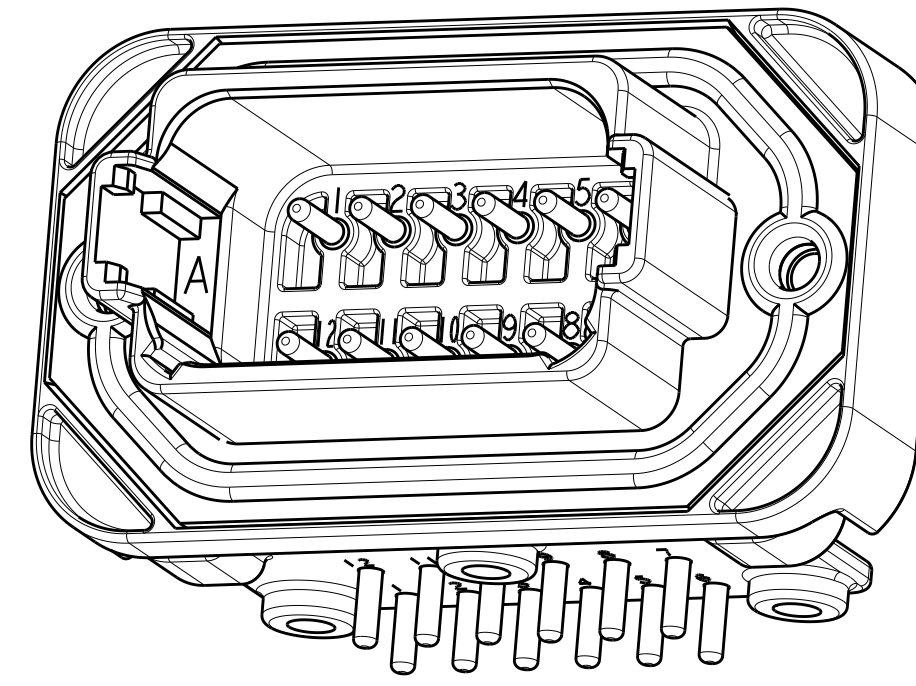
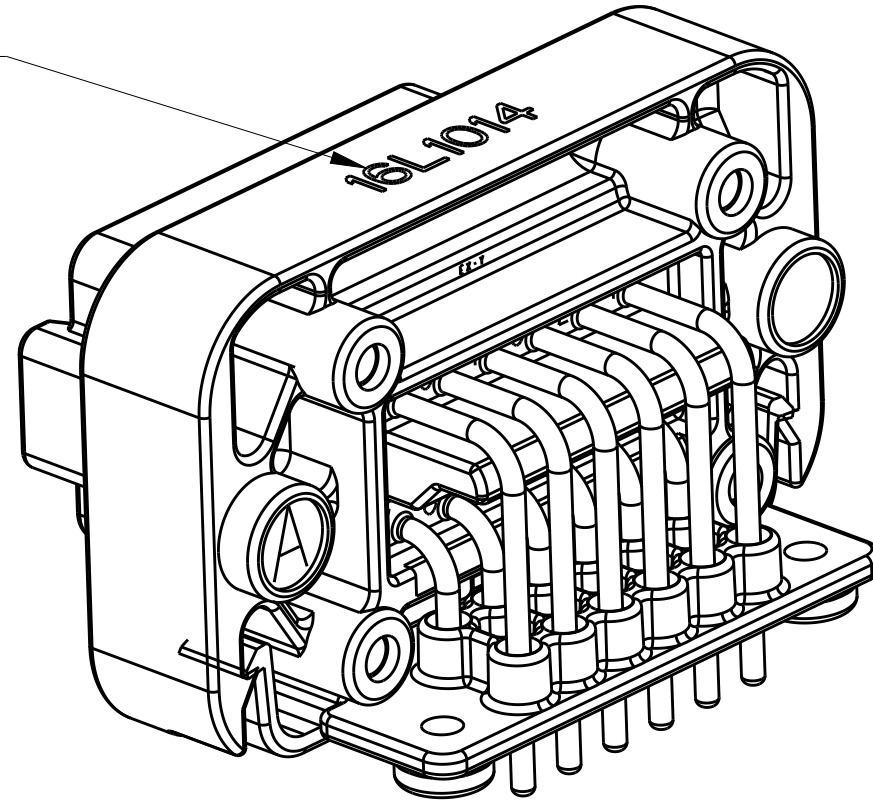
THIS DRAWING IS A CONTROLLED DOCUMENT.

DIMENSIONS: in [mm]	TOLERANCES UNLESS OTHERWISE SPECIFIED: 0 PLC ± 1 PLC ± 2 PLC ± 3 PLC ±.025 [0.64] 4 PLC ± ANGLES ±0°30'0"	DWN P. BURKE 06JUN2001 CHK K. MCKEE 03JUL2014 APVD D. MEYER 03JUL2014	NAME RECEPTACLE HEADER 12 PIN, 90 DEG DT SERIES
MATERIAL	FINISH	PRODUCT SPEC 108-151009 APPLICATION SPEC	SIZE CAGE CODE DRAWING NO RESTRICTED TO A2 4AFU8 C-DT13-12PX
CUSTOMER DRAWING		WEIGHT 59.8 (g)	SCALE 2:1 SHEET 1 OF 3 REV D1

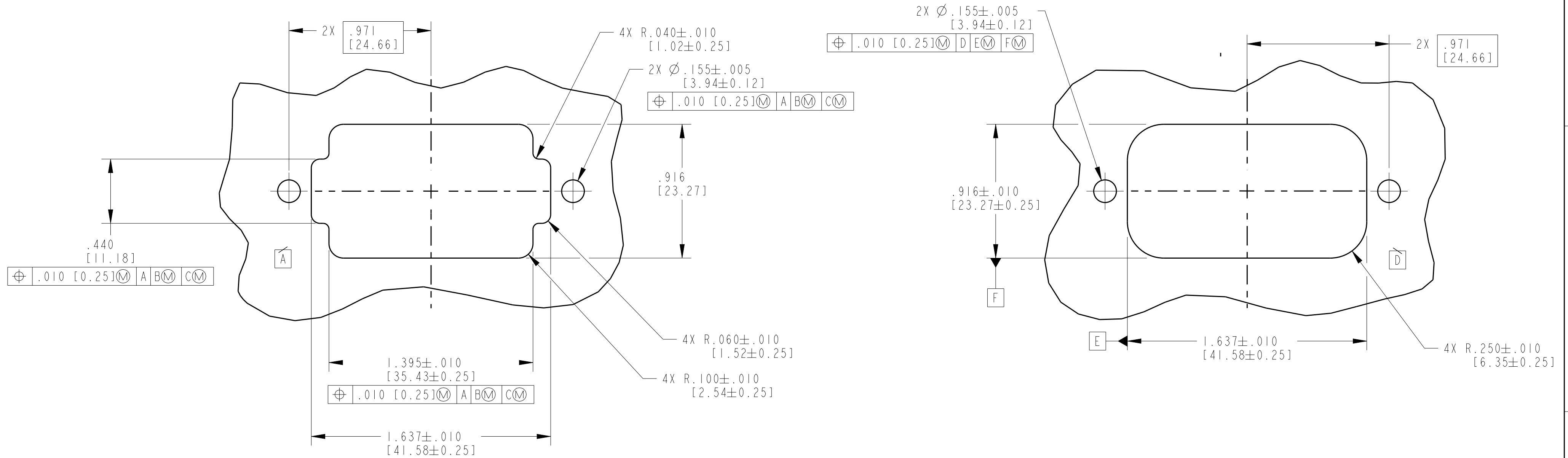
TE Connectivity

REVISIONS					
P	LTR	DESCRIPTION	DATE	DWN	APVD
ev_sym_1	16E6-8H6E11		rev.date	ev_dwnv_1	lappf_1
ev_sym_2	rev_desc_2		rev.date	ev_dwnv_2	lappf_2
ev_sym_3	rev_desc_3		rev.date	ev_dwnv_3	lappf_3
ev_sym_4	rev_desc_4		rev.date	ev_dwnv_4	lappf_4

7 DIGIT DATECODE  
 YEAR: FIRST AND SECOND DIGITS. (16 = 2016)  
 MONTH: THRID DIGIT, EXCLUDING 1. A = JAN.,  
 B = FEB., C = MARCH... (L = NOVEMBER)  
 DAY: FOURTH AND FIFTH DIGITS (10 = 10th DAY)  
 HOUR: SIXTH AND SEVENTH DIGITS (14 = 2-3PM)



3D VIEW

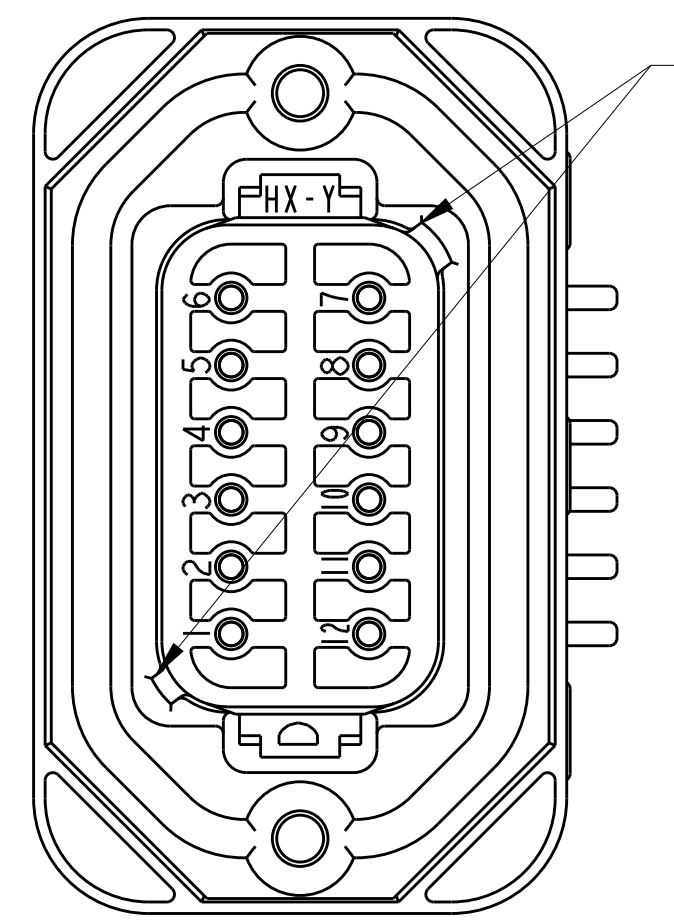
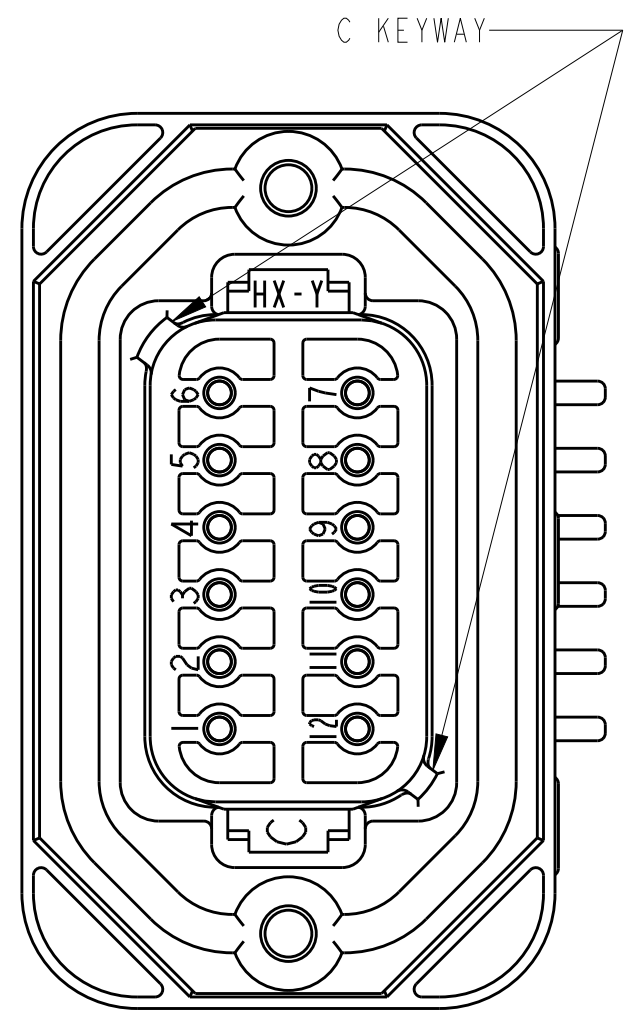
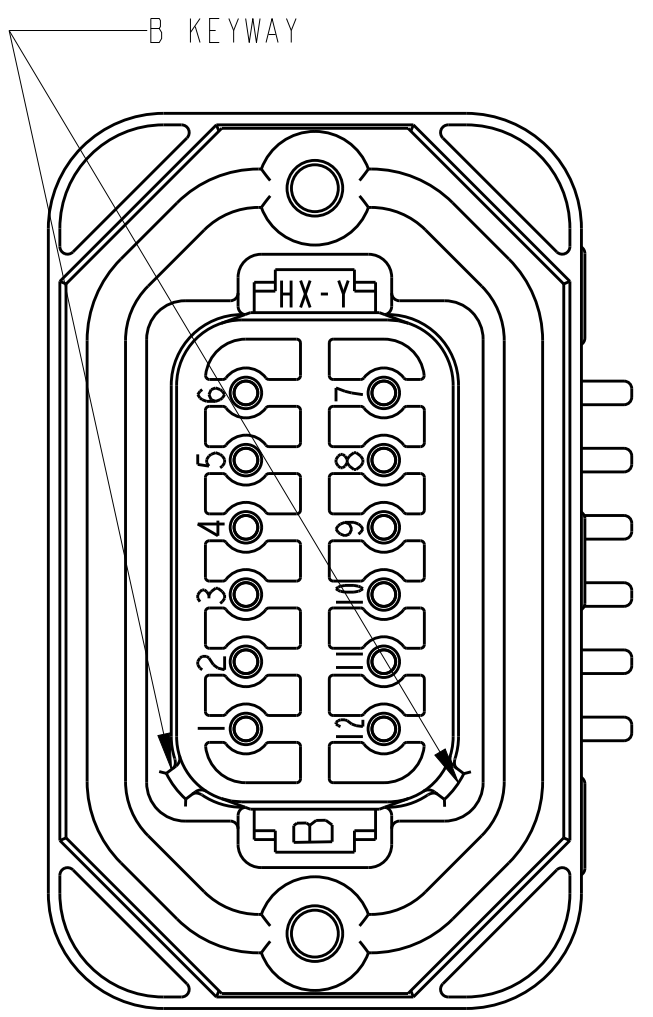
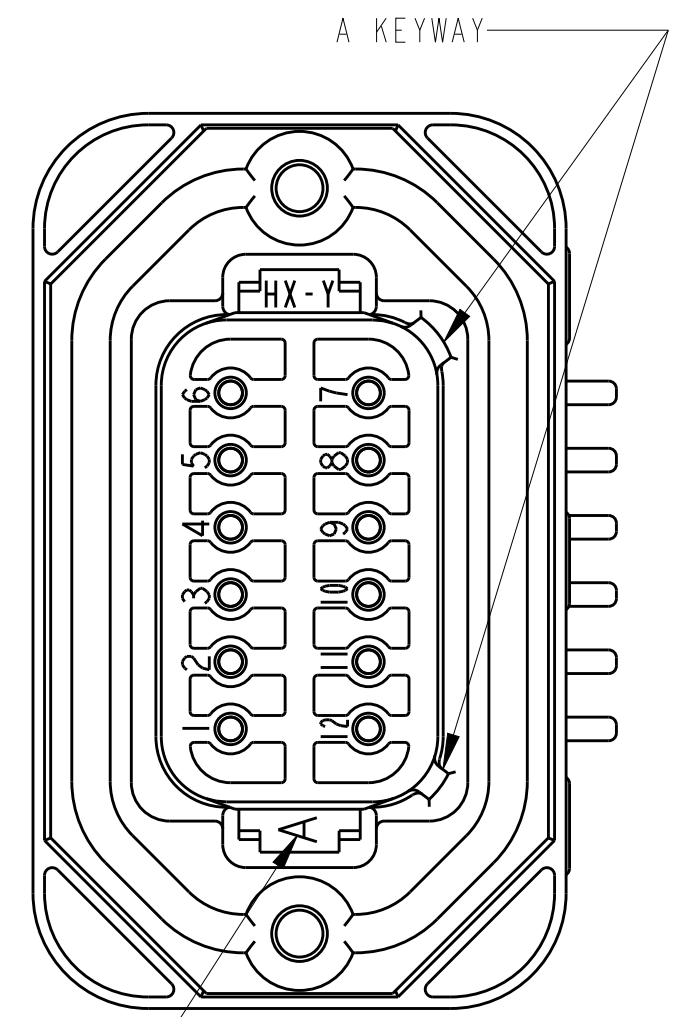


8 RECOMMENDED PANEL CUTOUTS

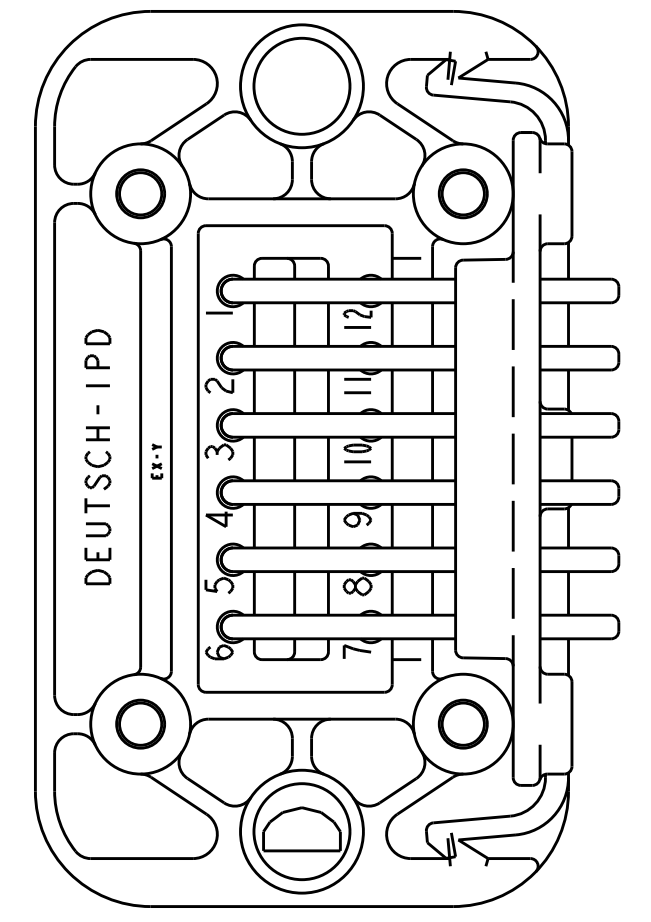
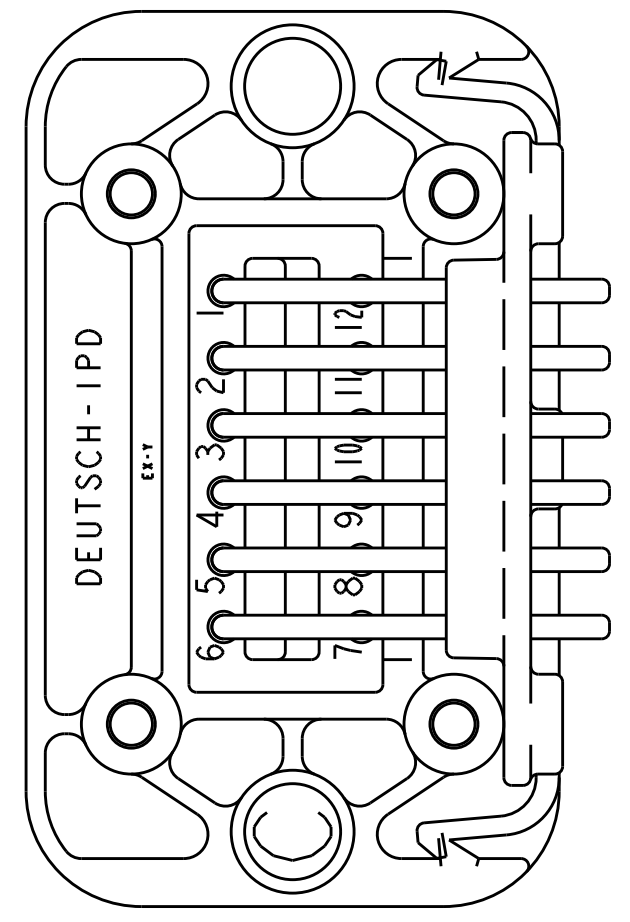
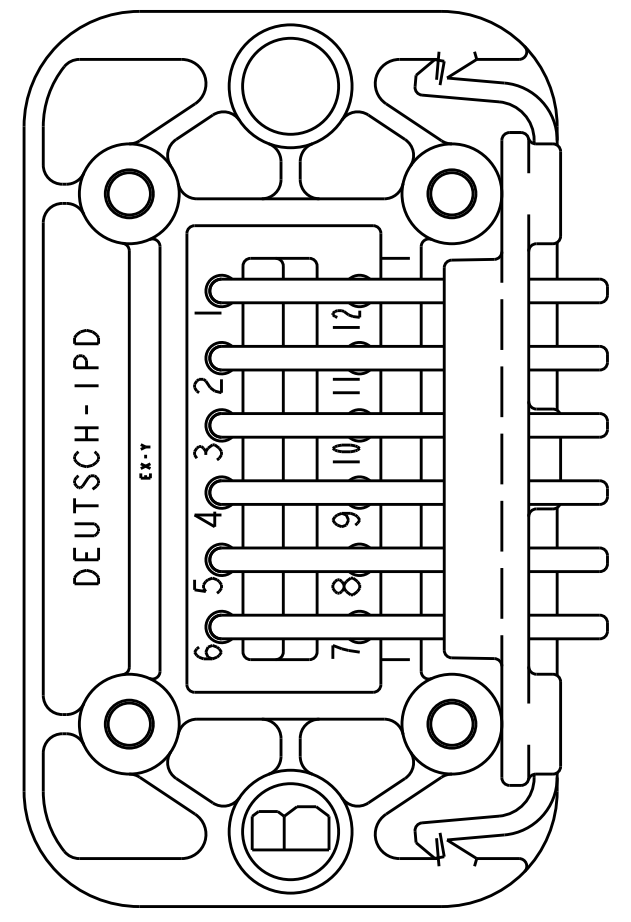
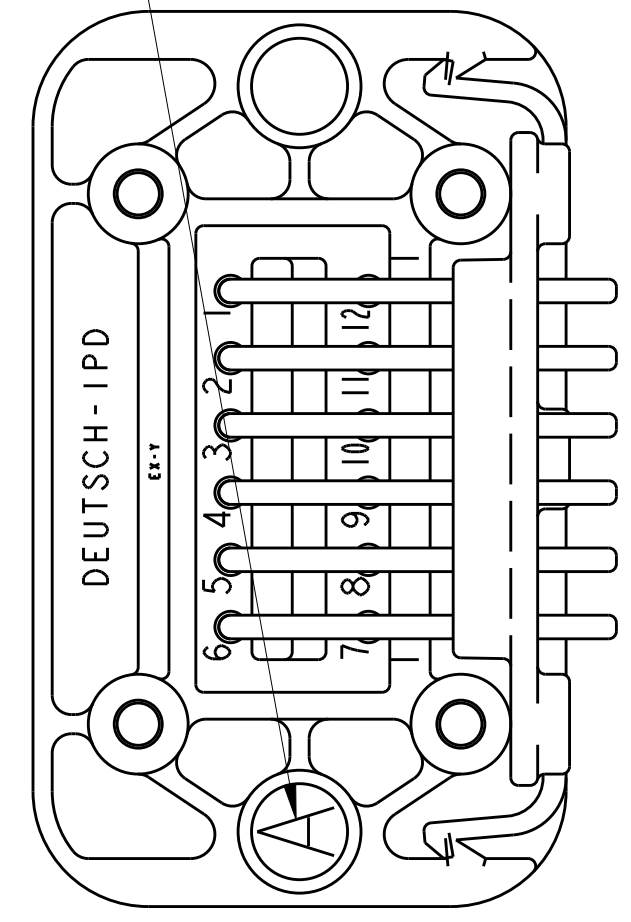
THIS DRAWING IS A CONTROLLED DOCUMENT.		DWN P. BURKE 06 JUN 2001	TE Connectivity		
DIMENSIONS: in [mm]		CHK K. MCKEE 03 JUL 2014			
TOLERANCES UNLESS OTHERWISE SPECIFIED:		APVD D. MEYER 03 JUL 2014	NAME RECEPTACLE HEADER 12 PIN, 90 DEG DT SERIES		
0 PLC ± 1 PLC ± 2 PLC ± 3 PLC ±.025 [0.64] 4 PLC ±		PRODUCT SPEC 108-151009	SIZE A2	CAGE CODE 4AFU8	DRAWING NO. DT13-12PX
MATERIAL 1		APPLICATION SPEC -	WEIGHT 59.8 (g)	RESTRICTED TO -	
ANGLES ±0°30'0"		FINISH -	CUSTOMER DRAWING		SCALE 2:1 SHEET 2 OF 3 REV D1

THIS DRAWING IS UNPUBLISHED. RELEASED FOR PUBLICATION 2017  
 © COPYRIGHT 2017 BY TE Connectivity ALL RIGHTS RESERVED.

REVISIONS				
P	LTR	DESCRIPTION	DATE	APVD
ev_sym_1	16EW-8HBEI11		rev.date	ev_sym_1
ev_sym_2	2 rev_desc_2		rev.date	ev_sym_2
ev_sym_3	3 rev_desc_3		rev.date	ev_sym_3
ev_sym_4	4 rev_desc_4		rev.date	ev_sym_4



KEYING ARRANGEMENT INDICATOR, TYP



DT13-12PA  
COLOR GREY

DT13-12PB  
COLOR BLACK

DT13-12PC  
COLOR GREEN

DT13-12PD  
COLOR BROWN

THIS DRAWING IS A CONTROLLED DOCUMENT.		DWN P. BURKE 06 JUN 2001	TE Connectivity
DIMENSIONS: in [mm]		CHK K. MCKEE 03 JUL 2014	
TOLERANCES UNLESS OTHERWISE SPECIFIED:		APVD D. MEYER 03 JUL 2014	
0 PLC ± 1 PLC ± 2 PLC ± 3 PLC ±.025 [0.64] 4 PLC ± ANGLES ±0°30'0" FINISH -		PRODUCT SPEC 108-151009 APPLICATION SPEC -	
MATERIAL		WEIGHT 59.8 (g)	NAME RECEPTACLE HEADER 12 PIN, 90 DEG DT SERIES SIZE CAGE CODE DRAWING NO A2 4AFU8 C-DT13-12PX RESTRICTED TO -
CUSTOMER DRAWING		SCALE 2:1	SHEET 3 OF 3 REV D1