



Contactor, 45DP,40A,1P,Open,480 Contactor, 45DP,40A,1P,Open,480

product brand name	Class 45 DP Contactors
design of the product	Non-reversing Definite Purpose Contactor
special product feature	Enclosed body and coil with standard cover
General technical data	
weight [lb]	0.58 lb
Height x Width x Depth [in]	3.19 × 1.97 × 2.46 in
touch protection against electrical shock	Not finger-safe
ambient temperature [°F]	
• during storage	158 °F
• during operation	158 ... 158 °F
ambient temperature	
• during storage	75 °C
• during operation	70 ... 70 °C
country of origin	China
number of poles for main current circuit	1
Contactors	
size of contactor	40A
number of NO contacts for main contacts	1
operating voltage for main current circuit at AC at 60 Hz maximum	600 V
mechanical service life (operating cycles) of the main contacts typical	250000
Auxiliary contact	
number of NC contacts for auxiliary contacts	0
number of NO contacts for auxiliary contacts	0
number of NC contacts at contactor for auxiliary contacts	0
number of NO contacts at contactor for auxiliary contacts	0
number of total auxiliary contacts maximum	0
Coil	
control supply voltage	
• at AC at 50 Hz rated value	380 ... 440 V
• at AC at 60 Hz rated value	440 ... 480 V
Enclosure	
degree of protection NEMA rating of the enclosure	Open device (no enclosure)
Mounting/wiring	
mounting position	vertical
fastening method	Surface mounting and installation
type of electrical connection for supply voltage line-side	Box lug
tightening torque [lbf-in] for supply	25 ... 25 lbf-in
type of connectable conductor cross-sections at line-side for AWG cables single or multi-stranded	4 AWG

type of electrical connection for load-side outgoing feeder	Box lug
type of connectable conductor cross-sections for AWG cables for load-side outgoing feeder single or multi-stranded	4 AWG
type of electrical connection of magnet coil	Quick connects
type of electrical connection at contactor for auxiliary contacts	Screw-type terminals
Certificates/ approvals	
certificate of suitability	cRUus, ARI 780 & 790, UL File E14900
Further information	

Industrial Controls - Product Overview (Catalogs, Brochures,...)

www.usa.siemens.com/iccatalog

Industry Mall (Online ordering system)

<https://mall.industry.siemens.com/mall/en/us/Catalog/product?mfb=US2:45GG10AHA>

Service&Support (Manuals, Certificates, Characteristics, FAQs,...)

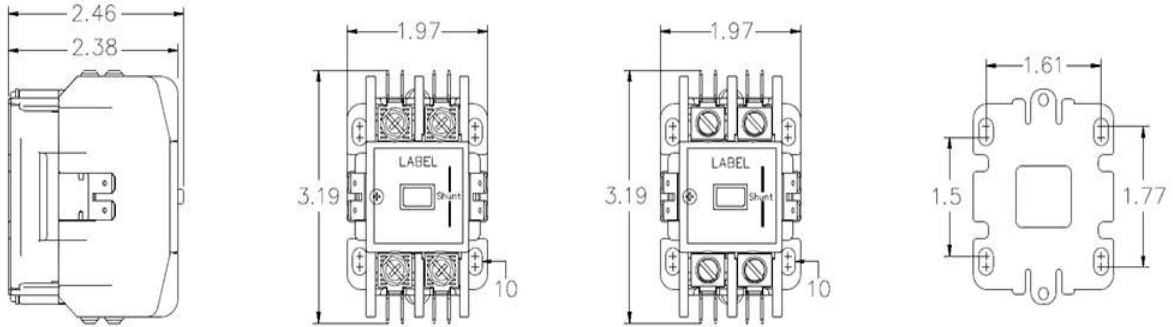
<https://support.industry.siemens.com/cs/US/en/ps/US2:45GG10AHA>

Image database (product images, 2D dimension drawings, 3D models, device circuit diagrams, EPLAN macros, ...)

http://www.automation.siemens.com/bilddb/cax_de.aspx?mfb=US2:45GG10AHA&lang=en

Certificates/approvals

<https://support.industry.siemens.com/cs/US/en/ps/US2:45GG10AHA/certificate>



last modified:

5/25/2021