

PRODUCT NUMBER

76382-YXXLF

RoHS COMPATIBLE, SEE NOTE 7

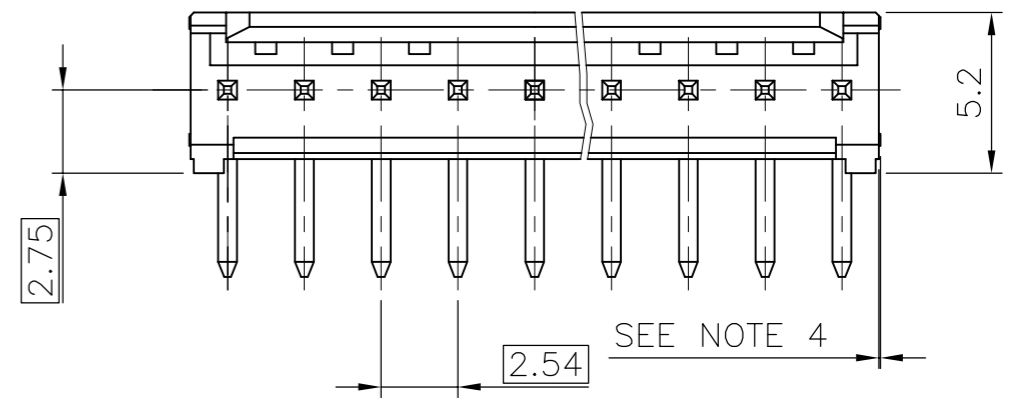
PLATING

3=0.76µm GOLD/GXT ON CONTACT AREA
2µm MIN MATTE TIN ON TAIL
1.27µm Ni MIN UNDERPLATING

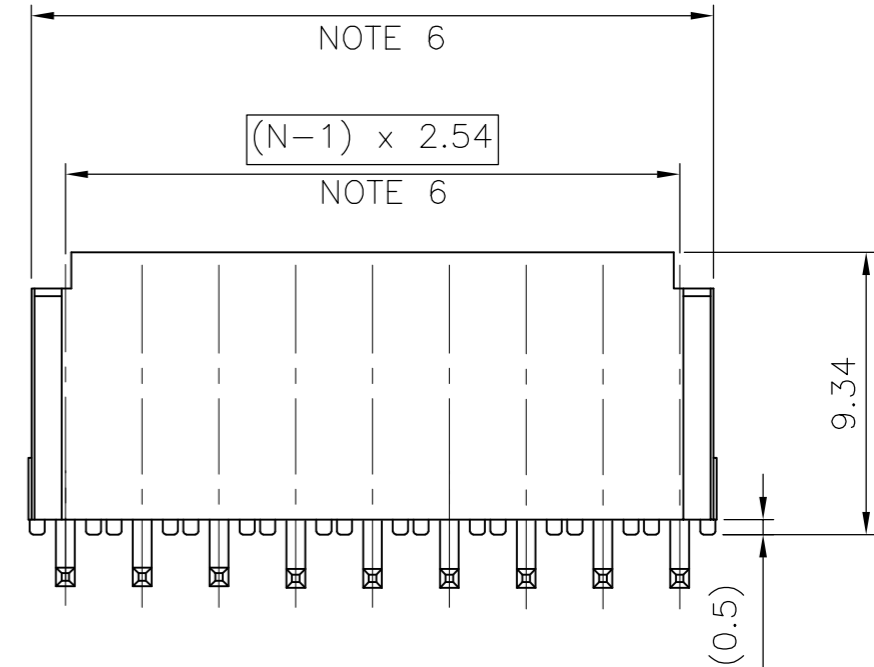
4=2µm MIN MATTE TIN FULL PLATED
1.27µm Ni MIN UNDERPLATING

NUMBER OF POSITIONS : 02 TO 36

TOP VIEW



$((N-1) \times 2.54) + 2.36$



NOTES:

1. BODY MATERIAL: POLYESTER 30% GLASSFILLED COLOR BLUE, FLAME RETARDANT PER UL-94 V0.
2. CONTACT MATERIAL: PHOSPHOR BRONZE.
3. 15N MIN PIN RETENTION IN EITHER DIRECTION
4. 0.6 MAX PROTRUSION PERMITTED AT 4 PLACES
5. PACKAGING :
- POLYBAGS FROM 02 TO 06 POSITIONS
- TUBE FROM 07 TO 36 POSITIONS
6. TO DETERMINE DIMENSIONS :
N = NUMBER OF POSITIONS PER ROW
EXAMPLE : 8 POS $N \times 2.54 = 20.32\text{mm}$
7. RoHS COMPATIBLE PRODUCT SPECIFICATIONS

a - PLATING:

- "LF" MEANS THE PRODUCT IS LEAD-FREE,
2µm MINIMUM MATTE TIN OVER 1.27µm
MINIMUM NICKEL UNDERPLATE.

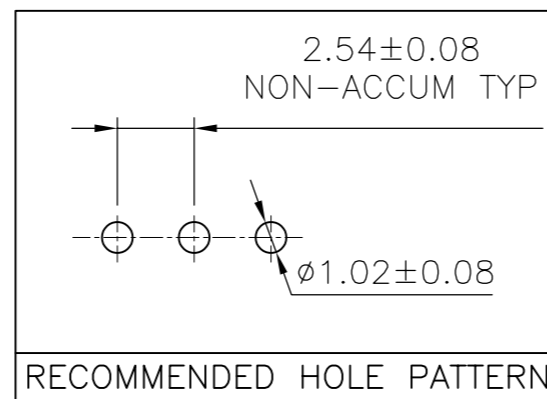
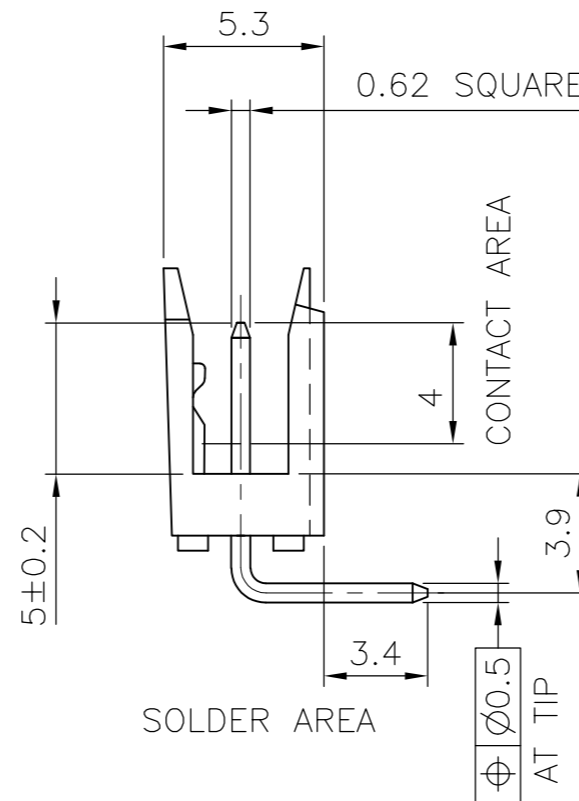
b - MANUFACTURING PROCESS COMPATIBILITY

- THE HOUSING WILL WITHSTAND EXPOSURE TO
245°C ±5°C SOLDER BATH TEMPERATURE FOR
5 SECONDS IN A WAVE SOLDER APPLICATION
WITH A 1.6mm MIN THICK CIRCUIT BOARD.

c - LABELING:

- MEETS PACKAGING SPECS AS PER GS-14-920

d - LEGAL STATEMENT: SEE GS-47-0004



mat'l. code		surface		tolerance		projection		product family	
SEE NOTE		ISO 1302 ✓		ISO 406 ISO 1101		mm		DUBOX	
ltr	ecn no	dr	date	tolerances unless otherwise specified		mm		title	
S	F-21810	AMA	15.06.19	angles	.X ±0.3	scale 5:1		SHR. HEADER	
T	F-42440	DDE	22.10.05	linear	.XX ±0.15			RA SR TMT	
					.XXX ±0.05				
M	F05-0244	JCO	05.09.06	dr	D.LE	01.01.24	dwg no		sheet 1 of 1
N	F06-0228	LMU	06.07.11	enrg	JM.C	01.01.24	76382		A3
P	F08-0147	YOV	08.04.14	chr	JM.C	01.01.24	type		CUSTOMER Drawing
R	B-19285	AMA	14.11.03	appd	JF.N	01.01.24			
sheet index	revision sheet								



Copyright FCJ

A

B

C

D

A

B

C

D