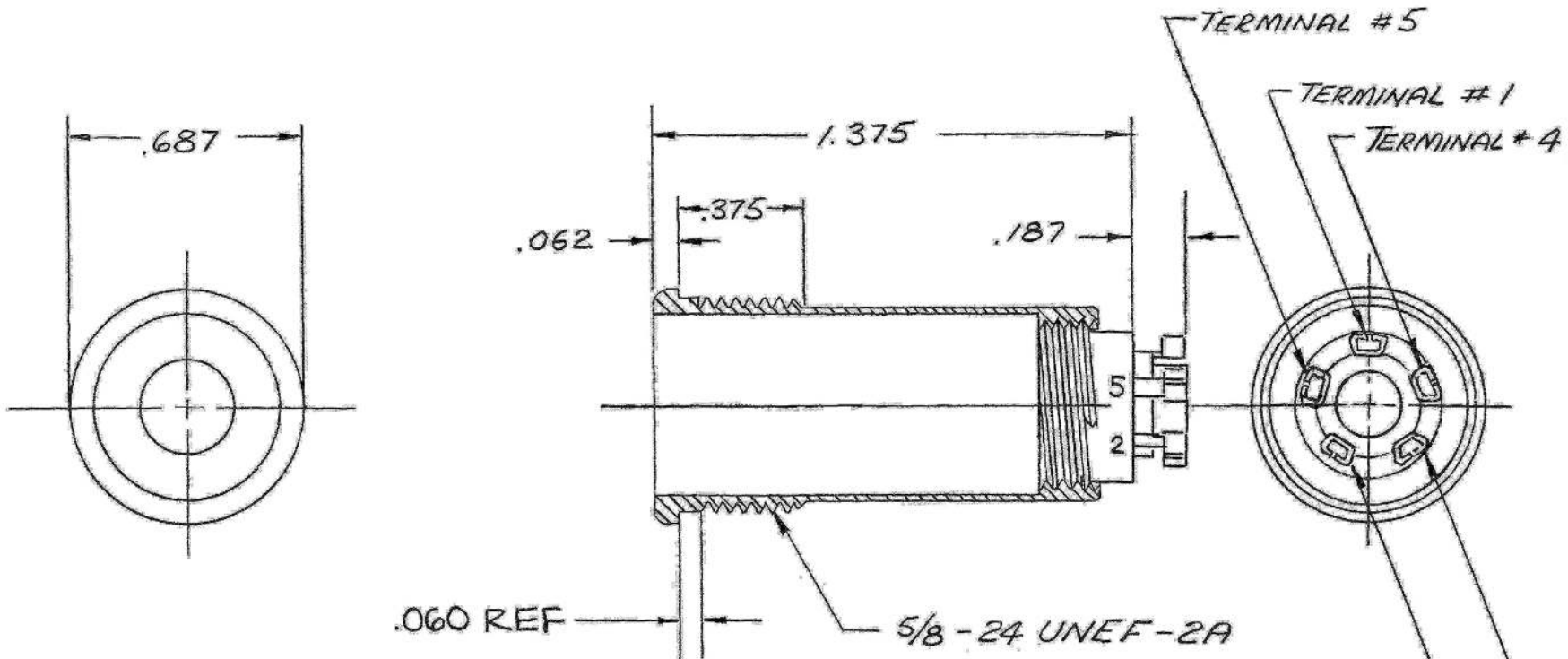


**A** TJT-105



**NOTES:**

1. THIS PART MATES WITH U-384/U TELEPHONE PLUG
2. THIS PART WITHOUT HARDWARE WEIGHS 12 GRAMS MAX
3. SHELL MATERIAL ALUMINUM TYPE 2011-T3, FINISH RED ANODIZED.

DWN. BY <i>RW7.</i>		DATE <i>4/14/76</i>		MATERIAL	
CHECKED BY				FINISH	
APPR. BY				WEIGHT	SCALE
				TITLE	
				<i>PHONE JACK ASS'Y FIVE CONDUCTOR</i>	
				DO NOT SCALE DWG. SHEET OF	
UNLESS OTHERWISE SPECIFIED				<p><b>NEXUS</b> STAMFORD, CONN.</p>	
DIMENSIONS ARE IN INCHES					
TOLERANCES ON				SIZE	DWG. NO.
FRACTIONS DECIMALS ANGLES				<b>A</b>	<i>TJT-105</i>
$\pm .015$					

<b>B</b>	1) NOTE WAS "FULL THREAD TO WITHIN .060"	<i>12/5/90</i>	
<b>A</b>	<i>REVISED</i>	<i>6/1/78</i>	<i>RW7</i>
LET.	REVISION	DATE	CHK.