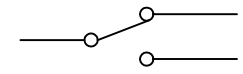
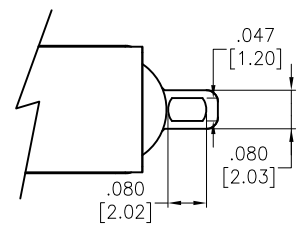
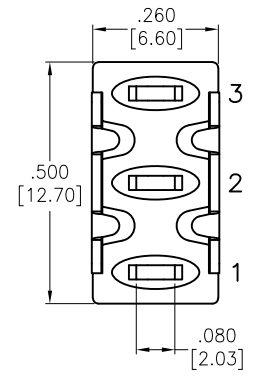
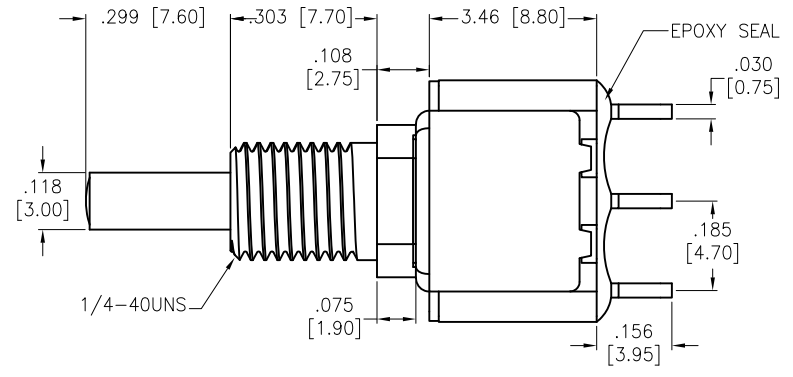
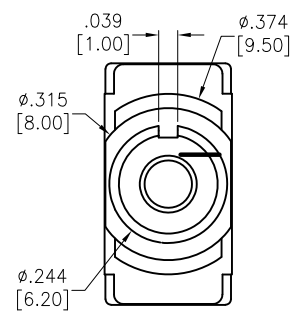


Rev	AWO #	Description	Date	Appr
-		RELEASED	3/4/21	

APPROVED: \_\_\_\_\_  
 DATE: \_\_\_\_\_ TITLE: \_\_\_\_\_



CIRCUIT DIAGRAM  
(SPDT) ON-ON

SPECIFICATIONS:

Material:  
 Movable Contact: Copper Alloy, Silver Plated  
 Terminal: Copper Alloy, Silver Plated  
 Electrical:  
 Rating:  
 6 Amps with resistive load @ 125VAC or 28VDC  
 3 Amps with resistive load @ 250VAC  
 Contact resistance: 10 mΩ max  
 Insulation resistance: 1,000 Mohms min  
 Dielectric strength: 1,500V RMS @ sea level  
 Temperature Rating:  
 Operating temperature: -30°C to +85°C  
 Environmental:  
 Lead free, RoHS compliant



UNLESS OTHERWISE SPECIFIED ALL DIMENSIONS ARE INCHES [MM] TOLERANCES: EXCEPT AS NOTED		
INCHES		HOLES
.X ± .10	Ø.X ± .10	
.XX ± .020	Ø.XX ± .015	
.XXX ± .015	Ø.XXX ± .010	
APPROVALS		DATE
DRAWN	WX	3/4/21
CHECKED	AC	3/4/21
APPROVED		

**ADAM TECH** 909 Rahway Avenue,  
 Union, NJ 07083  
 Phone: 908-687-5000  
 Fax: 908-687-5710

TITLE: PUSHBUTTON SWITCH, SPDT ON - ON  
 SILVER PLATED, SOLDER TYPE

SIZE X	PART NO. SW-PB8-AA00A1QE-3	REV. -
REF: S00198T	SCALE: NTS	SHEET 1 OF 1

6 5 4 3 2 1

6 5 4 3 2 1

D

D

C

C

B

B

A

A