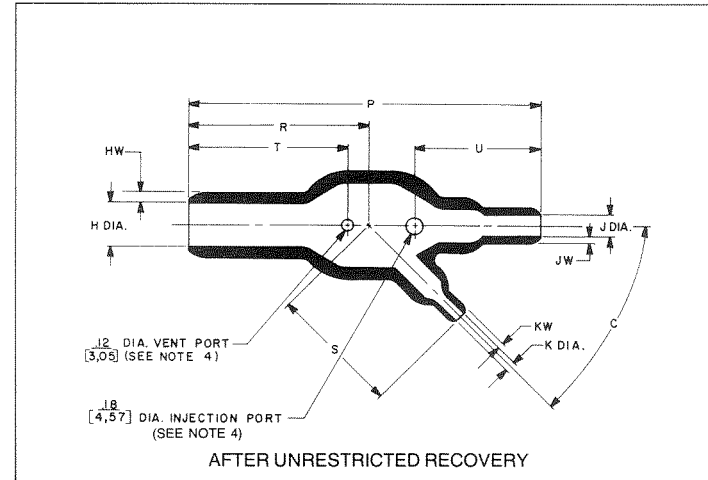
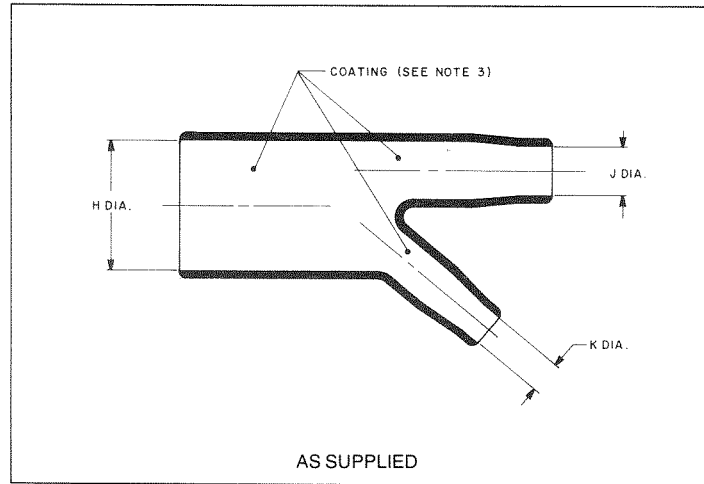


Thermofit® Molded Parts Specification Control Drawing

Part Number: 343A014 & 027
Description: Transition, 45°

Notes:

1. All dimensions are in $\frac{\text{Inches}}{[\text{Millimeters}]}$; $\frac{\text{lbs}}{[\text{gms}]}$
2. Dimensions appearing in table are as follows:
a - as supplied
b - after unrestricted recovery
3. Coating is optional. As supplied dimensions appearing in table are for uncoated parts. When coating is added, entry diameters will be reduced by .06 max.
4. Molding ports are optional. When -00 modification number is specified molding ports will be located as shown.
5. Weight shown in table of dimensions is based on polyolefin part.



Part Number	H		J		K		P	R	S	T	U	HW	JW	KW	C		Weight
	Min a	Max b	Min a	Max b	Min a	Max b									± 10° a	± 5° b	
							± 10% b	± 10% b	± 10% b	Ref b	Ref b	± 20% b	± 20% b	± 20% b			± 10% b
343A014	1.06 [26,9]	.49 [12,4]	.52 [13,2]	.24 [6,1]	.26 [6,6]	.12 [3,0]	3.16 [80,3]	1.62 [41,1]	1.18 [30,0]	1.17 [29,7]	.97 [24,6]	.10 [2,54]	.06 [1,52]	.04 [1,02]	40	45	.027 [12,2]
343A027	2.19 [55,6]	1.00 [25,4]	1.06 [26,9]	.49 [12,4]	.52 [13,2]	.24 [6,1]	6.38 [162,1]	3.28 [83,3]	2.36 [59,9]	2.44 [62,0]	1.98 [50,3]	.18 [4,57]	.10 [2,54]	.06 [1,52]	40	45	.205 [93,0]

**If this document is printed it becomes uncontrolled.
Check for the latest revision.**

Thermofit[®] Molded Parts Specification Control Drawing

Part Number: 343A014 & 027
Description: Transition, 45°

Compatibility Chart

Material Dash No.	Material Description	RT Spec	Coating Slash No.	Coating S No.	Coating Description
- 3	Polyolefin, Semi-Rigid	RT-301	/42	S-1017	Adhesive
- 4	Polyolefin, Flexible	RT-1304	/42	S-1017	Adhesive
- 5	Neoprene	RT-501	/42	S-1017	Adhesive
- 6	Silicone, Flame Retarded	RT-602			
- 25	Elastomer, Fluid Resistant	RT-1325			

If this document is printed it becomes uncontrolled.
Check for the latest revision.

Ordering Information:

343A0XX — XX — XX / XX

Base part number _____

Material dash number _____
(see compatibility chart)

Modification number _____
(if necessary, see front of SCD binder
for a complete modification list)

Adhesive slash number _____
(if necessary, see compatibility chart)

This drawing is subject to change without notice; consult your nearest field representative for current revision.

Raychem

Raychem Corporation
300 Constitution Drive
Menlo Park, California 94025
415) 361 6055

Revision: **D**
Date: **3-19-85**

Part Number: 343A014 & 027
Description: Transition, 45°