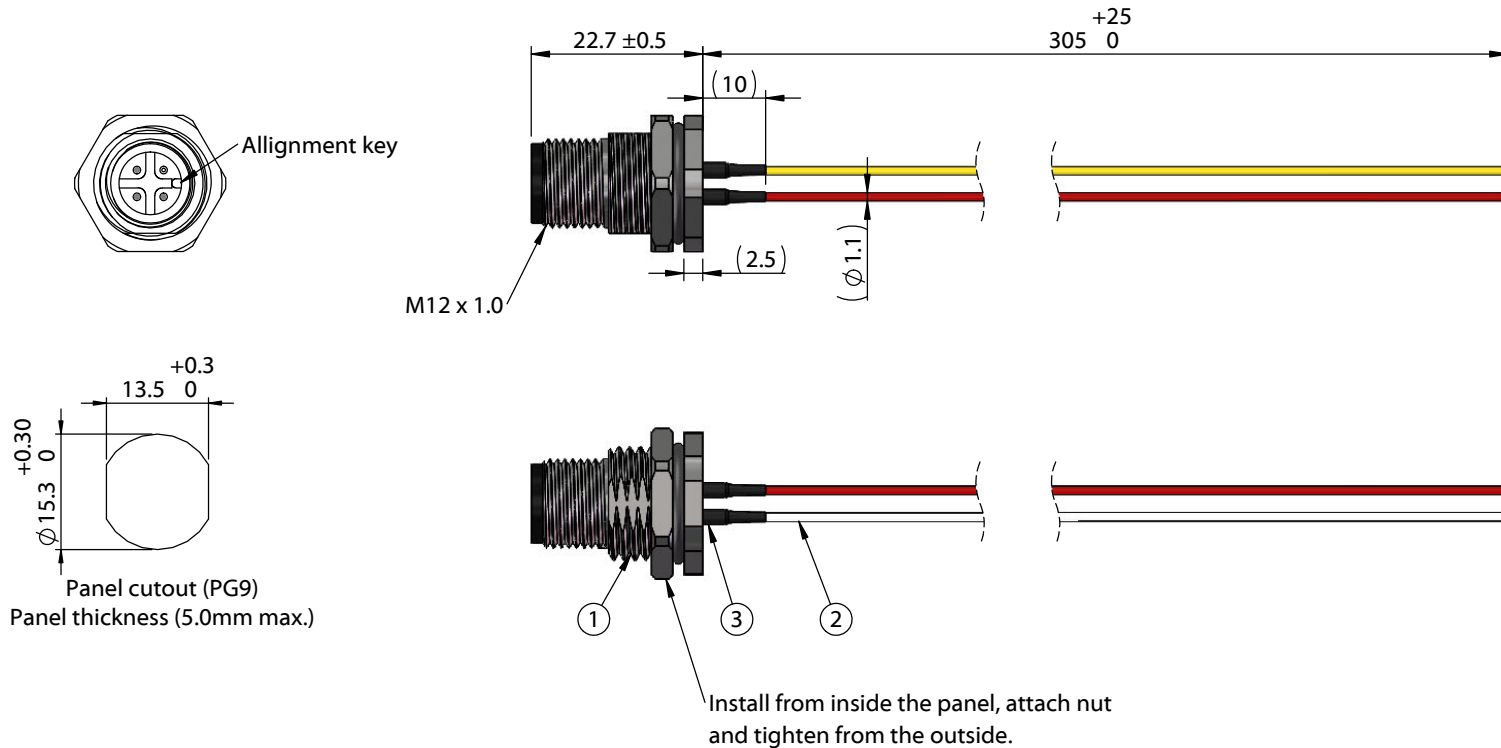


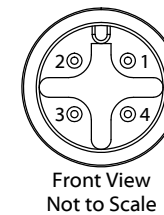
ITEM NO.	PART NUMBER	DESCRIPTION	QTY.	COMPONENT NOTES
1	54-00195	Connector, 4 pin M12 A-code plug, 12xL24mm, gold plated, panel mount, solder cup, IP67	1	nut and o-ring included
2	Wire	Wire, hook-up, TS, 24 AWG, UL 11028, 600V, 105C, 1.1 mm, mPPE	4	color: red, yellow, black, white
3	Heat shrink	Heat shrink, UL, black	4	covers solder joints



Notes:
 Cable rated for 250 V, 4 A
 Temperature: -40 ~ 105 °C

IP67 waterproof rating when mated with corresponding (IP67) connector and installed properly in panel

Cables individually packaged in PE bag
 Functionally equivalent components may be substituted



Wiring Diagram	
54-00195	wire color (P/N)
1	red (30-01762)
2	yellow (30-01765)
3	black (30-01763)
4	white (30-01764)

Revision:	Date:	Description:	Prepared:	Notes:	<h1>TENSILITY</h1> tel 1.541.323.3228 800 877.670.7118 fax 1.541.323.4202 web tensility.com
A	11/7/2022	Initial release	PB <small>Digitally signed by PB Date: 2022.12.01 08:37:34 -08'00'</small>		
			Verified:	Function test: no open, no short circuit, no intermittent	
			MP <small>Digitally signed by MP Date: 2022.12.01 09:56:53 -08'00'</small>	Description:	Size: Part number:
			Dimensions are in millimeters. Tolerances: X: ± 0.5 mm X.X: ± 0.3 mm X.XX: ± 0.05 mm	Cable, 305 mm, M12 4C plug panel mount 54-00195 to blunt cut, 24 AWG, UL 11028 hook-up wire	A 10-05265
					Scale: 1:1 Sheet 1 of 1

5

4

3

2

1