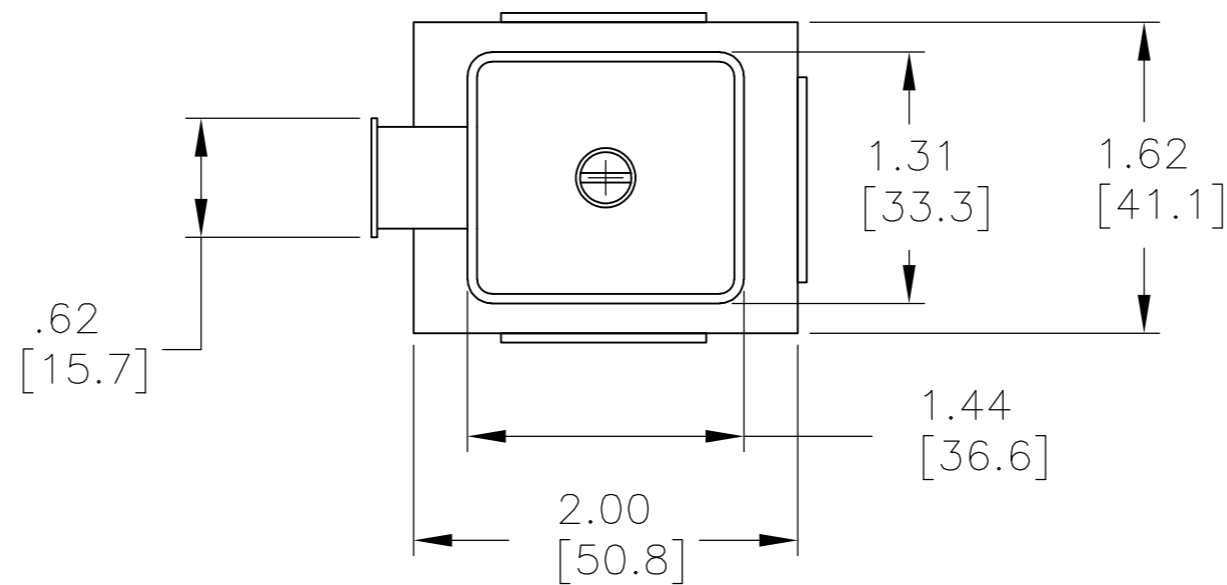
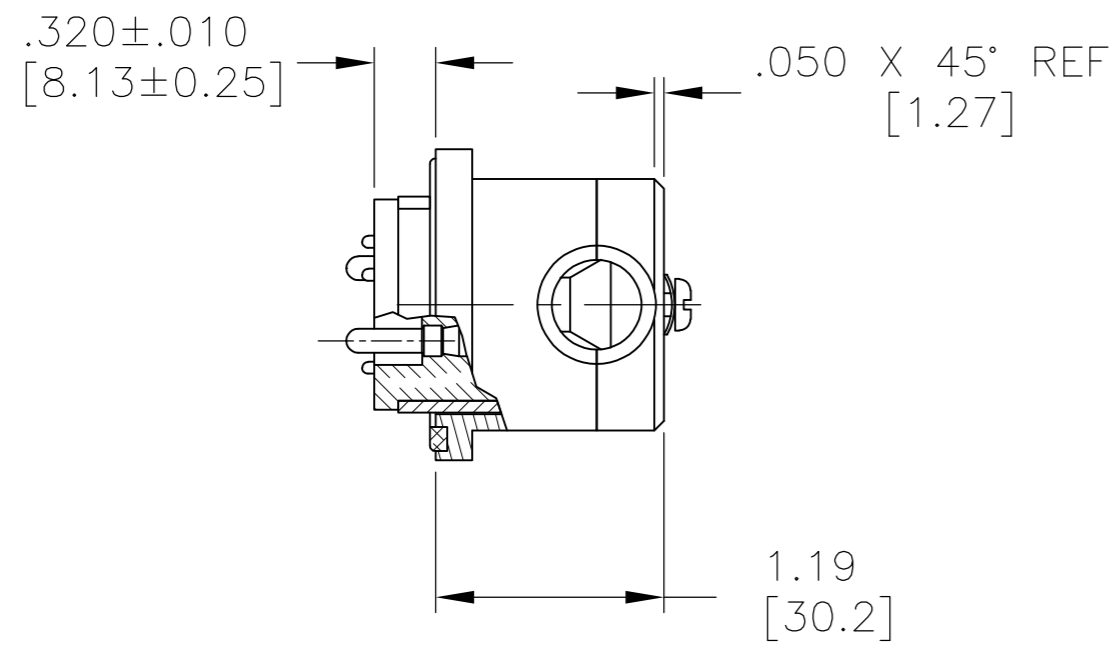
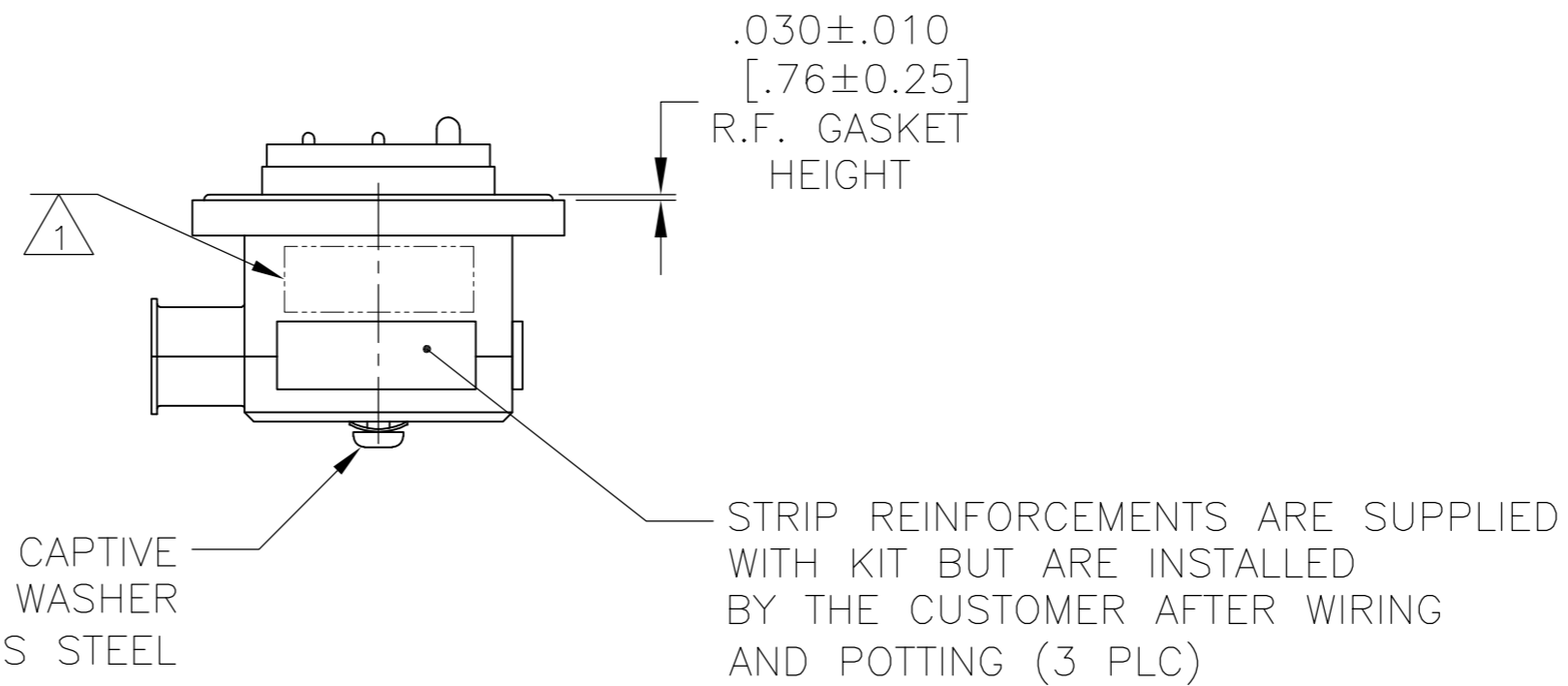
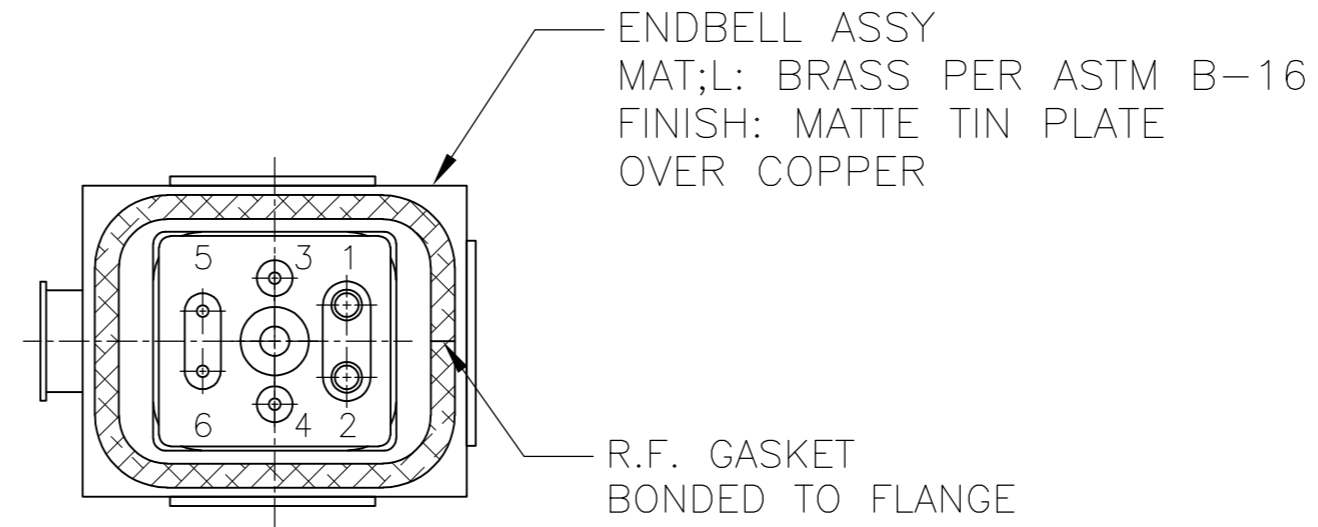


THIS DRAWING IS UNPUBLISHED. RELEASED FOR PUBLICATION
 © COPYRIGHT - By - ALL RIGHTS RESERVED.

| REVISIONS | | | | |
|-----------|-----|-----------------------|---------|-------|
| P | LTR | DESCRIPTION | DATE | APVD |
| J | | REV PER ECO-16-001441 | 29FEB16 | KG DE |

- 1. TE INFO MARKED PER MIL-STD-130.
- 2. MATES WITH 858059-2.



| | | |
|----------|--|----------|
| | 85/15 FLOUROSILICONE/SILICONE MOLDING COMPOUND | 861684-2 |
| OBSOLETE | SILICONE RUBBER MLDG. CMPD. | 861684-1 |
| | MOLDED PLUG MATERIAL | PART NO. |

| | | | | |
|--|--|-----------------------|--------------------------------|---------------|
| THIS DRAWING IS A CONTROLLED DOCUMENT. | | DWN C.C.THOMAS 6-4-09 | TE TE Connectivity | |
| DIMENSIONS: INCHES | | CHK D.EABY 6-4-09 | | |
| TOLERANCES UNLESS OTHERWISE SPECIFIED: | | APVD D.EABY 6-4-09 | NAME PLUG AND ENDBELL ASSY,LGH | |
| 0 PLC ± - | | PRODUCT SPEC | - | |
| 1 PLC ± - | | APPLICATION SPEC | - | |
| 2 PLC ± .03 [0.8] | | | SIZE | CAGE CODE |
| 3 PLC ± - | | | A2 | 00779 |
| 4 PLC ± - | | | DRAWING NO | RESTRICTED TO |
| ANGLES ± - | | WEIGHT 0 | C=861684 | - |
| FINISH SEE CALLOUTS | | CUSTOMER DRAWING | SCALE 1:1 | SHEET 1 of 1 |
| MATERIAL SEE CALLOUTS | | | REV J | |