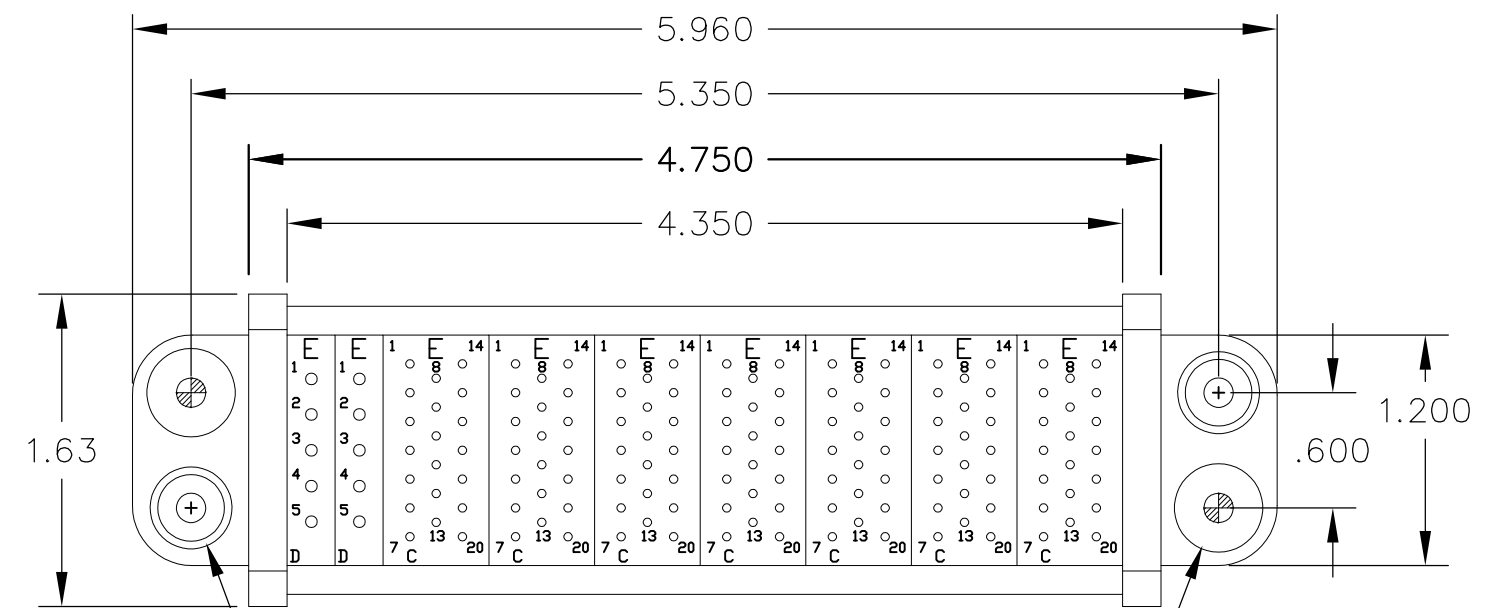


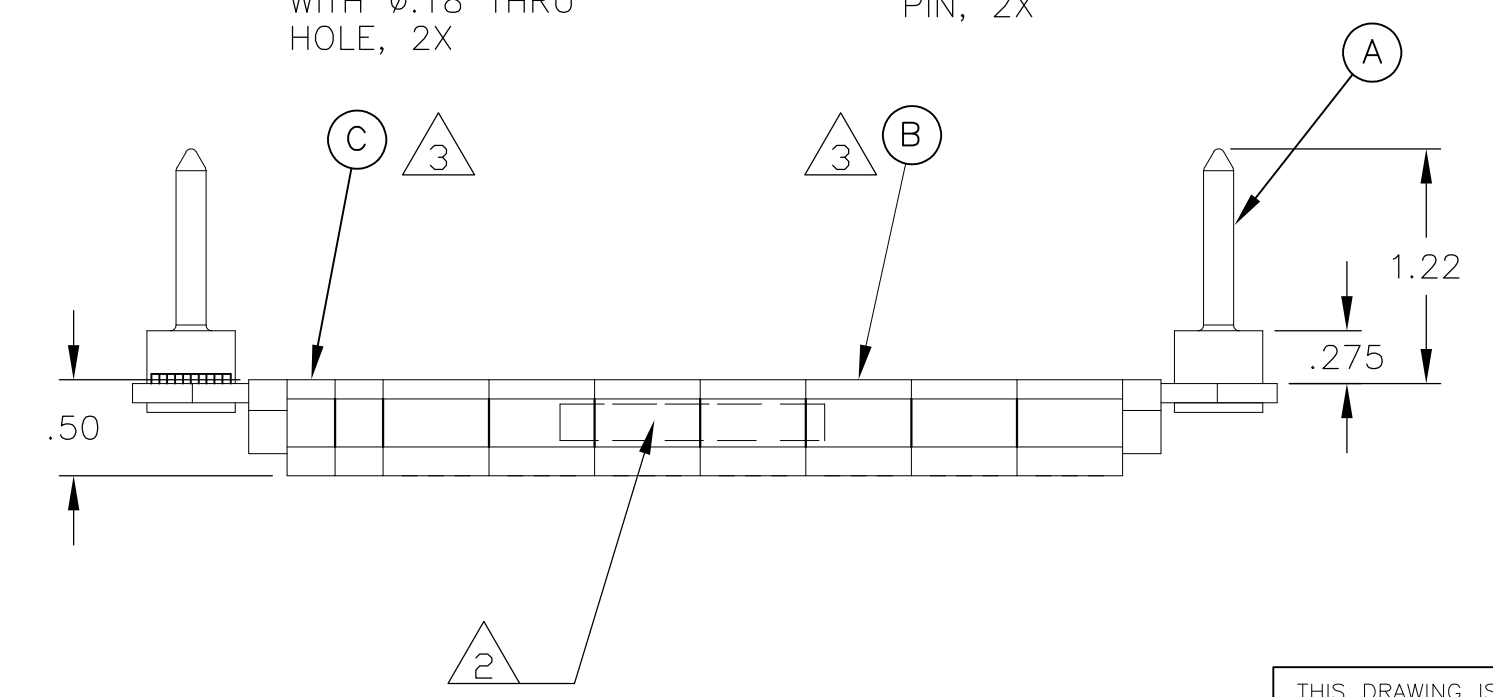
THIS DRAWING IS UNPUBLISHED. RELEASED FOR PUBLICATION  
 © COPYRIGHT BY TYCO ELECTRONICS CORPORATION. ALL RIGHTS RESERVED.

LOC	DIST	REVISIONS					
GP	00	P	LTR	DESCRIPTION	DATE	DWN	APVD
			A	NEW RELEASE	25APR07	RG	DO



FIXED BUSHING WITH  $\phi$ .18 THRU HOLE, 2X

FIXED GUIDE PIN, 2X



1. PART NUMBER CHANGES AND/OR DESIGN CHANGES AFFECTING ITEM INTERCHANGEABILITY REQUIRE PRIOR TYCO APPROVAL AND AUTHORIZATION BY REVISION TO THIS DRAWING.

2 ITEMS PROVIDED TO THIS SPECIFICATION TO BE PERMANENTLY IDENTIFIED PER THE FOLLOWING IDENTIFIER:

YEAR | WEEK

TYCO PART NUMBER      DATE CODE (e.g. 0212)

XXXXXXXX-X              XXXX

3 MODULES NOTED ARE CRIMP REMOVABLE STYLE CONTACTS. THIS ASSEMBLY DOES NOT INCLUDE PIN CONTACTS. PROPER CONTACT ORDERING AND SELECTION SHALL BE THE RESPONSIBILITY OF THE CUSTOMER.

4 MOUNTING FLANGES BUSHING ACCEPT 6/32 SCREW ( $\phi$ .156 CLEARANCE HOLE, FLOAT MOUNT) OR 8/32 SCREW ( $\phi$ .173 CLEARANCE HOLE, FIXED MOUNT), USER SUPPLIED.

2	1648464-1	MODULE D	C
7	1648463-1	MODULE C	B
2	6648259-1	END CAP, GUIDE PIN, FLOAT	A
-1	PART NUMBER	DESCRIPTION	ITEM

THIS DRAWING IS A CONTROLLED DOCUMENT.		DWN	25APR2007	Tyco Electronics Corporation	
		CHK	25APR07	Harrisburg, PA 17105-3608	
		APVD	25APR07	NAME	
		S.FLICKINGER			
DIMENSIONS: INCHES		TOLERANCES UNLESS OTHERWISE SPECIFIED:		PRODUCT SPEC	
		0 PLC ± -		APPLICATION SPEC	
		1 PLC ± -		SIZE	
		2 PLC ± .02		CAGE CODE	
		3 PLC ± .010		DRAWING NO	
		4 PLC ± -		RESTRICTED TO	
		ANGLES ± -		A3 00779 C-6646123	
MATERIAL		FINISH		WEIGHT	
				-	
CUSTOMER DRAWING				SCALE	1:1
				SHEET	1 OF 2
				REV	A

4

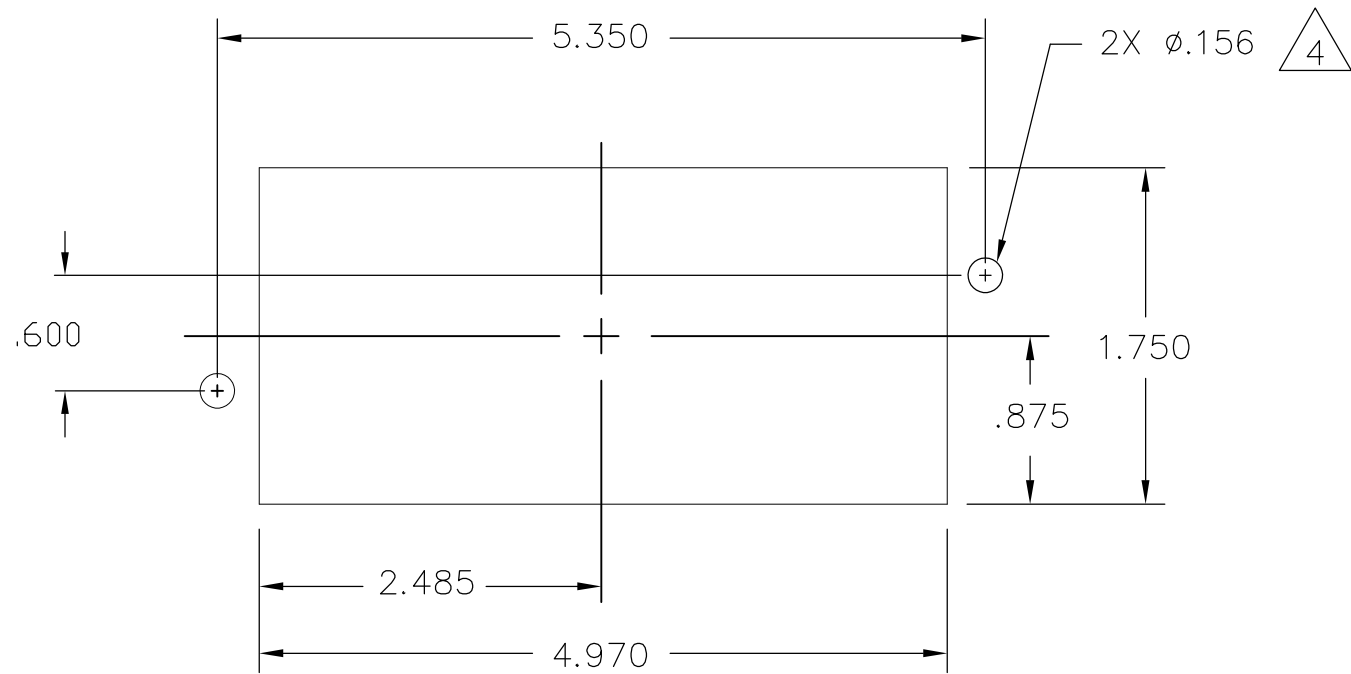
3

2

1

THIS DRAWING IS UNPUBLISHED. RELEASED FOR PUBLICATION  
 © COPYRIGHT - BY TYCO ELECTRONICS CORPORATION. ALL RIGHTS RESERVED.

LOC	DIST	REVISIONS					
GP	00	P	LTR	DESCRIPTION	DATE	DWN	APVD
		-		SEE SHEET 1	-	-	-



PIN PANEL MOUNT CUTOUT  
 SCALE: NONE

THIS DRAWING IS A CONTROLLED DOCUMENT.		DWN	25APR2007		Tyco Electronics Corporation	
		CHK	25APR07		Harrisburg, PA 17105-3608	
		APVD	25APR07		NAME	
		PRODUCT SPEC	PIN CONNECTOR			
		APPLICATION SPEC	DOMINO			
			W/ PANEL CUT-OUT			
DIMENSIONS: INCHES		TOLERANCES UNLESS OTHERWISE SPECIFIED:		SIZE	CAGE CODE	DRAWING NO
		0 PLC	± -	A3	00779	G-6646123
		1 PLC	± -	RESTRICTED TO		
		2 PLC	± .02	-		
		3 PLC	± .010	-		
		4 PLC	± -	-		
		ANGLES	± -	-		
MATERIAL		FINISH		SCALE		SHEET
-		-		1:1		2 OF 2
CUSTOMER DRAWING				REV		A