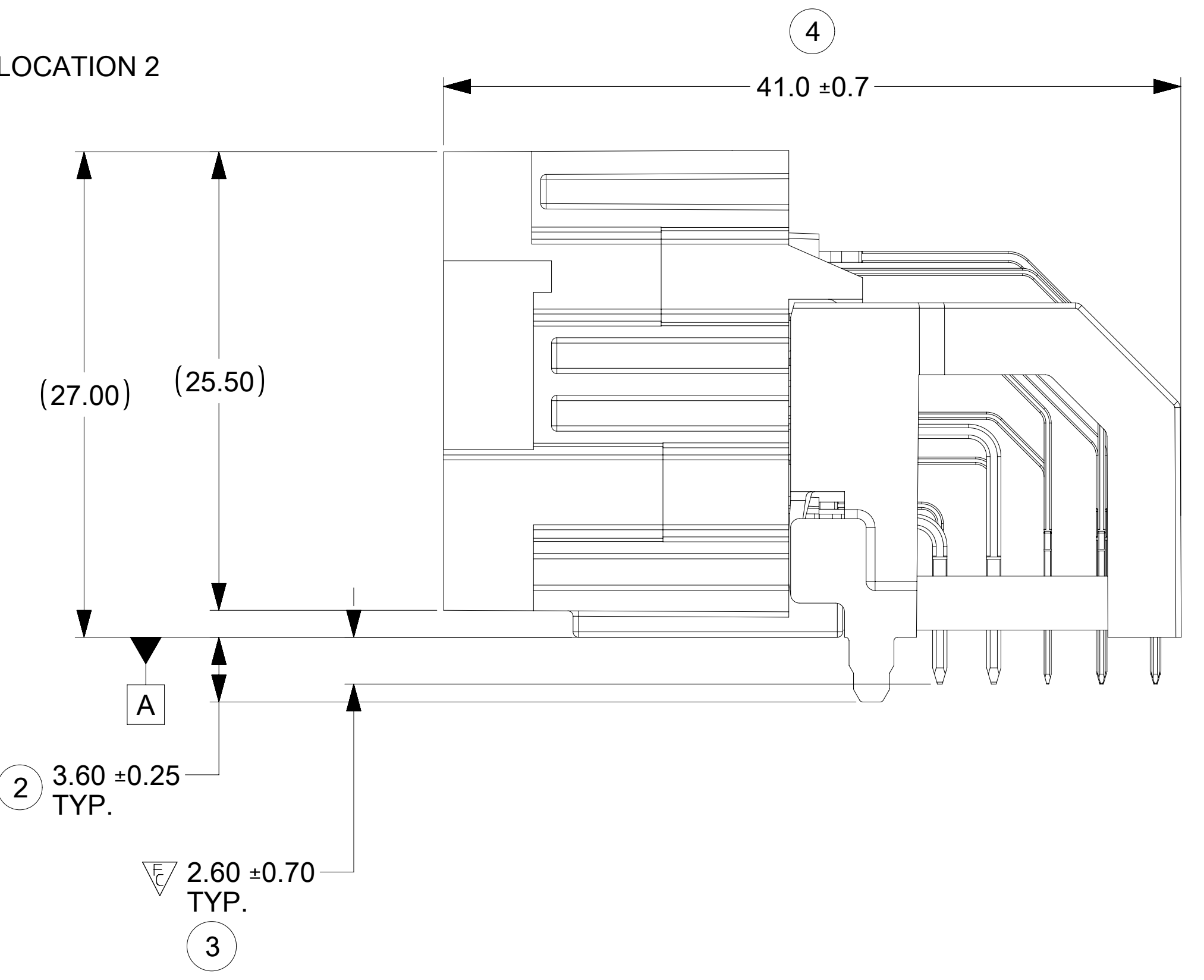
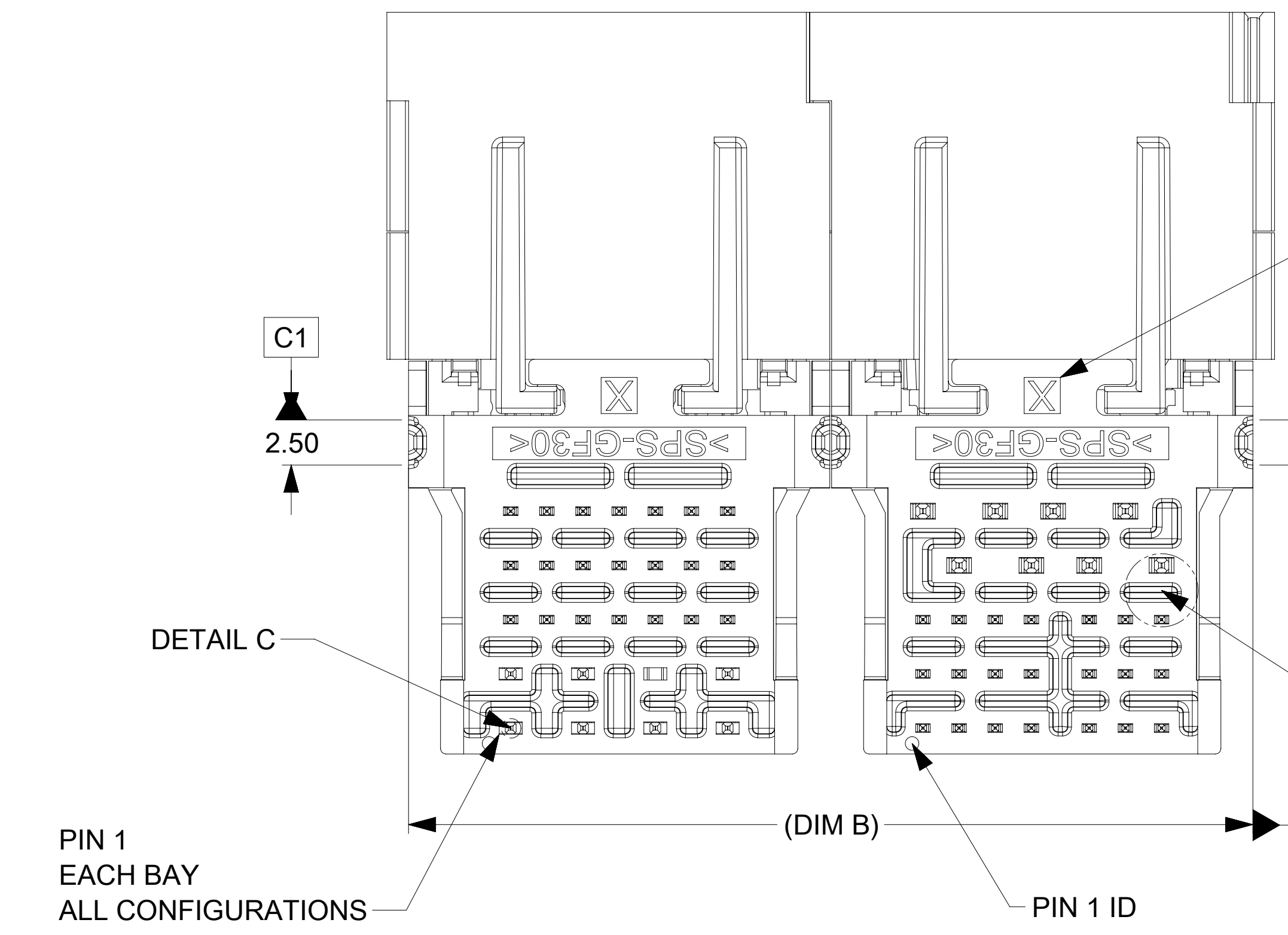


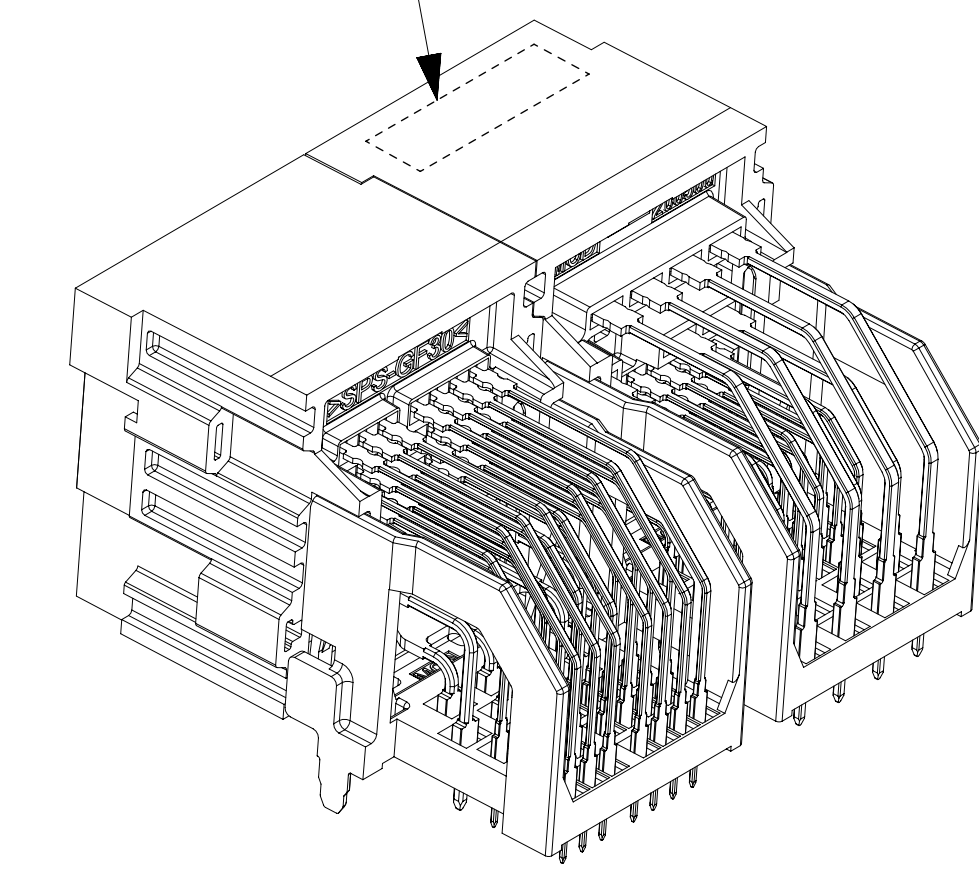
SEE INTERFACE DRAWING(SEE CHART) FOR POCKET DETAILS
SEE NOTE 3.7



MARKING THIS HALF OF THIS SURFACE, BAY 1 (SEE NOTE 4.3)



PIN 1 EACH BAY ALL CONFIGURATIONS



| BAY QTY | DIM A | DIM B |
|---------|-------|-------|
| 2 | 49.1 | 46.7 |
| 3 | 72.5 | 70.1 |
| 4 | 95.9 | 93.5 |
| 5 | 119.3 | 116.9 |
| 6 | 142.7 | 140.3 |
| 7 | 166.1 | 163.7 |

NOTES: VALID UNLESS OTHERWISE SPECIFIED

1. GENERAL:
 - 1.1 APPLICATION SPECIFICATION 2005060000-AS
 - 1.2 PRODUCT SPECIFICATION 2005060001-PS CLASSIFICATIONS T1V1S1 TO GMW 3191 2012
 - 1.3 PACKAGING SPECIFICATION PER MOLEX DRAWING
2. DESIGN - MATERIALS: SEE COMPONENT DRAWINGS
 - 2.1 HOUSING: SPS 30% GF
 - 2.2 BLADE TERMINALS:
 - A. 0.5MM BLADES
BASE MATERIAL: COPPER ALLOY
CONDUCTIVITY > 28% IACS @ 20°C
UNDERPLATE: OVERALL NICKEL
OVERPLATE: OVERALL TIN
 - B. 1.2MM BLADES
BASE MATERIAL: COPPER ALLOY
CONDUCTIVITY > 28% IACS @ 20°C
UNDERPLATE: OVERALL NICKEL
OVERPLATE: OVERALL TIN
 - C. 2.8MM BLADES
BASE MATERIAL: COPPER ALLOY
CONDUCTIVITY > 40% IACS @ 20°C
UNDERPLATE: OVERALL NICKEL
OVERPLATE: OVERALL TIN
3. DESIGN - GEOMETRY:
 - 3.1 ALL GRAPHIC DATA IS BASIC (NO TOLERANCE) AND MUST BE TAKEN FROM THE DATA FILE AT ITS LATEST REVISION.
 - 3.2 PRODUCT DESIGN MODEL NUMBER: SEE CHART. MODEL NUMBERS SAME AS PART NUMBERS
 - 3.3 GEOMETRIC DIMENSIONS AND TOLERANCES PER ASME Y14.5-2009
 - 3.4 EDGES OF UNDEFINED SHAPE PER ISO 13715
 - 3.5 CORNERS SHOWN AS SHARP TO BE R 0.4 MAX.
 - 3.6 LETTERING SHALL BE MAX POSSIBLE FOR READABILITY. THIS INCLUDES RECYCLING CODE, CAVITY ID,VENDOR IDENTIFICATION, AND CUSTOMER MATERIAL NUMBER.
 - 3.7 FOR BAY/POCKET DEFINITION SEE MOLEX INTERFACE DRAWINGS IN CHART. FUNCTIONAL APPLIES TO ALL FUNCTIONALS IN INTERFACE DRAWINGS.
 - 3.8 [G] DENOTES DIMENSIONS TO BE QUALIFIED WITH GAGE FOR PPAP AND IN PROCESS QUALITY CHECKS.
4. DESIGN - MANUFACTURING:
 - 4.1 VISUAL DEFECTS SHALL MEET MOLEX COSMETIC STANDARD PS-45499-002 (CLASS B)
 - 4.2 REFLOW SOLDERABILITY PER SMES-152
 - 4.3 LASER ETCHED PART MARKING (1.5mm HEIGHT) CODED AS FOLLOWS
ROW 1: "YYDDDDHHMMSS"
- DATE AND TIME CODE
ROW 2: "XXXXX" OR "XXXXX_X"
-" XXXXX" IS LAST 5 DIGITS OF PART NO AND DENOTES ORIGINAL ASSEMBLY LINE
-"_X" DENOTES CAPACITY ASSEMBLY LINE SUCH AS "_B" OR MORE IN FUTURE

| | |
|-------------------------------|-------------|
| INSPECTION BALLOON NUMBER LOG | SEE SHEET 2 |
| PER DRAWING REVISION: C10 | |
| LAST BALLOON NUMBER: 16 | |
| ADDED BALLOON NUMBER: NONE | |
| DELETED BALLOON NUMBER: NONE | |

| REVISION | DESCRIPTION |
|----------|-------------|
| | |

| | | | | | |
|--|---------------------------------------|---|-----|--------------------------------------|---------------------------|
| FUNCTIONAL SYMBOLS | | THIS DRAWING CONTAINS INFORMATION THAT IS PROPRIETARY TO MOLEX ELECTRONIC TECHNOLOGIES, LLC AND SHOULD NOT BE USED WITHOUT WRITTEN PERMISSION | | CURRENT REV DESC: SEE REVISION TABLE | |
| FA = 0 | mm | SCALE | 4:1 | | |
| FE = 2 | GENERAL TOLERANCES (UNLESS SPECIFIED) | | | | |
| FP = 0 | ANGULAR TOL | | ± | ° | |
| DIVISIONAL SYMBOLS | | 4 PLACES | ± | 0.0 | EC NO: 680371 |
| | | 3 PLACES | ± | 0.0 | DRWN: PKH 2021/09/28 |
| | | 2 PLACES | ± | 0.13 | CHK'D: YPENG47 2021/10/07 |
| | | 1 PLACE | ± | 0.25 | APPR: JCONDON 2021/10/07 |
| | | 0 PLACES | ± | 0.0 | INITIAL REVISION: |
| DRAFT WHERE APPLICABLE MUST REMAIN WITHIN DIMENSIONS | | THIRD ANGLE PROJECTION | | DRWN: JJOYA 2016/05/31 | 2016/06/17 |
| | | DRAWING | | APPR: KDEKOSKI | |
| | | D-SIZE | | SERIES | 200506 |
| DOCUMENT STATUS | | MATERIAL NUMBER | | CUSTOMER | |
| P1 | RELEASE DATE | 2005060000 | | SEE CHART | |
| | 2021/10/07 15:12:41 | PSD 000 | | C10 | |
| | | SHEET NUMBER | | 1 OF 4 | |

| ASSEMBLY PART NO. | SINGLE BAY ASSEMBLY PART NUMBER PER LOCATION | | | | | | |
|-------------------|--|------------|--------------|--------------|--------------|--------------|--------------|
| | 1 | 2 | 3 | 4 | 5 | 6 | 7 |
| 2005062004 | 2005020284 | 2005020251 | -----NA----- | -----NA----- | -----NA----- | -----NA----- | -----NA----- |
| 2005062005 | 2005020121 | 2005020271 | -----NA----- | -----NA----- | -----NA----- | -----NA----- | -----NA----- |
| 2005066001 | 2005020281 | 2005020322 | 2005020253 | 2005020283 | 2005020324 | 2005020273 | -----NA----- |
| 2005063001 | 2005020123 | 2005020321 | 2005020323 | -----NA----- | -----NA----- | -----NA----- | -----NA----- |
| 2005062007 | 2005020121 | 2005020122 | -----NA----- | -----NA----- | -----NA----- | -----NA----- | -----NA----- |
| 2005062008 | 2005020321 | 2005020323 | -----NA----- | -----NA----- | -----NA----- | -----NA----- | -----NA----- |
| 2005063006 | 2005020321 | 2005020282 | 2005020323 | -----NA----- | -----NA----- | -----NA----- | -----NA----- |
| 2005063007 | 2005020321 | 2005020322 | 2005020323 | -----NA----- | -----NA----- | -----NA----- | -----NA----- |
| 2005063008 | 2005020321 | 2005020282 | 2005020283 | -----NA----- | -----NA----- | -----NA----- | -----NA----- |
| 2005063003 | 2005020251 | 2005020252 | 2005020321 | -----NA----- | -----NA----- | -----NA----- | -----NA----- |
| 2005063009 | 2005020123 | 2005020253 | 2005020322 | -----NA----- | -----NA----- | -----NA----- | -----NA----- |
| 2005062009 | 2005020284 | 2005020281 | -----NA----- | -----NA----- | -----NA----- | -----NA----- | -----NA----- |
| 2005063010 | 2005020122 | 2005020123 | 2005020124 | -----NA----- | -----NA----- | -----NA----- | -----NA----- |
| 2005063011 | 2005020322 | 2005020252 | 2005020251 | -----NA----- | -----NA----- | -----NA----- | -----NA----- |
| 2005062011 | 2005020271 | 2005020272 | -----NA----- | -----NA----- | -----NA----- | -----NA----- | -----NA----- |
| 2005066002 | 2005020251 | 2005020252 | 2005020123 | 2005020122 | 2005020124 | 2005020322 | -----NA----- |
| 2005065003 | 2005020251 | 2005020252 | 2005020253 | 2005020324 | 2005020323 | -----NA----- | -----NA----- |
| 2005062012 | 2005020323 | 2005020121 | -----NA----- | -----NA----- | -----NA----- | -----NA----- | -----NA----- |
| 2005063012 | 2005020321 | 2005020322 | 2005020254 | -----NA----- | -----NA----- | -----NA----- | -----NA----- |
| 2005064004 | 2005020321 | 2005020322 | 2005020323 | 2005020324 | -----NA----- | -----NA----- | -----NA----- |
| 2005062013 | 2005020323 | 2005020324 | -----NA----- | -----NA----- | -----NA----- | -----NA----- | -----NA----- |
| 2005062014 | 2005020324 | 2005020321 | -----NA----- | -----NA----- | -----NA----- | -----NA----- | -----NA----- |
| 2005064006 | 2005020253 | 2005020281 | 2005020282 | 2005020283 | -----NA----- | -----NA----- | -----NA----- |
| 2005062015 | 2005020271 | 2005020124 | -----NA----- | -----NA----- | -----NA----- | -----NA----- | -----NA----- |
| 2005063015 | 2005020323 | 2005020271 | 2005020124 | -----NA----- | -----NA----- | -----NA----- | -----NA----- |
| 2005063016 | 2005020281 | 2005020282 | 2005020283 | -----NA----- | -----NA----- | -----NA----- | -----NA----- |

| SINGLE BAY ASSEMBLY | DRAWING | INTERFACE DRAWING | TERMINAL QUANTITIES | | |
|-------------------------------|--------------|-------------------|---------------------|-------|-------|
| | | | 0.5mm | 1.2mm | 2.8mm |
| 2005020121 THROUGH 2005020124 | 2005021120SD | SD-160026-002 | | 8 | 4 |
| 2005020251 THROUGH 2005020254 | 2005021250SD | SD-160027-002 | 21 | | 4 |
| 2005020271 THROUGH 2005020274 | 2005021270SD | SD-160029-002 | 19 | 8 | |
| 2005020281 THROUGH 2005020284 | 2005021280SD | SD-160014-002 | 21 | 7 | |
| 2005020321 THROUGH 2005020324 | 2005021320SD | SD-160028-002 | 28 | 4 | |

| | |
|----------|---|
| C10 | NOTE 4.3 UPDATED |
| C9 | ADDED PART NUMBER 2005063016 ECN 655445 |
| C8 | ADDED MISSED DATUM F 11-JUNE-2020 YPENG47 ECN:639277 |
| C7 | ADDED PCB HOLE DIMENSIONAL & POSITIONAL TOLERANCE ADDED PART NUMBERS 2005062015 & 2005063015 07JAN2020 JBR ECN 630121 |
| C6 | ADDED PART NUMBER 2005064006 ECN 623652 |
| C5 | ADDED PART NUMBER 2005062013, 2005062014 ECN 621423 |
| C4 | ADDED PART NUMBER 2005064004 ECN 620443 |
| C3 | ADDED PART NUMBER 2005063012 ECN 618092 |
| C2 | ADDED PART NUMBER 2005062012 ECN 610976 |
| C1 | CORRECTED BAY SERIES NUMBER IN 2005062001. UPDATED PCB TERMINATION TOLERANCE TO MATCH SINGLE BAY DRAWINGS. CLARIFIED PCB HEIGHT TO DATUM A. ECN 602205. |
| C | INTERFACE GEOMETRY CHANGE TO LOCK TAB. ADDED PART NUMBERS. SAP ECN 10906786. |
| B6 | ADDED PART NUMBER 2005062011. CORRECTED PART NUMBER 2005063003. SAP ECN 10901610 |
| B5 | ADDED TWO NEW PART NUMBERS AND CHANGED KEYS FOR 2005062009 SAP ECN 10878438 |
| B4 | ADDED PART NUMBER |
| B3 | REVISED PART NUMBER SAP ECN 10868615 |
| B2 | ADDED PART NUMBER SAP ECN 10867945 |
| B1 | CORRECTED PART NUMBERS. ADDED PART NUMBER. CHANGED TOL ON DIM 4 TO +/-0.7. CORRECTED VIEW ROTATION SHEET 3. RELEASE TO SAP ECN 10861460. |
| B | MODULE OPENING CHANGE. UPDATED NOTES. ADDED NEW PART NUMBERS |
| A5 | ADDED PART NUMBER |
| A4 | ADDED PART NUMBER |
| A3 | RELEASE TO GENERAL MARKET |
| A2 | CHANGED PART NUMBER MARKING, MODIFY DIMENSIONS |
| A1 | ADDED PN 2005066001 |
| A | INITIAL RELEASE |
| REVISION | DESCRIPTION |

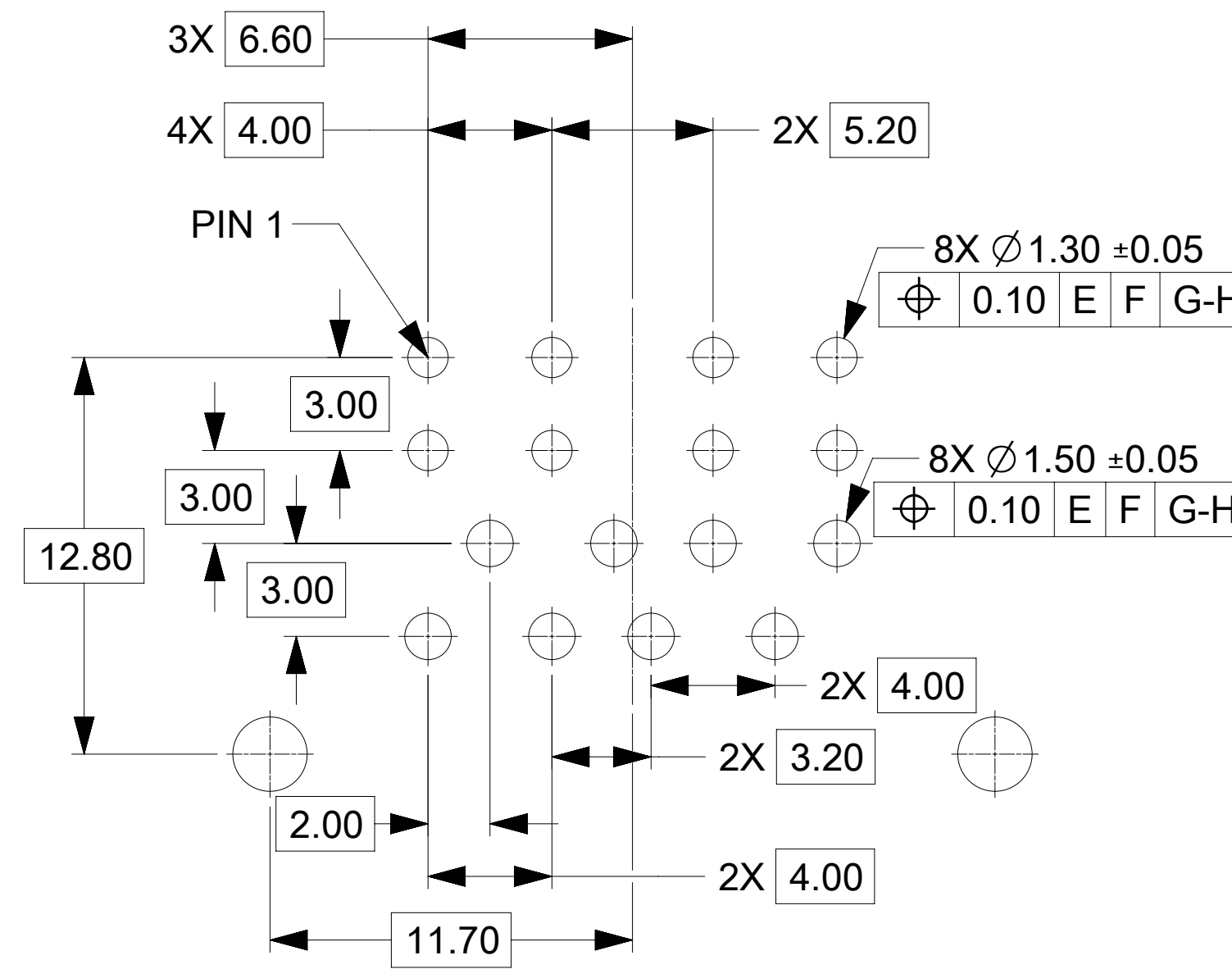
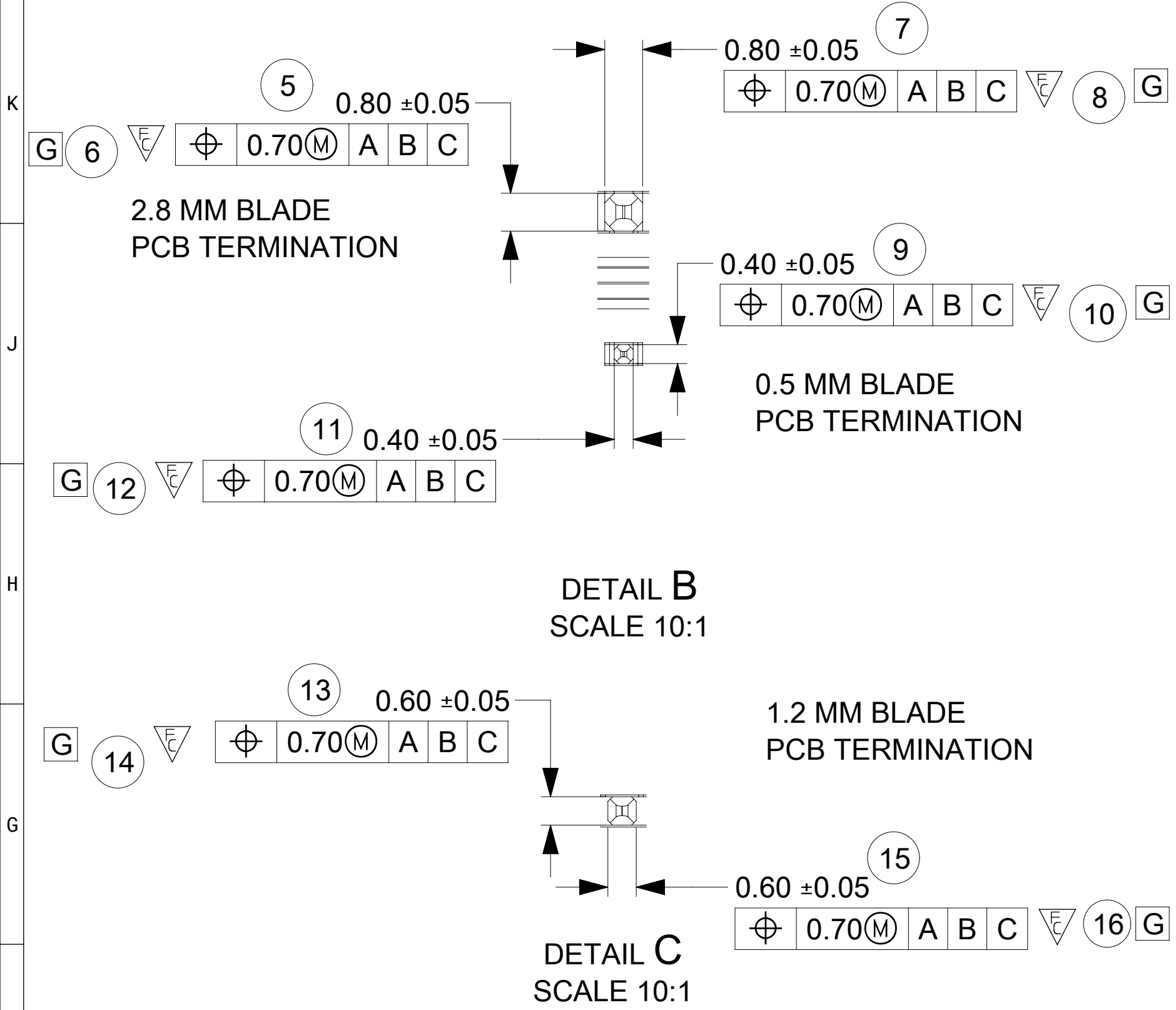
| | | | | |
|--------------------|---|----------------------------------|--------------------------------------|---------------------------|
| FUNCTIONAL SYMBOLS | THIS DRAWING CONTAINS INFORMATION THAT IS PROPRIETARY TO MOLEX ELECTRONIC TECHNOLOGIES, LLC AND SHOULD NOT BE USED WITHOUT WRITTEN PERMISSION | | CURRENT REV DESC: SEE REVISION TABLE | |
| | FA = 0 | mm | SCALE 1:1 | |
| DIVISIONAL SYMBOLS | GENERAL TOLERANCES (UNLESS SPECIFIED) | | EC NO: 680371 | |
| | FC = 0 | ANGULAR TOL ± ° | DRWN: PKH | 2021/09/28 |
| DIVISIONAL SYMBOLS | 4 PLACES | ± 0.0 | CHK'D: YPENG47 | 2021/10/07 |
| | 3 PLACES | ± 0.0 | APPR: JCONDON | 2021/10/07 |
| DIVISIONAL SYMBOLS | 2 PLACES | ± 0.13 | INITIAL REVISION: | |
| | 1 PLACE | ± 0.25 | DRWN: JJOYA | 2016/05/31 |
| DIVISIONAL SYMBOLS | 0 PLACES | ± 0.0 | APPR: KDEKOSKI | 2016/06/17 |
| | DRAFT WHERE APPLICABLE MUST REMAIN WITHIN DIMENSIONS | | THIRD ANGLE PROJECTION | DRAWING D-SIZE |
| DOCUMENT STATUS P1 | | RELEASE DATE 2021/10/07 15:12:41 | SERIES 200506 | MATERIAL NUMBER SEE CHART |
| DOCUMENT NUMBER | | DOC TYPE PSD | DOC PART 000 | REVISION C10 |
| 2005060000 | | CUSTOMER | | SHEET NUMBER 2 OF 4 |



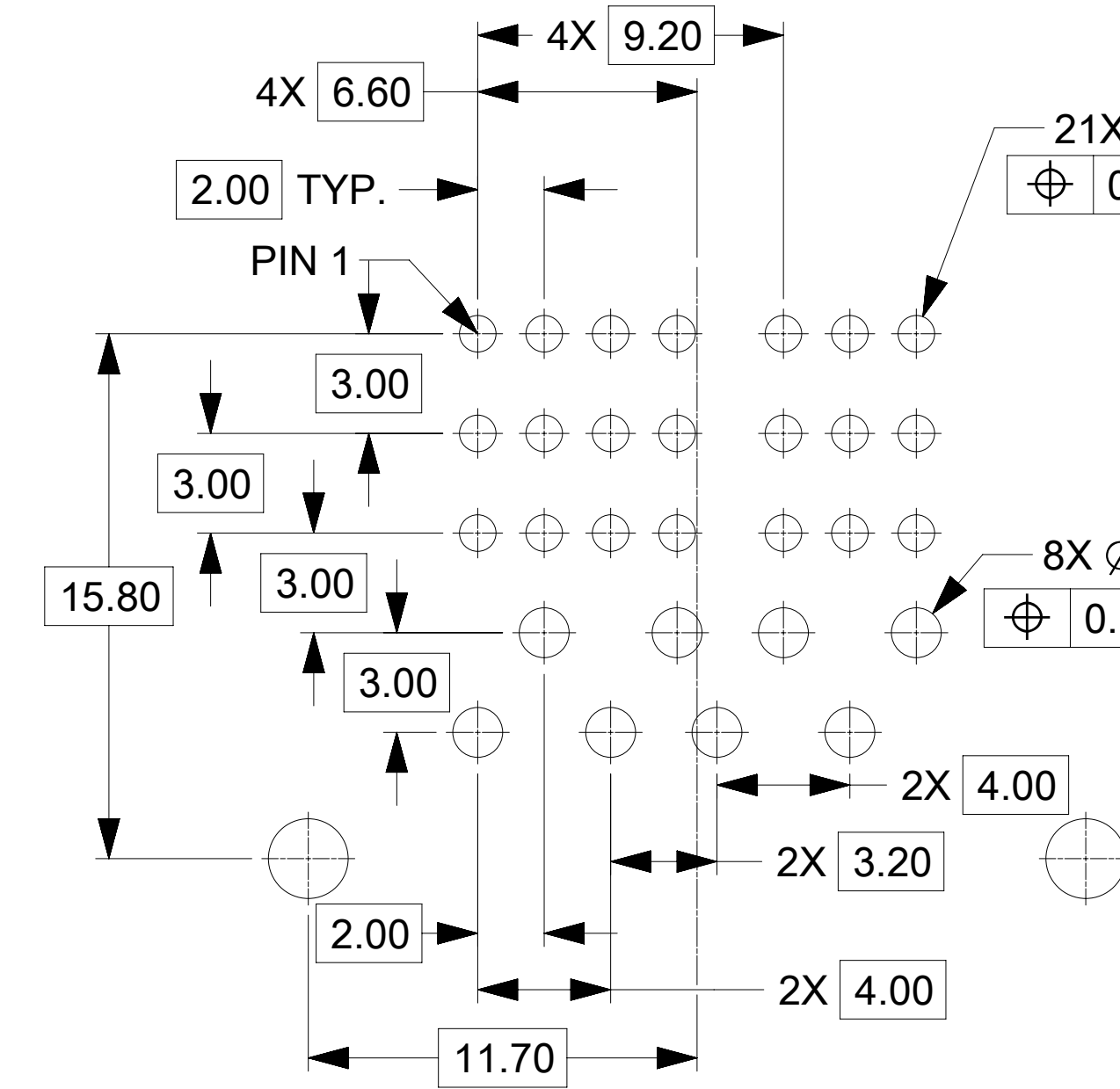
STAK50H MOD HDR RA MULTI-BAY ASSEM

PRODUCT CUSTOMER DRAWING

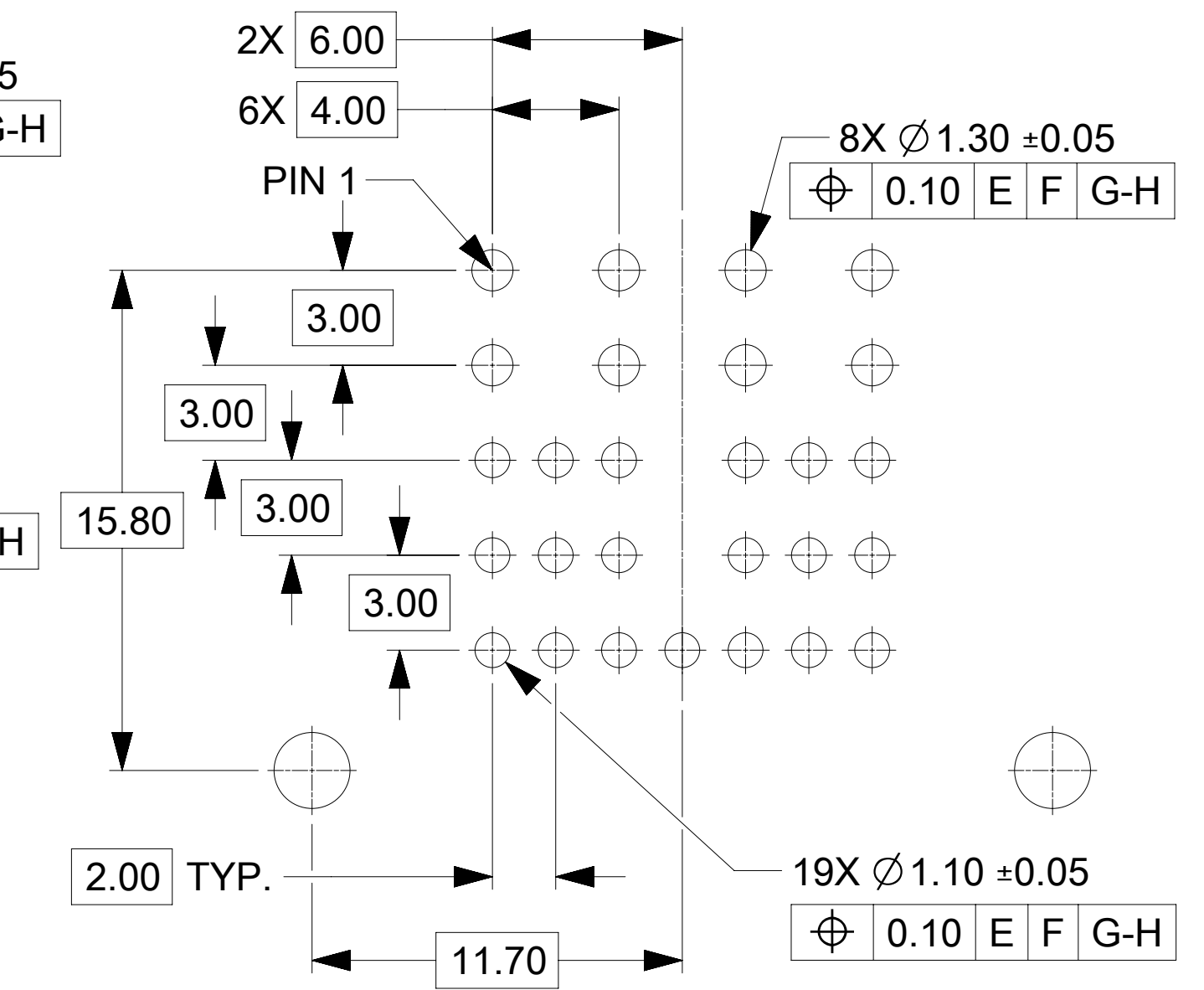
TYPICAL PCB TERMINATIONS
 SIZE AND TRUE POSITION TOLERANCES
 SEE INDIVIDUAL SINGLE BAY DRAWINGS
 FOR LOCATIONS (CHART ON SHEET 1)
 PARTS TO BE CHECKED WITH FUNCTIONAL GAGE
 SEE NOTE 3.8



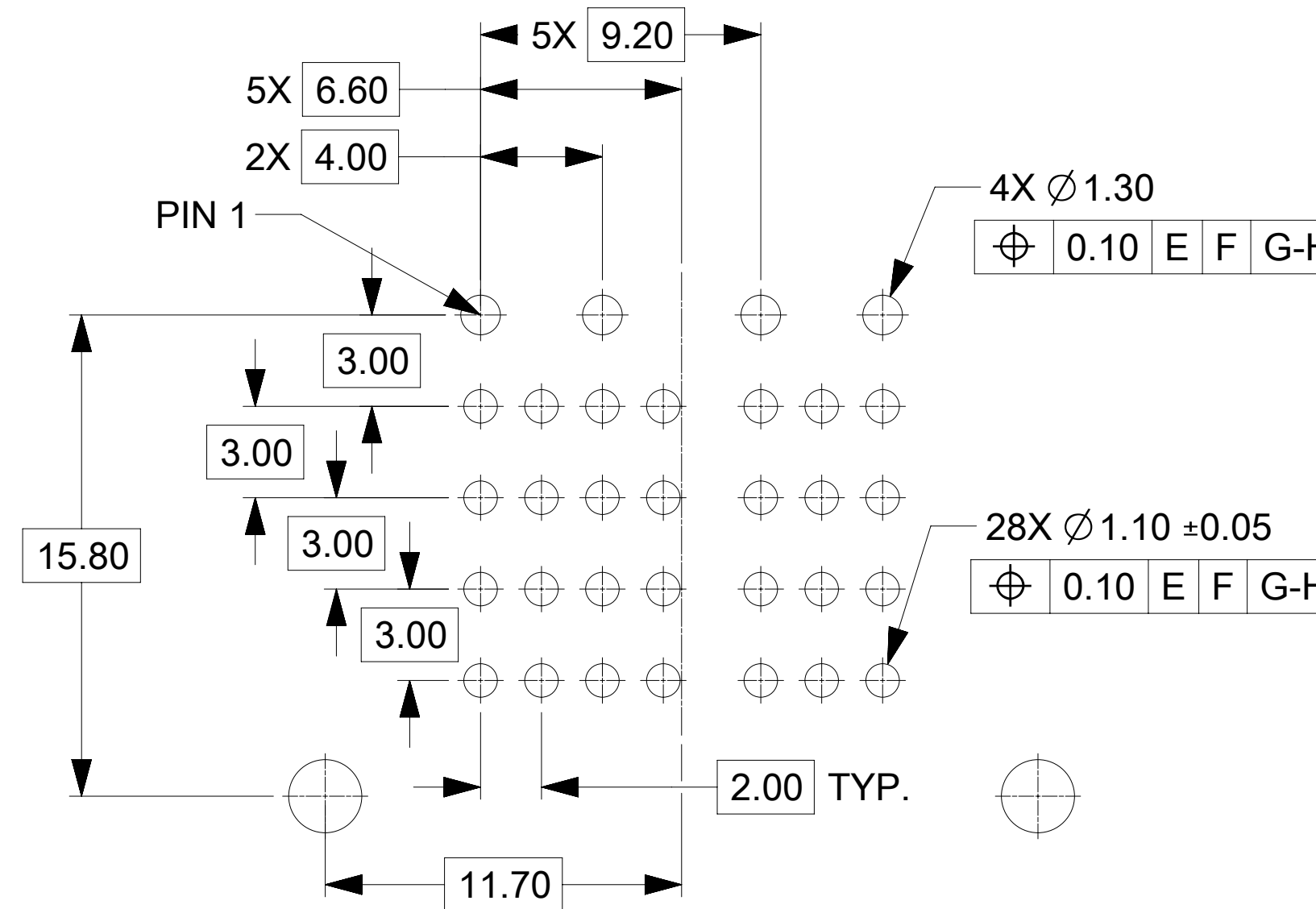
12 WAY
 2005020121
 2005020122
 2005020123
 2005020124



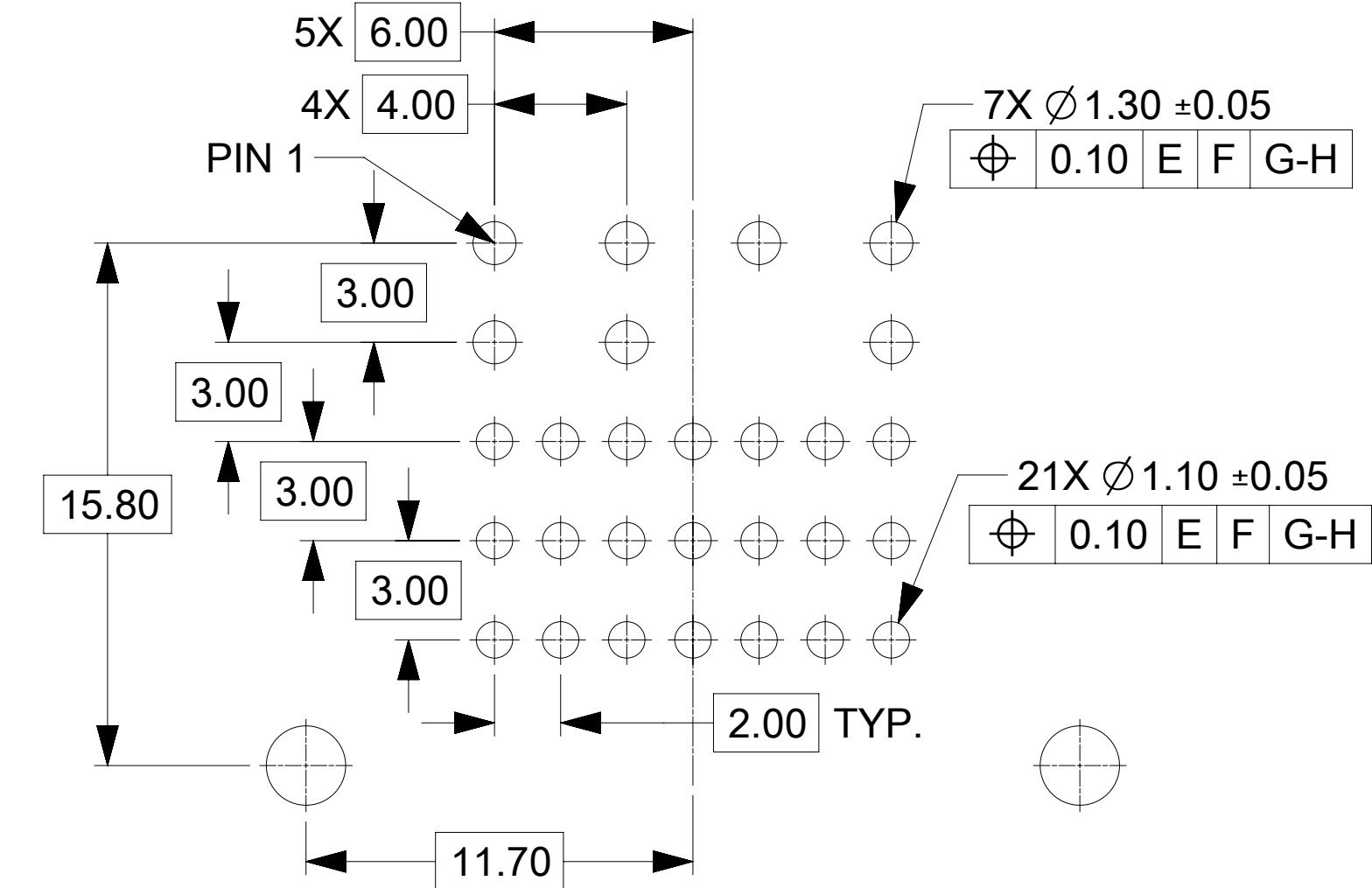
25 WAY
 2005020251
 2005020252
 2005020253
 2005020254



27 WAY
 2005020271
 2005020272
 2005020273
 2005020274

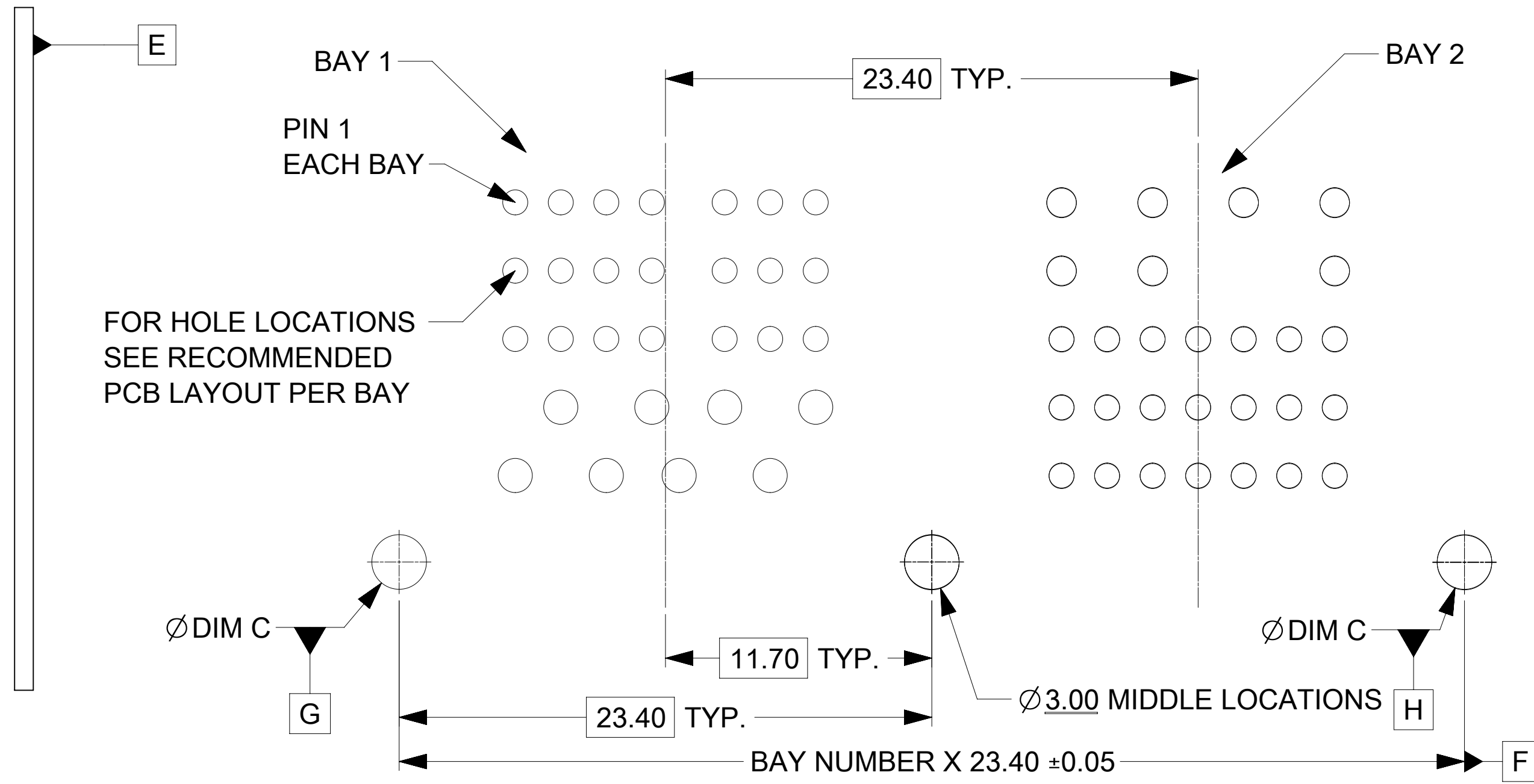


32 WAY
 2005020321
 2005020322
 2005020323
 2005020324



28 WAY
 2005020281
 2005020282
 2005020283
 2005020284

RECOMMENDED PCB LAYOUT FOR MULTIPLE BAY HEADER
 FOR REFERENCE ONLY
 INSERT NECESSARY BAYS USING CHART ON SHEET 1



| POST HOLE FIT | DIM C |
|---------------|-----------|
| PRESS FIT | 2.40±0.05 |
| DROP IN | 2.90 MIN |

| | | | | |
|--|---|-------------------------------------|--------------------------------------|------------------------|
| FUNCTIONAL SYMBOLS FA = 0 FE = 6 FP = 0 | THIS DRAWING CONTAINS INFORMATION THAT IS PROPRIETARY TO MOLEX ELECTRONIC TECHNOLOGIES, LLC AND SHOULD NOT BE USED WITHOUT WRITTEN PERMISSION | | CURRENT REV DESC: SEE REVISION TABLE | |
| | DIMENSION UNITS mm | SCALE 5:1 | | |
| DIVISIONAL SYMBOLS | GENERAL TOLERANCES (UNLESS SPECIFIED) | | EC NO: 680371 | |
| | ANGULAR TOL ± ° | | DRWN: PKH | 2021/09/28 |
| | 4 PLACES ± 0.0 | | CHK'D: YPENG47 | 2021/10/07 |
| | 3 PLACES ± 0.0 | | APPR: JCONDON | 2021/10/07 |
| 2 PLACES ± 0.13 | | INITIAL REVISION: | | |
| 1 PLACE ± 0.25 | | DRWN: JJOYA | 2016/05/31 | |
| 0 PLACES ± 0.0 | | APPR: KDEKOSKI | 2016/06/17 | |
| DRAFT WHERE APPLICABLE MUST REMAIN WITHIN DIMENSIONS | | THIRD ANGLE PROJECTION | DRAWING D-SIZE | SERIES 200506 |
| DOCUMENT STATUS P1 | | RELEASE DATE 2021/10/07 15:12:41 | MATERIAL NUMBER 2005060000 | CUSTOMER SEE CHART |
| | | | DOC TYPE PSD | DOC PART 000 |
| | | | REVISION C10 | SHEET NUMBER 3 OF 4 |

molex

STAK50H MOD HDR RA MULTI-BAY ASSEM

PRODUCT CUSTOMER DRAWING

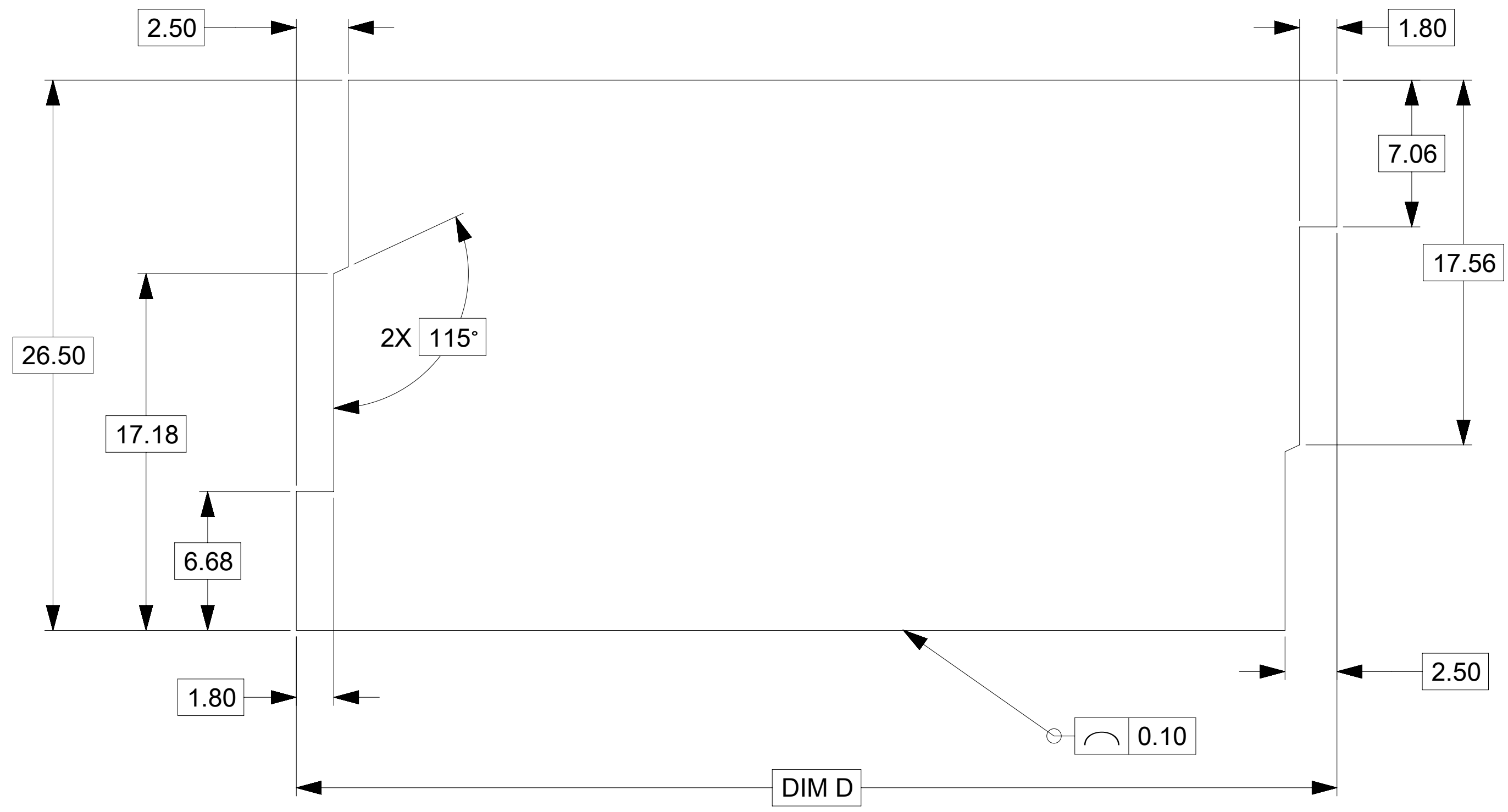
DOCUMENT NUMBER: 2005060000

MATERIAL NUMBER: 200506

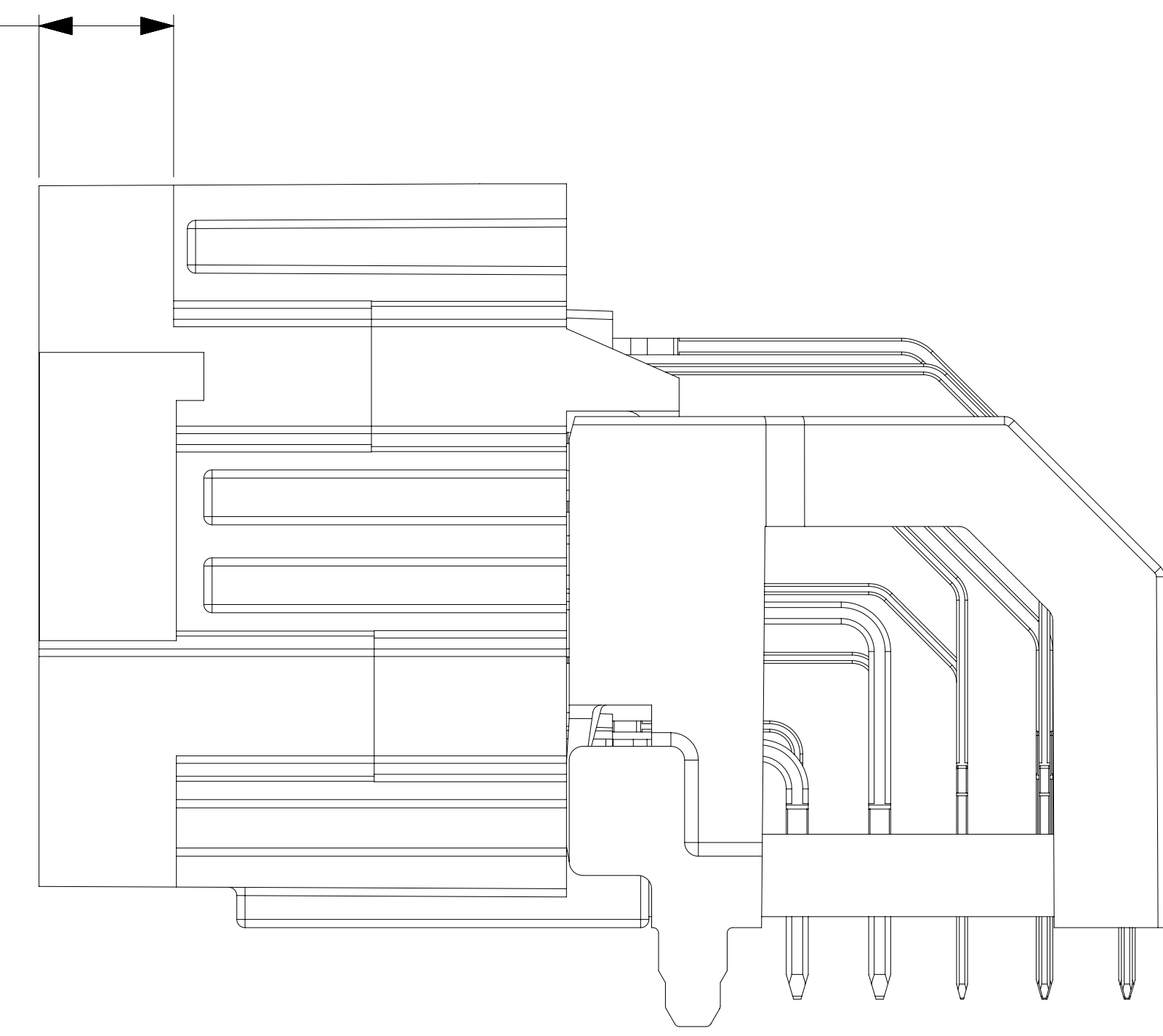
CUSTOMER: SEE CHART

RECOMMENDED MODULE OPENING
TO PASS ISO 20653 IP-4

| BAY QTY | DIM D |
|---------|-------|
| 2 | 50.1 |
| 3 | 73.5 |
| 4 | 96.9 |
| 5 | 120.3 |
| 6 | 143.7 |
| 7 | 167.1 |

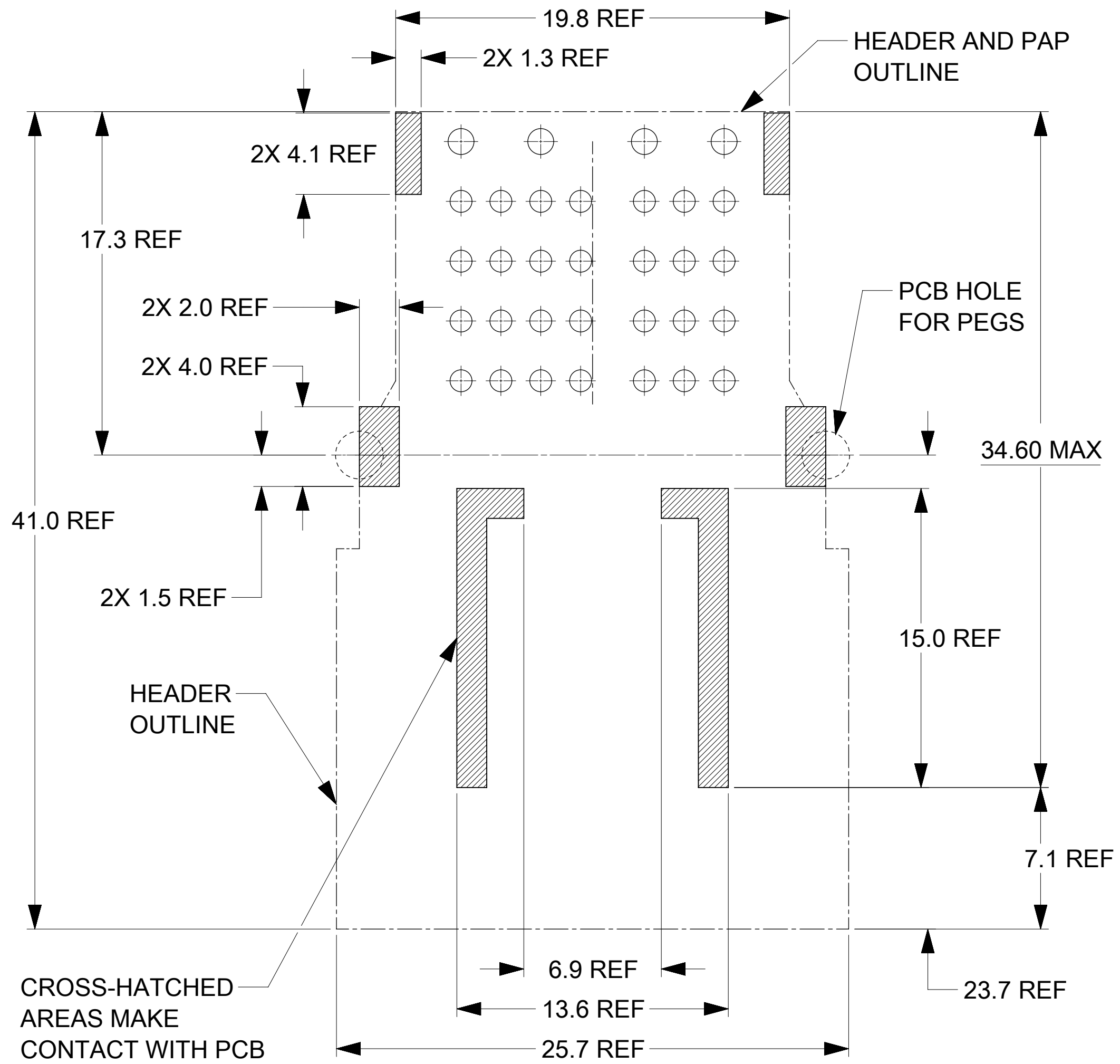


(4.90)
SPACE FOR
MODULE
COVER



FOR PACKAGE SPACE FOR CONNECTOR
UNMATED AND MATED WITH COVER
SEE INTERFACE DRAWINGS (CHART ON SHEET 1)

HEADER OUTLINE AND
PCB - HEADER CONTACT AREAS
FOR REFERENCE ONLY



| | | | | | | | | |
|--|---|---------------------------|--------------------------------------|----------|--------------------------|------------------------------------|-----------------|----------|
| FUNCTIONAL SYMBOLS FA = 0 FC = 0 FP = 0 | THIS DRAWING CONTAINS INFORMATION THAT IS PROPRIETARY TO MOLEX ELECTRONIC TECHNOLOGIES, LLC AND SHOULD NOT BE USED WITHOUT WRITTEN PERMISSION | | CURRENT REV DESC: SEE REVISION TABLE | | | | | |
| | DIMENSION UNITS | SCALE | EC NO: 680371 | | | STAK50H MOD HDR RA MULTI-BAY ASSEM | | |
| DIVISIONAL SYMBOLS | mm | 1:1 | DRWN: PKH 2021/09/28 | | PRODUCT CUSTOMER DRAWING | | | |
| | GENERAL TOLERANCES (UNLESS SPECIFIED) | | CHK'D: YPENG47 2021/10/07 | | | | | |
| | ANGULAR TOL ± ° | | APPR: JCONDON 2021/10/07 | | DOCUMENT NUMBER | | | |
| | 4 PLACES | ± 0.0 | INITIAL REVISION: | | | DOC TYPE | | |
| | 3 PLACES | ± 0.0 | DRWN: JJOYA 2016/05/31 | | | | DOC PART | |
| 2 PLACES | ± 0.13 | APPR: KDEKOSKI 2016/06/17 | | REVISION | | | | |
| 1 PLACE | ± 0.25 | 2005060000 | | | PSD | | | |
| 0 PLACES | ± 0.0 | SEE CHART | | | | 000 | | |
| DRAFT WHERE APPLICABLE MUST REMAIN WITHIN DIMENSIONS | | THIRD ANGLE PROJECTION | DRAWING | SERIES | | | MATERIAL NUMBER | CUSTOMER |
| | | | D-SIZE | 200506 | SEE CHART | | | 4 OF 4 |