

# ELR H5-I-SC/500AC-9-IFS - Hybrid motor starter



2905160

<https://www.phoenixcontact.com/us/products/2905160>

Please be informed that the data shown in this PDF document is generated from our online catalog. Please find the complete data in the user documentation. Our general terms of use for downloads are valid.



Networkable hybrid motor starter for reversing 3~ AC motors up to 500 V AC, output current: 9 A, adjustable overload shutdown, and screw connection, DIN rail connector provided.

## Your advantages

- 22.5 mm wide
- Reduction in wiring
- Space saving
- Long service life
- 3-phase loop bridges
- Adjustable current for bimetal function
- Low-wear switching

## Commercial data

Item number	2905160
Packing unit	1 pc
Minimum order quantity	1 pc
Sales key	C474
Product key	CK7444
Catalog page	Page 25 (C-5-2019)
GTIN	4046356920285
Weight per piece (including packing)	301.8 g
Weight per piece (excluding packing)	282.7 g
Customs tariff number	85371098
Country of origin	DE

# ELR H5-I-SC/500AC-9-IFS - Hybrid motor starter



2905160

<https://www.phoenixcontact.com/us/products/2905160>

## Technical data

### Product properties

Product type	Hybrid motor starters
Product family	CONTACTRON
Operating mode	100% operating factor

### Electrical properties

Number of phases	3
Motor starter type	Reversing starter
Maximum power dissipation for nominal condition	12 W
Switching frequency	≤ 2 Hz (Load-dependent)
Maximum power dissipation	7 W
Minimum power dissipation	0.88 W
Coordination type	1

### Supply

Rated control circuit supply voltage $U_S$	24 V DC
Control supply voltage range	19.2 V DC ... 30 V DC
Rated control supply current $I_S$	60 mA
Protective circuit	Surge protection Reverse polarity protection; Parallel polarity protection diode

### Insulation characteristics

Rated insulation voltage	550 V
Rated surge voltage	6 kV
Overvoltage category	III
Degree of pollution	2
Insulation characteristics between the control input and control supply voltage, and auxiliary circuit to the main circuit	Safe isolation (IEC 60947-1)
Isolation characteristics between the control input and control supply voltage to auxiliary circuit	Safe isolation (IEC 60947-1) in the auxiliary circuit ≤ 300 V AC

### Emergency tripping

Operate threshold	> 60 A
Response time	< 0.5 s

## Output data

### AC output

Rated operating voltage $U_e$	500 V AC
Operating voltage range	42 V AC ... 550 V AC
Rated operating current $I_e$	9 A (AC-51) 7 A (AC-53a)
Mains frequency	50/60 Hz
Load current range	1.5 A ... 9 A (see to derating)

# ELR H5-I-SC/500AC-9-IFS - Hybrid motor starter



2905160

<https://www.phoenixcontact.com/us/products/2905160>

Trigger characteristic in acc. with IEC 60947-4-2	Class 10A
Cooling time	20 min. (for auto reset)
Leakage current	0 mA
Protective circuit	Surge protection; Varistor

## Connection data

### Control circuits

Connection method	Screw connection
Stripping length	8 mm
Screw thread	M3
Conductor cross section rigid	0.2 mm <sup>2</sup> ... 2.5 mm <sup>2</sup>
Conductor cross section flexible	0.2 mm <sup>2</sup> ... 2.5 mm <sup>2</sup>
Conductor cross section AWG	24 ... 14
Tightening torque	0.5 Nm ... 0.6 Nm 5 lb <sub>F</sub> -in. ... 7 lb <sub>F</sub> -in.

### Load circuit

Connection method	Screw connection
Stripping length	8 mm
Screw thread	M3
Conductor cross section rigid	0.2 mm <sup>2</sup> ... 2.5 mm <sup>2</sup>
Conductor cross section flexible	0.2 mm <sup>2</sup> ... 2.5 mm <sup>2</sup>
Conductor cross section AWG	24 ... 14
Tightening torque	0.5 Nm ... 0.6 Nm 5 lb <sub>F</sub> -in. ... 7 lb <sub>F</sub> -in.

## Signaling

Status display	Yellow LED
Operating voltage display	Green LED
Error indication	Red LED

## Dimensions

Width	22.5 mm
Height	107 mm
Depth	114 mm

## Material specifications

Flammability rating according to UL 94	V0 (Housing)
--	--------------

## Environmental and real-life conditions

### Ambient conditions

Degree of protection	IP20
Ambient temperature (operation)	-5 °C ... 60 °C (observe derating)
Ambient temperature (storage/transport)	-40 °C ... 80 °C

# ELR H5-I-SC/500AC-9-IFS - Hybrid motor starter



2905160

<https://www.phoenixcontact.com/us/products/2905160>

Altitude	≤ 2000 m
----------	----------

## Approvals

### UKCA

Certificate	UKCA-compliant
-------------	----------------

### UL approval

Certificate	NLDX.E228652
	NRNT.E172140

### UL data

SCCR	100 kA (480 V AC (fuse: 30 A class CC/30 A class J (high fault))) 5 kA (480 V AC (fuse: 20 A RK5 (standard fault)))
FLA	7.6 A (480 V AC)
Group installation	20 A (class RK5, SCCR 5kA (480 V AC), #24 - 14 AWG max. solid and stranded) 30 A (class CC or J, SCCR 100kA (480 V AC), #24 - 14 AWG max, solid and stranded)
Category code	NLDX / NRNT
Horsepower ratings	2 hp (208 V AC) 2 hp (230 V AC) 2 hp (240 V AC) 5 hp (480 V AC)

## Standards and regulations

### Standards/regulations

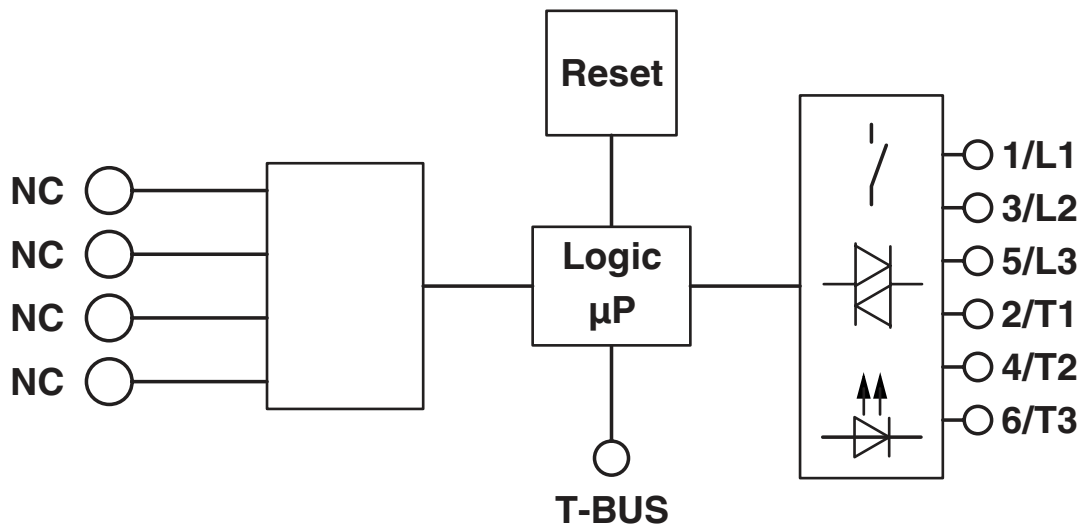
Standards/regulations	IEC 60947-1
	EN 60947-4-2

## Mounting

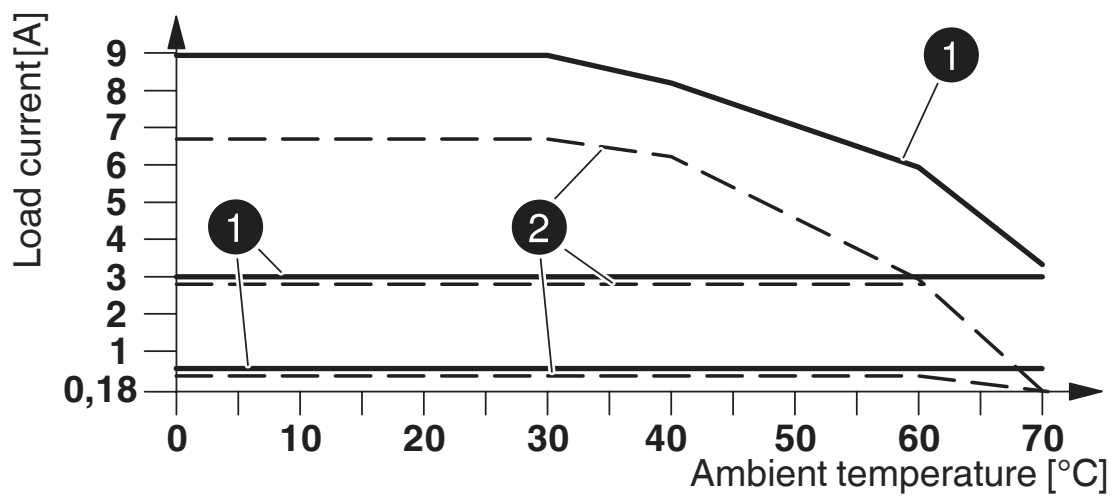
Mounting type	DIN rail mounting
Assembly instructions	alignable, for spacing see derating
Mounting position	vertical (horizontal DIN rail, motor output below)

## Drawings

Block diagram



Diagram



- ① = aligned with > 20 mm spacing
- ② = aligned without spacing

Derating diagram

# ELR H5-I-SC/500AC-9-IFS - Hybrid motor starter



2905160

<https://www.phoenixcontact.com/us/products/2905160>

## Approvals

To download certificates, visit the product detail page: <https://www.phoenixcontact.com/us/products/2905160>



**IECEE CB Scheme**  
Approval ID: DE1-60807



**EAC**  
Approval ID: RU\*C-DE.\*08.B.00520\*



**UL Listed**  
Approval ID: FILE E 172140



**CCC**  
Approval ID: 2016010304900298



**cUL Listed**  
Approval ID: FILE E 172140



**cUL Listed**  
Approval ID: FILE E 228652



**UL Listed**  
Approval ID: FILE E 228652

# ELR H5-I-SC/500AC-9-IFS - Hybrid motor starter



2905160

<https://www.phoenixcontact.com/us/products/2905160>

## Classifications

### ECLASS

ECLASS-11.0	27370905
ECLASS-13.0	27370905
ECLASS-12.0	27370905

### ETIM

ETIM 8.0	EC001037
----------	----------

### UNSPSC

UNSPSC 21.0	25173900
-------------	----------

# ELR H5-I-SC/500AC-9-IFS - Hybrid motor starter



2905160

<https://www.phoenixcontact.com/us/products/2905160>

## Environmental product compliance

REACH SVHC	Lead 7439-92-1
China RoHS	Environmentally Friendly Use Period = 50 years
	For information on hazardous substances, refer to the manufacturer's declaration available under "Downloads"



# ELR H5-I-SC/500AC-9-IFS - Hybrid motor starter



2905160

<https://www.phoenixcontact.com/us/products/2905160>

## Accessories

### BRIDGE- 2 - Bridge

2900746

<https://www.phoenixcontact.com/us/products/2900746>

3-phase loop bridge for CONTACTRON modules, with screw connection and 22.5 mm housing width, connecting cable: 0.3 m, with ferrules.



---

### BRIDGE- 3 - Bridge

2900747

<https://www.phoenixcontact.com/us/products/2900747>

3-phase loop bridge for 3 CONTACTRON modules, with screw connection and 22.5 mm housing width, connecting cable: 0.3 m, with ferrules.



# ELR H5-I-SC/500AC-9-IFS - Hybrid motor starter



2905160

<https://www.phoenixcontact.com/us/products/2905160>

## BRIDGE- 4 - Bridge

2900748

<https://www.phoenixcontact.com/us/products/2900748>

3-phase loop bridge for 4 CONTACTRON modules, with screw connection and 22.5 mm housing width, connecting cable: 0.3 m, with ferrules.



---

## BRIDGE- 5 - Bridge

2900749

<https://www.phoenixcontact.com/us/products/2900749>

3-phase loop bridge for 5 CONTACTRON modules, with screw connection and 22.5 mm housing width, connecting cable: 0.3 m, with ferrules.



# ELR H5-I-SC/500AC-9-IFS - Hybrid motor starter



2905160

<https://www.phoenixcontact.com/us/products/2905160>

## BRIDGE- 6 - Bridge

2900750

<https://www.phoenixcontact.com/us/products/2900750>

3-phase loop bridge for 6 CONTACTRON modules, with screw connection and 22.5 mm housing width, connecting cable: 0.3 m, with ferrules.



---

## BRIDGE- 7 - Bridge

2900751

<https://www.phoenixcontact.com/us/products/2900751>

3-phase loop bridge for 7 CONTACTRON modules, with screw connection and 22.5 mm housing width, connecting cable: 0.3 m, with ferrules.



# ELR H5-I-SC/500AC-9-IFS - Hybrid motor starter



2905160

<https://www.phoenixcontact.com/us/products/2905160>

## BRIDGE- 8 - Bridge

2900752

<https://www.phoenixcontact.com/us/products/2900752>

3-phase loop bridge for 8 CONTACTRON modules, with screw connection and 22.5 mm housing width, connecting cable: 0.3 m, with ferrules.



---

## BRIDGE- 9 - Bridge

2900753

<https://www.phoenixcontact.com/us/products/2900753>

3-phase loop bridge for 9 CONTACTRON modules, with screw connection and 22.5 mm housing width, connecting cable: 0.3 m, with ferrules.



# ELR H5-I-SC/500AC-9-IFS - Hybrid motor starter



2905160

<https://www.phoenixcontact.com/us/products/2905160>

## BRIDGE-10 - Bridge

2900754

<https://www.phoenixcontact.com/us/products/2900754>

3-phase loop bridge for 10 CONTACTRON modules, with screw connection and 22.5 mm housing width, connecting cable: 0.3 m, with ferrules.



---

## BRIDGE- 2-1M - Bridge

2901542

<https://www.phoenixcontact.com/us/products/2901542>

3-phase loop bridge for 2 CONTACTRON modules, with screw connection and 22.5 mm housing width, connecting cable: 1 m



# ELR H5-I-SC/500AC-9-IFS - Hybrid motor starter



2905160

<https://www.phoenixcontact.com/us/products/2905160>

## BRIDGE- 3-1M - Bridge

2901655

<https://www.phoenixcontact.com/us/products/2901655>

3-phase loop bridge for 3 CONTACTRON modules, with screw connection and 22.5 mm housing width, connecting cable: 1 m



---

## BRIDGE- 4-1M - Bridge

2901658

<https://www.phoenixcontact.com/us/products/2901658>

3-phase loop bridge for 4 CONTACTRON modules, with screw connection and 22.5 mm housing width, connecting cable: 1 m



# ELR H5-I-SC/500AC-9-IFS - Hybrid motor starter



2905160

<https://www.phoenixcontact.com/us/products/2905160>

## BRIDGE- 5-1M - Bridge

2901544

<https://www.phoenixcontact.com/us/products/2901544>

3-phase loop bridge for 5 CONTACTRON modules, with screw connection and 22.5 mm housing width, connecting cable: 1 m



---

## BRIDGE- 6-1M - Bridge

2901649

<https://www.phoenixcontact.com/us/products/2901649>

3-phase loop bridge for 6 CONTACTRON modules, with screw connection and 22.5 mm housing width, connecting cable: 1 m



# ELR H5-I-SC/500AC-9-IFS - Hybrid motor starter



2905160

<https://www.phoenixcontact.com/us/products/2905160>

## BRIDGE- 2-3M - Bridge

2901543

<https://www.phoenixcontact.com/us/products/2901543>

3-phase loop bridge for 2 CONTACTRON modules, with screw connection and 22.5 mm housing width, connecting cable: 3 m



---

## BRIDGE- 3-3M - Bridge

2901656

<https://www.phoenixcontact.com/us/products/2901656>

3-phase loop bridge for 3 CONTACTRON modules, with screw connection and 22.5 mm housing width, connecting cable: 3 m





# ELR H5-I-SC/500AC-9-IFS - Hybrid motor starter



2905160

<https://www.phoenixcontact.com/us/products/2905160>

## BRIDGE- 4-3M - Bridge

2901659

<https://www.phoenixcontact.com/us/products/2901659>

3-phase loop bridge for 4 CONTACTRON modules, with screw connection and 22.5 mm housing width, connecting cable: 3 m



---

## BRIDGE- 5-3M - Bridge

2901545

<https://www.phoenixcontact.com/us/products/2901545>

3-phase loop bridge for 5 CONTACTRON modules, with screw connection and 22.5 mm housing width, connecting cable: 3 m



# ELR H5-I-SC/500AC-9-IFS - Hybrid motor starter



2905160

<https://www.phoenixcontact.com/us/products/2905160>

## BRIDGE- 6-3M - Bridge

2901697

<https://www.phoenixcontact.com/us/products/2901697>

3-phase loop bridge for 6 CONTACTRON modules, with screw connection and 22.5 mm housing width, connecting cable: 3 m



---

## BRIDGE- 7-3M - Bridge

2901698

<https://www.phoenixcontact.com/us/products/2901698>

3-phase loop bridge for 7 CONTACTRON modules, with screw connection and 22.5 mm housing width, connecting cable: 3 m



# ELR H5-I-SC/500AC-9-IFS - Hybrid motor starter



2905160

<https://www.phoenixcontact.com/us/products/2905160>

## BRIDGE- 8-3M - Bridge

2901700

<https://www.phoenixcontact.com/us/products/2901700>

3-phase loop bridge for 8 CONTACTRON modules, with screw connection and 22.5 mm housing width, connecting cable: 3 m



---

## BRIDGE- 9-3M - Bridge

2901701

<https://www.phoenixcontact.com/us/products/2901701>

3-phase loop bridge for 9 CONTACTRON modules, with screw connection and 22.5 mm housing width, connecting cable: 3 m



# ELR H5-I-SC/500AC-9-IFS - Hybrid motor starter



2905160

<https://www.phoenixcontact.com/us/products/2905160>

## BRIDGE-10-3M - Bridge

2901702

<https://www.phoenixcontact.com/us/products/2901702>

3-phase loop bridge for 10 CONTACTRON modules, with screw connection and 22.5 mm housing width, connecting cable: 3 m



---

## BRIDGE- 2- 2M/0,3M - Bridge

2909897

<https://www.phoenixcontact.com/us/products/2909897>

3-phase loop bridge for 2 CONTACTRON modules, with screw connection and 22.5 mm housing width, cable length between the modules: 0.3 m, connecting cable: 2 m



# ELR H5-I-SC/500AC-9-IFS - Hybrid motor starter



2905160

<https://www.phoenixcontact.com/us/products/2905160>

## BRIDGE- 3- 2M/0,3M - Bridge

2909898

<https://www.phoenixcontact.com/us/products/2909898>



3-phase loop bridge for 3 CONTACTRON modules, with screw connection and 22.5 mm housing width, cable length between the modules: 0.3 m, connecting cable: 2 m

---

## BRIDGE- 4- 2M/0,3M - Bridge

2909899

<https://www.phoenixcontact.com/us/products/2909899>



3-phase loop bridge for 4 CONTACTRON modules, with screw connection and 22.5 mm housing width, cable length between the modules: 0.3 m, connecting cable: 2 m

# ELR H5-I-SC/500AC-9-IFS - Hybrid motor starter



2905160

<https://www.phoenixcontact.com/us/products/2905160>

## US-EMLP (15X5) - Plastic label

0828790

<https://www.phoenixcontact.com/us/products/0828790>



Plastic label, Card, white, unlabeled, can be labeled with: BLUEMARK ID COLOR, BLUEMARK ID, THERMOMARK PRIME, THERMOMARK CARD 2.0, THERMOMARK CARD, mounting type: adhesive, lettering field size: 15 x 5 mm, Number of individual labels: 189

---

## UC-EMLP (15X5) - Plastic label

0819301

<https://www.phoenixcontact.com/us/products/0819301>



Plastic label, Sheet, white, unlabeled, can be labeled with: BLUEMARK ID COLOR, BLUEMARK ID, BLUEMARK CLED, PLOTMARK, CMS-P1-PLOTTER, mounting type: adhesive, lettering field size: 15 x 5 mm, Number of individual labels: 10

# ELR H5-I-SC/500AC-9-IFS - Hybrid motor starter



2905160

<https://www.phoenixcontact.com/us/products/2905160>

## ME 22,5 TBUS 1,5/ 5-ST-3,81 GY - DIN rail bus connectors

2201937

<https://www.phoenixcontact.com/us/products/2201937>



DIN rail connector, color: gray, nominal current: 8 A (parallel contacts), rated voltage (III/2): 125 V, number of positions: 5, pitch: 3.81 mm, mounting: DIN rail mounting, locking: without, mounting: without, type of packaging: packed in cardboard, Item with gold-plated contacts, bus connectors for connecting with electronics housings, 5 parallel contacts

---

## EM-PB-GATEWAY-IFS - Data interface

2297620

<https://www.phoenixcontact.com/us/products/2297620>



Gateway for the connection of up to 32 INTERFACE system devices to a higher-level controller via PROFIBUS DP. The INTERFACE system devices are connected to the Gateway via DIN rail connectors, the DIN rail connectors are provided.

# ELR H5-I-SC/500AC-9-IFS - Hybrid motor starter



2905160

<https://www.phoenixcontact.com/us/products/2905160>

## EM-CAN-GATEWAY-IFS - Data interface

2901504

<https://www.phoenixcontact.com/us/products/2901504>



Gateway for the connection of up to 32 INTERFACE system devices to a higher-level controller via CANopen<sup>®</sup>. The INTERFACE system devices are connected to the Gateway via DIN rail connectors, the DIN rail connectors are provided.

---

## EM-MODBUS-GATEWAY-IFS - Data interface

2901528

<https://www.phoenixcontact.com/us/products/2901528>



Gateway for the connection of up to 32 INTERFACE system devices via Modbus/TCP to a higher-level controller. The INTERFACE system devices are connected to the Gateway via DIN rail connectors, the DIN rail connectors are provided.



# ELR H5-I-SC/500AC-9-IFS - Hybrid motor starter



2905160

<https://www.phoenixcontact.com/us/products/2905160>

## EM-PNET-GATEWAY-IFS - Data interface

2904472

<https://www.phoenixcontact.com/us/products/2904472>



Gateway for the connection of up to 32 INTERFACE system devices via PROFINET to a higher-level controller. The INTERFACE system devices are connected to the Gateway via DIN rail connectors, the DIN rail connectors are provided.

---

## EM-ETH-GATEWAY-IFS - Data interface

2901988

<https://www.phoenixcontact.com/us/products/2901988>



Gateway for the connection of up to 32 INTERFACE system devices to a higher-level controller via EtherNet/IP™. The INTERFACE system devices are connected to the Gateway via DIN rail connectors, the DIN rail connectors are provided.

# ELR H5-I-SC/500AC-9-IFS - Hybrid motor starter



2905160

<https://www.phoenixcontact.com/us/products/2905160>

## EM-D-8/4-24DC-IFS - Extension module

2904473

<https://www.phoenixcontact.com/us/products/2904473>



For more complex applications with Interface system devices (IFS), the extension module offers digital inputs and outputs for processing additional signals in the field. Easy connection to IFS gateway via the DIN rail connector as the slave.

---

## QUINT4-SYS-PS/1AC/24DC/2.5/SC - Power supply unit

2904614

<https://www.phoenixcontact.com/us/products/2904614>



Primary-switched power supply, QUINT POWER, screw connection, DIN rail mounting, supply of devices possible via the TBUS DIN rail connector, protective coating, input: single-phase, output: 24 V DC/2.5 A

# ELR H5-I-SC/500AC-9-IFS - Hybrid motor starter



2905160

<https://www.phoenixcontact.com/us/products/2905160>

## ME 22,5 TBUS ADAPTER KMGY - DIN rail bus connectors

2201756

<https://www.phoenixcontact.com/us/products/2201756>

DIN rail bus adapter for ME and ME-MAX, design width: 22.5 mm, 5 parallel positions, color: light gray (similar to RAL 7035)



---

Phoenix Contact 2023 © - all rights reserved

<https://www.phoenixcontact.com>

Phoenix Contact USA  
586 Fulling Mill Road  
Middletown, PA 17057, United States  
(+717) 944-1300  
[info@phoenixcon.com](mailto:info@phoenixcon.com)