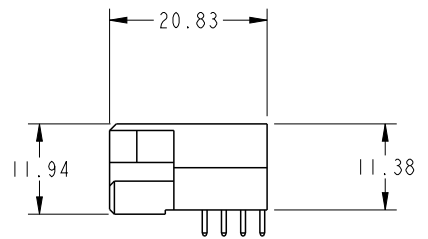
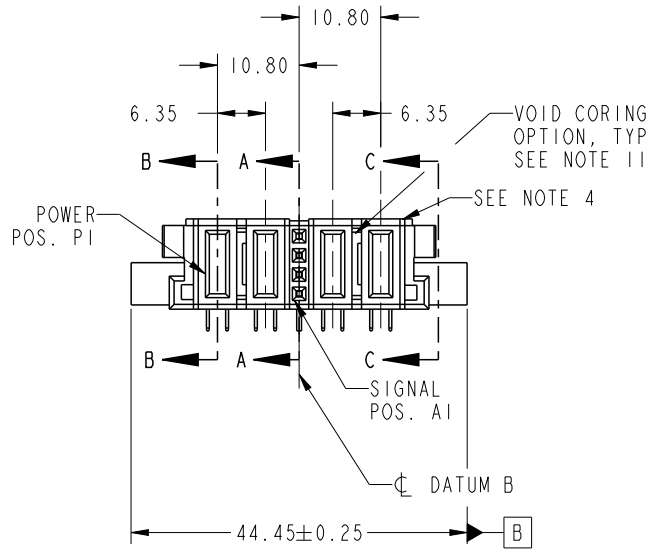




Copyright FCI.

PRODUCT NO. 51915-410-- NOTE 3	ROWS D C B A	POWER		SIGNAL		POWER	
		E2	P4	P3	1	P2	P1
		PA	PA	H G F E	PA	PA	



CODE	DIM "M" MATING LENGTH	CONTACT TYPE
PA	[1.07]	POWER
H	[N/A]	SIGNAL
G	[N/A]	SIGNAL
F	[N/A]	SIGNAL
E	[N/A]	SIGNAL

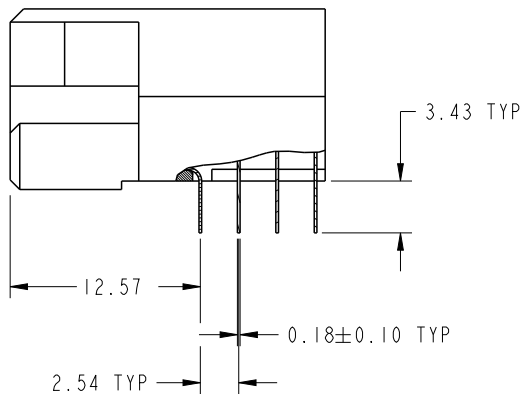
spec ref	SEE NOTES			dr	Jackie Huang	2013/07/23	projection 	MM ←→	size	A4	scale	1:1						
tolerance std	TOLERANCES UNLESS OTHERWISE SPECIFIED			eng	Jackie Huang	2013/08/08			product family	PwrBlade	ecn no			-				
SEE NOTES				chr	-	-					rel level			Released				
surface	✓	linear	0.X	±0.50	FCI www.fci.com	title	2P+4S+2P R/A STB RECEPTACLE			dwg no	51915-410		rev	A				
			0.XX	±0.25										cat. no.	Product - Customer Drw		sheet 1 of 4	
		angular	0°	±2°														

PrdE File - REV C - 2009-06-09

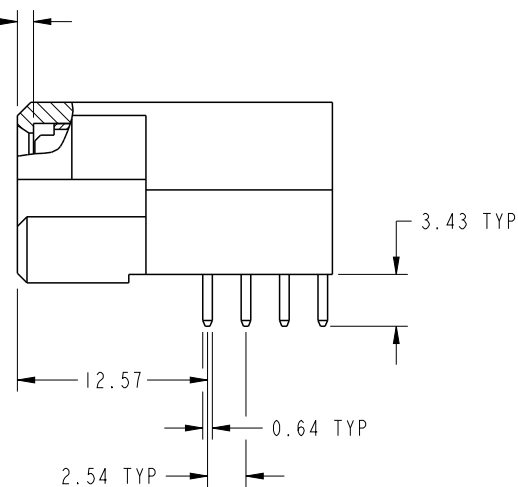
PRODUCT NUMBER

51915-410__
NOTE 3

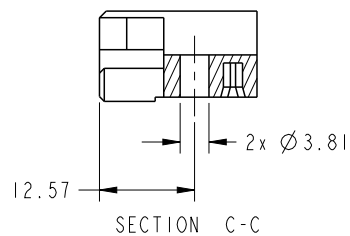
DIM "M" ±0.25



BROKEN-OUT SECTION A-A
SCALE 2:1



BROKEN-OUT SECTION B-B
SCALE 2:1

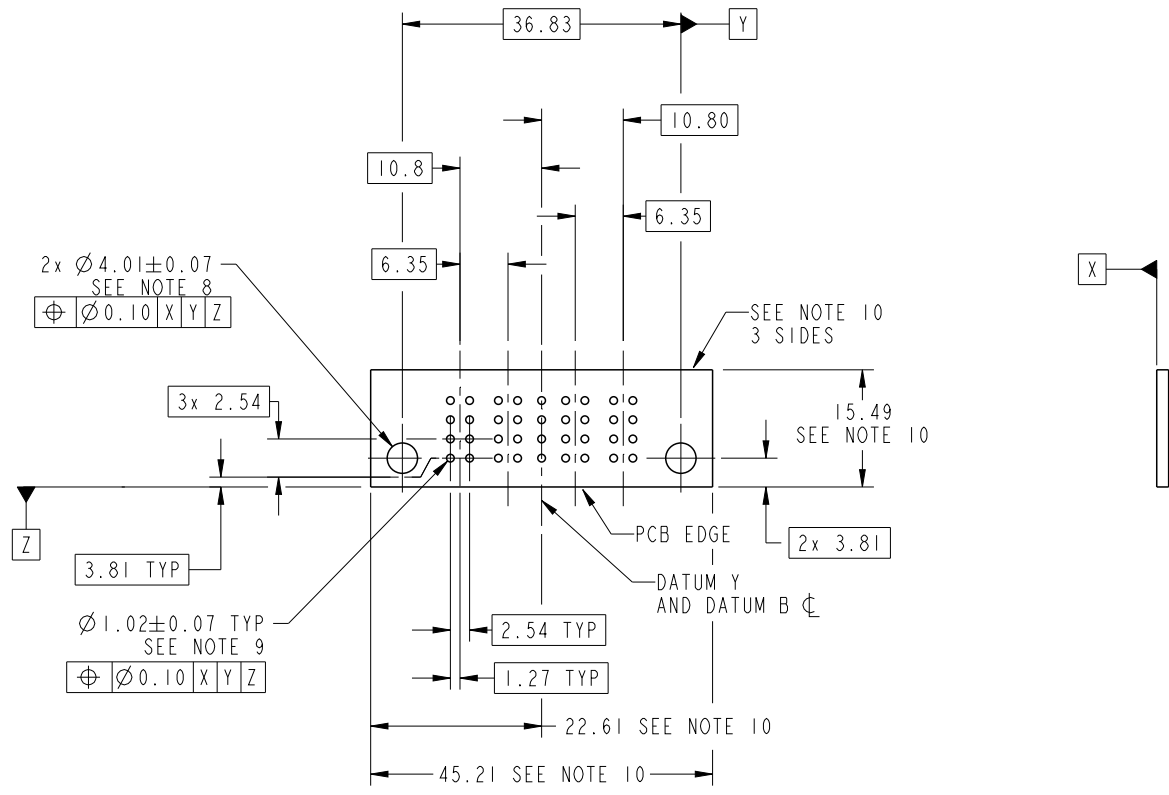


SECTION C-C

dr	Jackie Huang	2013/07/23	projection 	MM ←————→	size	A4	scale	1:1	
eng	Jackie Huang	2013/08/08			ecn no	-			
chr	-	-			rel level	Released			
appr	Pei-Ming Zheng	2013/08/08	product family	PwrBlade					
		title	2P+4S+2P R/A STB RECEPTACLE		dwg no	51915-410		rev	A
www.fci.com		cat. no.	Product - Customer Drw			sheet 2 of 4			

PRODUCT NUMBER

51915-410__
NOTE 3



RECOMMENDED PCB LAYOUT

dr	Jackie Huang	2013/07/23	projection 	MM 	size	A4	scale	1:1	
eng	Jackie Huang	2013/08/08			ecn no	-			
chr	-	-			rel level	Released			
appr	Pei-Ming Zheng	2013/08/08	product family	PwrBlade					
	title	2P+4S+2P R/A STB RECEPTACLE			dwg no	51915-410		rev	A
www.fci.com	cat. no.	Product - Customer Drw			sheet 3 of 4				



Copyright FCI.

PRODUCT NUMBER

51915-410__
NOTE 3

NOTES:

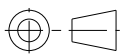
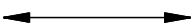

1. DIMENSIONS AND TOLERANCES ARE IN ACCORDANCE WITH ASME Y14.5M, 1994 UNLESS OTHERWISE SPECIFIED.

CONNECTOR NOTES:

- 2. HOUSING MATERIAL: UL 94 V-0 GLASS FILLED HIGH-TEMP THERMOPLASTIC
POWER CONTACT MATERIAL: COPPER ALLOY
SIGNAL PIN MATERIAL: COPPER ALLOY
- 3. SEE ITEM 5 & 6 IN PRINT 10064183 FOR PLATING SPEC OF 51915-410 AND 51915-410LF RESPECTIVELY.
- 4. MANUFACTURER'S NAME, DATE CODE AND OPTIONAL P/N TO APPEAR ON THIS SURFACE. THE MARK CAN BE OMITTED IF THERE IS NOT ENOUGH SPACE ON THIS SURFACE.
- 5. PRODUCT SPECIFICATION GS-12-149.
APPLICATION SPECIFICATION BUS-20-067.
- 6. PACKAGED IN TRAYS.

PCB NOTES:

- 7. ALL HOLE DIAMETERS ARE FINISHED HOLE SIZE.
- 8. MOUNTING HOLES, WHERE APPLICABLE, ARE UNPLATED.
- 9. $\varnothing 1.151 \pm 0.025$ DRILLED HOLES PLATED WITH
0.008 MIN SnPb OR Sn OVER 0.03
TO 0.08 Cu PLATING TO ACHIEVE
 $\varnothing 1.02 \pm .07$ HOLE.
- 10. CONNECTOR KEEP-OUT ZONE.
- 11. THE VOID CORING IN BETWEEN POWER MODULES, SIGNAL MODULES AND END MODULES ARE OPTIONAL AND THE SHAPE MAY BE DIFFERENT FOR OPTIMIZE THE MOLDING PROCESS. THE VOID CORING WILL NOT EFFECT TO PRODUCT FUNCTION.

dr	Jackie Huang	2013/07/23	projection 	MM 	size	A4	scale	1:1
eng	Jackie Huang	2013/08/08			ecn no	-		
chr	-	-			product family	PwrBlade	rel level	Released
appr	Pei-Ming Zheng	2013/08/08			title 2P+4S+2P R/A STB RECEPTACLE	dwg no 51915-410	rev A	
www.fci.com		cat. no.	Product - Customer Drw			sheet 4 of 4		



Copyright FCI.